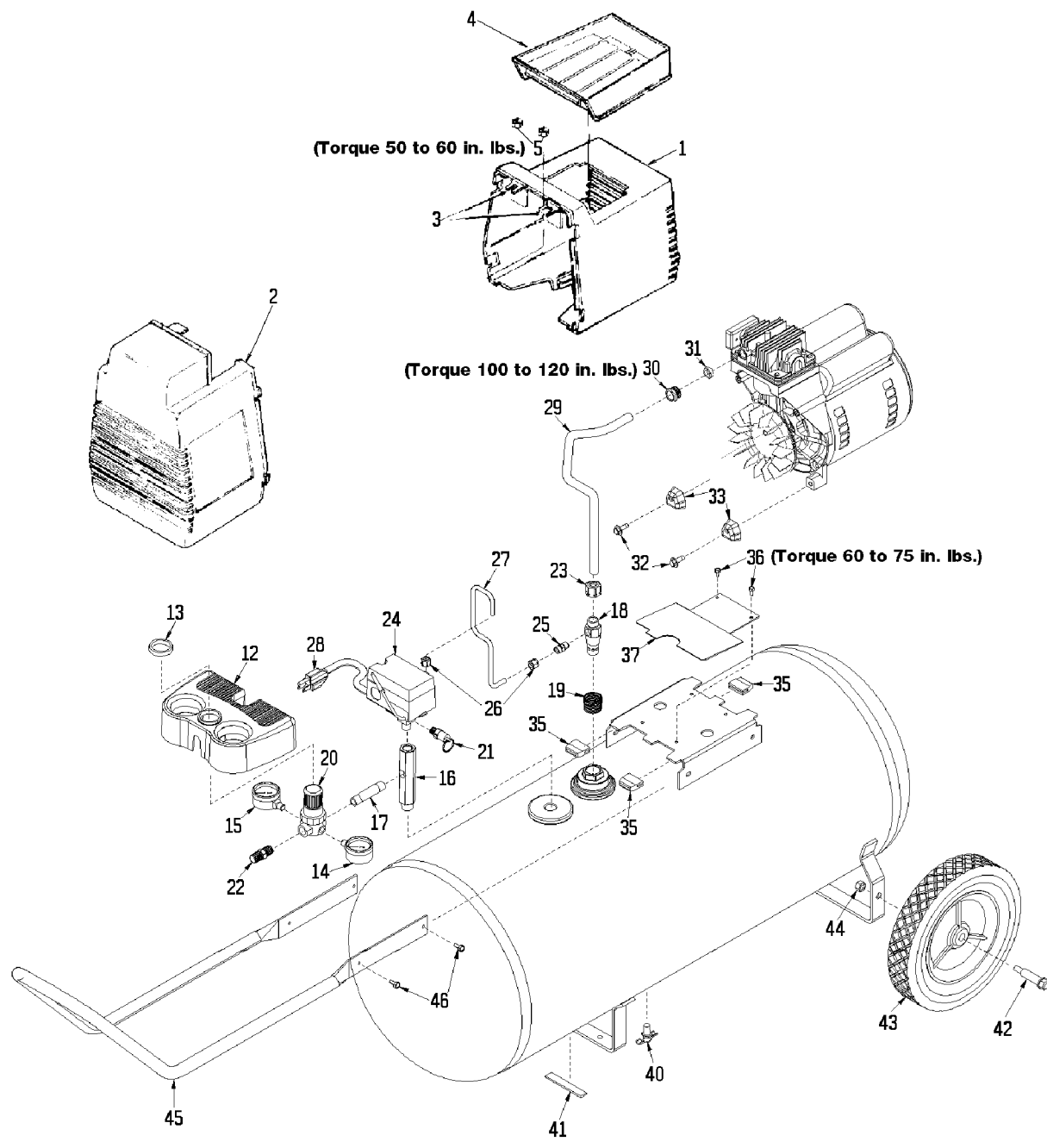


KEY NO.	TORQUE
55	7 to 10 Ft. Lbs.
56	7 to 10 Ft. Lbs.
66	100 to 120 In. Lbs.
69	80 to 100 In. Lbs.
◆	42 to 48 In. Lbs.



Parts List for IRF5020 Type 0

Item Number	Part Number	Description	Qty Required
1	AC-0046	SHROUD REAR 3PT SING	1
2	AC-0078	SHROUD FRONT BLK	1
3	CAC-1121	BRACKET SHROUD	2
4	CAC-1080	TRAY TOOL	1
5	038738-00	NUT	2
12	000000-00	No Longer Available	1
13	CAC-61	RING PANEL MOUNTING	1
14	AC-0009-1	GAUGE RIGHT HAND	1
15	Z-AC-0010-1	GAUGE LEFT HAND	1
16	AC-0027-2	STANDPIPE BRASS MALE	1
17	SSP-480	NIPPLE 1/4-18 NPT X	1
18	A19711	VALVE CHECK 1/2NPT X	1
19	000000-00	No Longer Available	1
20	AC-0007	REGULATOR 4PORT P1P2	1
21	97503734	VALVE SAFETY 150 .12	1
22	D26889	ADAPTER .25 NPT X .2	1
23	SSP-7813	ASSY NUT SLEEVE 3/8	1
24	5140112-18	PRESSURE SWITCH	1
25	SS-8553	CONNECTOR BODY	1
26	SSP-7811	ASSY NUT SLEEVE 1/4	2
27	AC-0028	TUBE PRES REL .250OD	1
28	SUDL-413-2	ASSY CORD POWER ST	1
29	AC-0125	TUBE OUTLET .375OD A	1
30	SSP-7821-1	NUT .563-18 UNF HEX	1
31	SSG-3105	ORING 306/296ID 073/	1
32	91895680	SCREW .250-20X.750 H	2
33	ACG-18	CUP SADDLE MOUNT	2

Parts List for IRF5020 Type 0

Item Number	Part Number	Description	Qty Required
35	ACG-19	ISOLATOR 3 POINT MOU	3
36	SSF-953-ZN	SCREW #10X.625 HHW S	2
37	AC-0047	GUARD FAN	1
40	N286039	DRAIN VALVE	1
41	SUDL-6-1	STRIP RUBBER FOOT	1
42	CAC-60	BOLT .375-16X2.25 UN	2
43	D23138	WHEEL 9 BLACK SEMI-P	2
44	SSF-8080-ZN	NUT .375-16 UNC-2B H	2
45	000000-00	No Longer Available	1
46	SSF-981	SCREW .250-14X.500 H	4
50	KK-4981	KIT MUFFLER FILTER	1
51	DAC-143	FILTER INTAKE	1
52	KK-4981	KIT MUFFLER FILTER	1
53	KK-4981	KIT MUFFLER FILTER	1
54	AC-0037	HEAD 3/8 OUTLET FRON	1
55	SSF-589	STUD 1/4 - 20 X 1.12	1
56	SSF-927	SCREW .250-20X1.125	1
57	ACG-45	ORING P/L HEAD	1
58	Z-AC-0032	ASSY VALVE PLATE	1
59	SSG-8156	ORING 2.759/2.719ID	1
60	KK-4835	KIT CONNECTING ROD L	1
61	KK-4835	KIT CONNECTING ROD L	1
62	Z-MO-9045	MOTOR P/L 3PT STD	1
65	Z-AC-0140	ASSY ECCENTRIC BEARI	1
66	SSF-990	SCREW .250-20X1.25 U	1
67	AC-0108	FAN 5.75 DIA	1
69	SSF-586	SCREW .250-20X.750 U	1

Parts List for IRF5020 Type 0

Item Number	Part Number	Description	Qty Required
70	SSF-3158-1	SCREW #10-24X.750 TH	1
71	KK-4835	KIT CONNECTING ROD L	1
856	KK-4315	KIT VALVE REPLACEMENT	1
856	KK-4835	KIT CONNECTING ROD L	1
856	KK-4981	KIT MUFFLER FILTER	1
856	KK-4315	KIT VALVE REPLACEMENT	1
856	D21217	KIT START CAPACITOR	1
856	D28993	SHIM .020 THICK PERM	1
856	K-0650	KIT COMP RING REPLAC	1