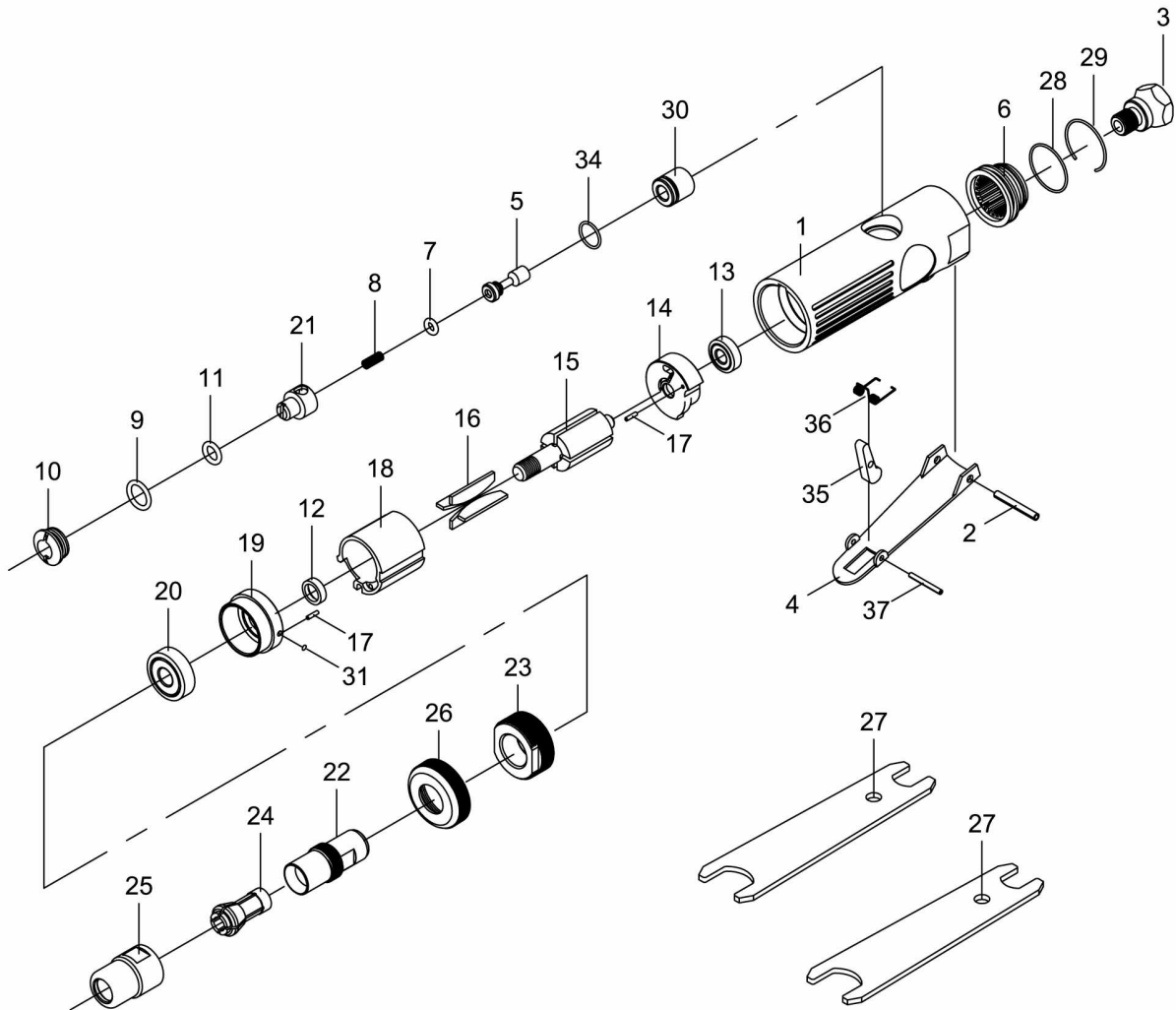




# JSM-532 1/4-inch Die Grinder

(parts list on reverse side)



## WMH TOOL GROUP

2420 Vantage Drive  
Elgin, Illinois 60124  
Ph.: 800-274-6848  
www.wmhtoolgroup.com

**Part No. M-JSM-532**  
Revision G 1/07  
Copyright © WMH Tool Group

## Parts List for JSM-532 Die Grinder

Index No.	Part No.	Description	Size	Qty
1	52201	Motor Housing		1
2	SM-30102	Spring Pin	Ø3 x 24L mm	1
3	52203	Air Inlet		1
4	53204	Throttle Lever		1
5	52205	Valve Stem		1
6	52206	Deflector		1
7	30107NPN	O-Ring	Ø3.8 x 1.9mm	1
8	52208	Spring		1
9	70109NPN	O-Ring	Ø9.8 x 1.9mm	1
10	52210	Valve Screw		1
11	40305	O-Ring	Ø6.5 x 2 mm	1
12	52212	Rotor Spacer		1
13	BB-696ZZ	Ball Bearing	696ZZ	1
14	52214	Rear End Plate		1
15	52215	Rotor		1
16	52216	Rotor Blade		4
17	30117NPN	Spring Pin	Ø1.5 x 6mm	2
18	52218	Cylinder		1
19	52219	Front End Plate		1
20	BB-608ZZ	Ball Bearing	608ZZ	1
21	52221	Controller		1
22	53222	Spindle		1
23	53223	Retainer		1
24	51224	Collet	1/4"	1
25	52225	Collet Nut		1
26	53226	Housing Cap		1
27	52227	Spanner		2
28	52235	O-Ring	Ø22.8 x 2mm	1
29	52229	Retaining Ring		1
30	52234	Bushing		1
31	SB-3/32	Steel Ball	3/32"	1
34	52236	O-Ring	Ø10.5 x 1mm	1
35	51540	Lever Bar		1
36	51541	Spring		1
37	51542	Spring Pin	Ø2 x 18L mm	1
	RPK-532	Repair Kit (Contains Index # 7, 8, 9, 11, 16, 28, 29)		