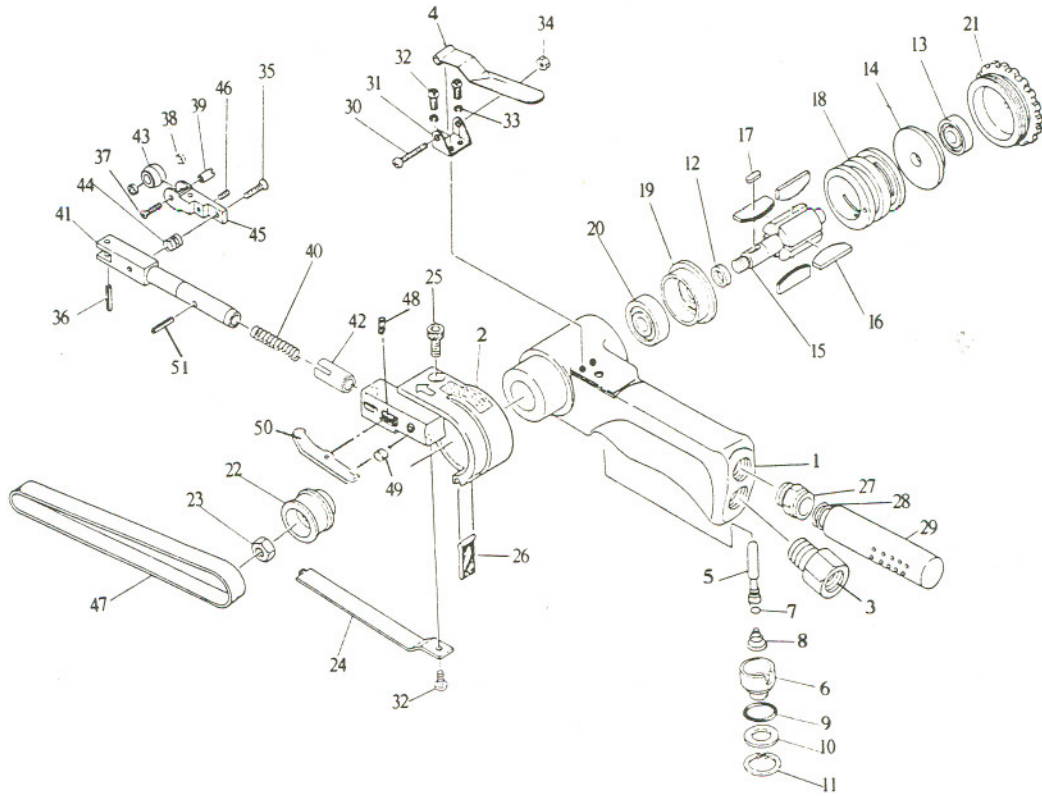


JSM-610 Belt Sander



| No | parts No | Parts Name | O'ty | price | No | parts No | Parts Name | O'ty | price |
|----|----------|--------------------------|------|-------|----|----------|---------------------------------------|------|-------|
| 1 | 61001 | Housing | 1 | | 27 | 61027 | Nipple | 1 | |
| 2 | 61002 | Guard Sub | 1 | | 28 | 61028 | Spring | 1 | |
| 3 | 61003 | Air Inlet | 1 | | 29 | 61029 | Silencer | 1 | |
| 4 | 61004 | Lever | 1 | | 30 | 61030 | Cross-Recessed Pan Head Machine Screw | 1 | |
| 5 | 61005 | Valve Stem | 1 | | 31 | 61031 | Lever Support | 1 | |
| 6 | 61006 | Adjust Valve | 1 | | 32 | 61032 | Cross-Recessed Pan Head Machine Screw | 3 | |
| 7 | 61007 | O Ring | 1 | | 33 | 61033 | Spring Washer | 2 | |
| 8 | 61008 | Spring | 1 | | 34 | 61034 | Hexagon Nut | 1 | |
| 9 | 61009 | O Ring | 1 | | 35 | 61035 | Cross-Recessed Pan Head Machine Screw | 1 | |
| 10 | 61010 | Spacer | 1 | | 36 | 61036 | Spring Pin | 1 | |
| 11 | 61011 | Retaining Ring | 1 | | 37 | 61037 | Cross-Recessed Pan Head Machine Screw | 1 | |
| 12 | 61012 | Spacer | 1 | | 38 | 61038 | Ball Bearing | 2 | |
| 13 | 61013 | Ball Bearing | 1 | | 39 | 61039 | Idle Pulley Shaft | 1 | |
| 14 | 61014 | Rear End Plate | 1 | | 40 | 61040 | Spring | 1 | |
| 15 | 61015 | Rotor | 1 | | 41 | 61041 | Tension Bar | 1 | |
| 16 | 61016 | Blade | 4 | | 42 | 61042 | Bushing | 1 | |
| 17 | 61017 | Sunk Key | 1 | | 43 | 61043 | Idle pulley | 1 | |
| 18 | 61018 | Cylinder | 1 | | 44 | 61044 | Spring | 1 | |
| 19 | 61019 | Front End Plate | 1 | | 45 | 61045 | Bracket | 1 | |
| 20 | 61020 | Ball Bearing | 1 | | 46 | 61046 | Hexagon Socket Headless Set Screw | 1 | |
| 21 | 61021 | Cap | 1 | | 47 | 61047 | Grinding Belt | 1 | |
| 22 | 61022 | Drive Pulley | 1 | | 48 | 61048 | Spring Pin $\phi 2.5 \times 8L$ | 1 | |
| 23 | 61023 | Hexagon Nut | 1 | | 49 | 61049 | Spring | 1 | |
| 24 | 61024 | Shoe | 1 | | 50 | 61050 | Safety Lever | 1 | |
| 25 | 61025 | Hexagon Socket Head Bolt | 1 | | 51 | 61051 | Lock Pin $\phi 3 \times 11.8L$ | 1 | |
| 26 | 61026 | Dust Cover | 1 | | | | | | |

RPK-610 Repair Kit: Contains part # 7,9,11,16,26

RBK-610 Rebuild Kit: Contains part # 35,36,37,38,39,43,44,45,46