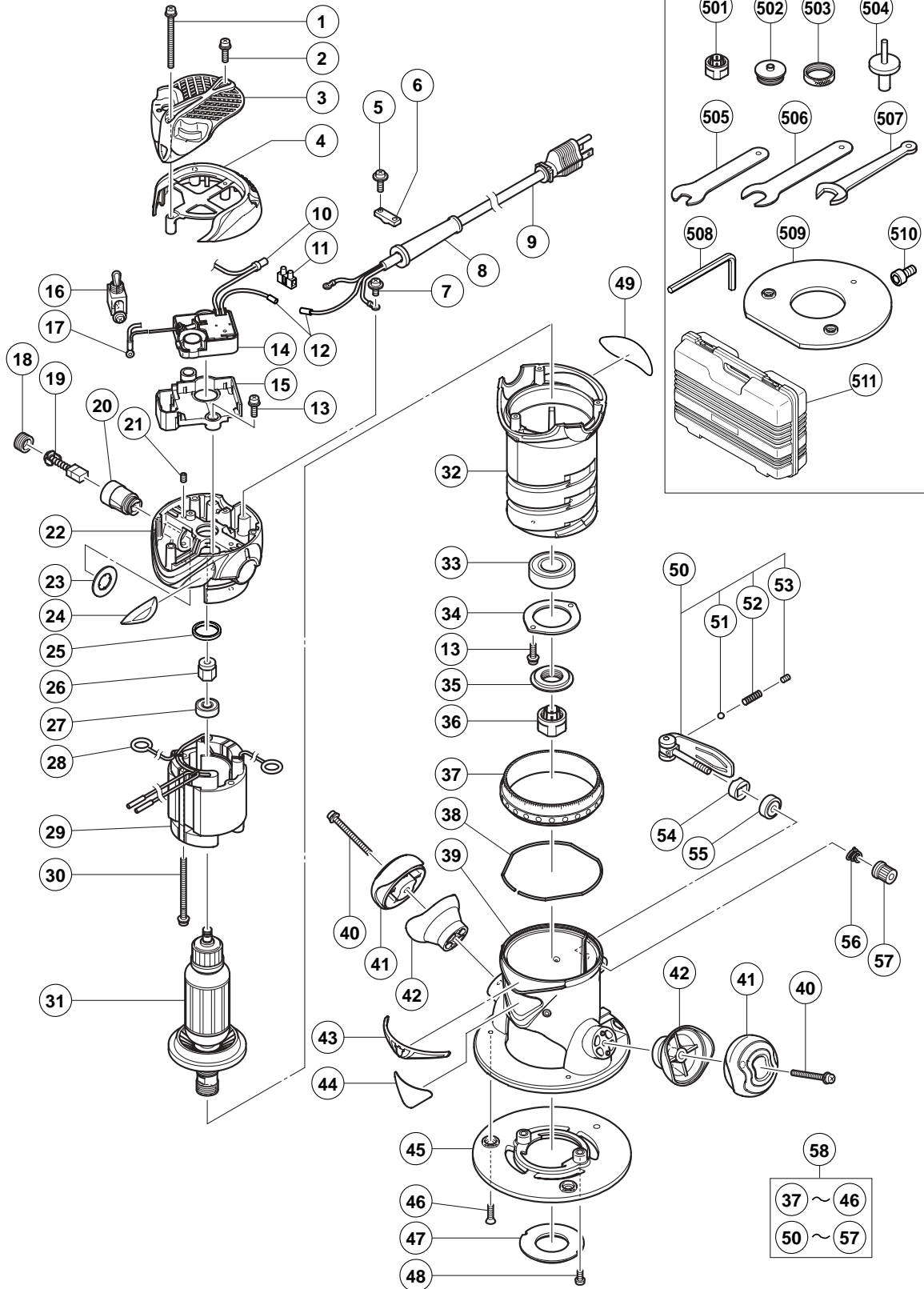
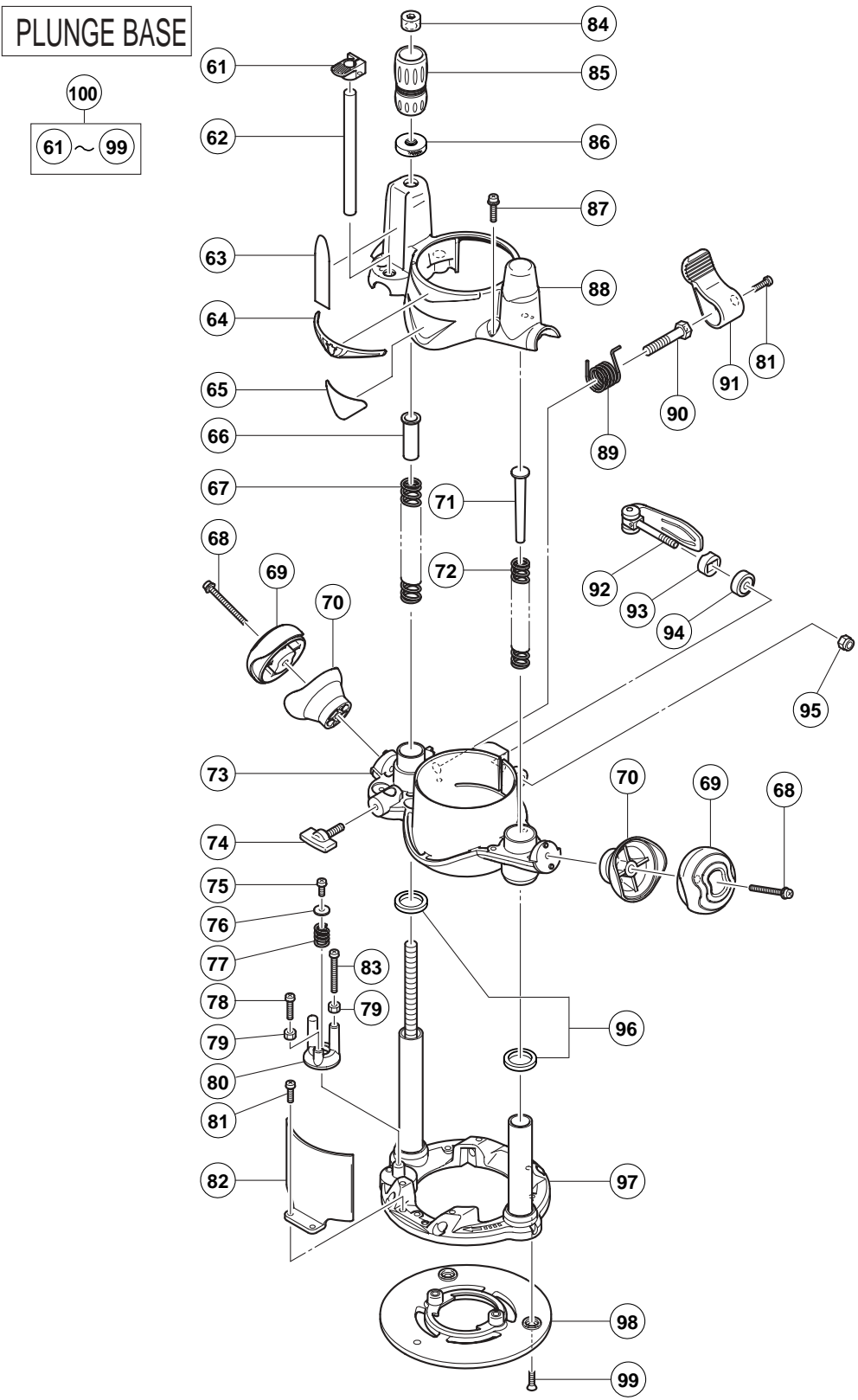


ELECTRIC TOOL PARTS LIST

ROUTER KIT
Model KM 12SC

2004 • 8 • 5
(E1)





PARTS

KM 12SC

ITEM NO.	CODE NO.	DESCRIPTION	NO. USED	REMARKS
1	307-365	MACHINE SCREW (W/WASHERS) M4X55 (BLACK)	3	
2	317-200	MACHINE SCREW (W/WASHERS) M4X8 (BLACK)	1	
3	323-306	HEAD COVER (B)	1	
4	323-266	HEAD COVER (A)	1	
5	954-878	MACHINE SCREW (W/WASHERS) M4X16	2	
6	937-631	CORD CLIP	1	
7	317-333	MACHINE SCREW (W/SP. WASHER) M4X6	1	
8	938-051	CORD ARMOR D10.1	1	
9	500-399Z	CORD	1	
10	959-141	CONNECTOR 50092 (10 PCS.)	1	
11	938-307	PILLAR TERMINAL	1	
* 12	981-373	TUBE (D)	2	FOR CORD
13	307-081	MACHINE SCREW (W/WASHERS) M4X12 (BLACK)	4	
14	323-307	CONTROLLER CIRCUIT	1	
15	323-274	SWITCH HOLDER	1	
16	955-509	SWITCH (1P SCREW TYPE)	1	
17	930-804	TERMINAL M4.0 (10 PCS.)	1	
18	935-829	BRUSH CAP	2	
19	999-043	CARBON BRUSH (1 PAIR)	2	
20	957-051	BRUSH HOLDER	2	
21	938-477	HEX. SOCKET SET SCREW M5X8	2	
22	323-256	STATOR HOLDER ASS'Y	1	INCLUD. 20, 21
23	930-706	STOP PLATE	2	
24	323-552	HITACHI PLATE (C)	1	
25	323-420	RUBBER RING	1	
26	307-093	MAGNET	1	
27	608-VVM	BALL BEARING 608VVC2PS2L	1	
28	930-703	BRUSH TERMINAL	2	
29	340-595D	STATOR ASS'Y 120V	1	INCLUD. 28
30	943-430	MACHINE SCREW (W/SP. WASHER) M5X60	2	
31	360-668U	ARMATURE ASS'Y 120V	1	INCLUD. 27, 33
32	323-255	HOUSING	1	
33	600-4VV	BALL BEARING 6004VVCMP2L	1	
34	323-257	BEARING COVER	1	
35	323-258	THRUST NUT	1	
36	323-421	COLLET CHUCK 1/2"	1	
37	323-260	RING	1	
38	323-264	STOPPER PIN	1	
39	323-259	BASE (A)	1	
40	323-263	MACHINE SCREW (W/WASHERS) M6X40 (BLACK)	2	
41	323-261	HANDLE (B)	2	
42	323-262	HANDLE (A)	2	
43	323-423	DECORATION PLATE (B)	1	
44	323-422	HITACHI PLATE (A)	1	
45	323-265	SUB BASE (A)	1	
46	949-332	FLAT HD. SCREW M5X12 (10 PCS.)	3	
47	323-272	TEMPLATE GUIDE ADAPTER	1	
48	949-234	MACHINE SCREW M5X6 (10 PCS.)	2	
49		NAME PLATE	1	
50	323-270	LEVER (A) ASS'Y	1	INCLUD. 51-53
51	959-155	STEEL BALL D3.97 (10 PCS.)	1	

PARTS

KM 12SC

ITEM NO.	CODE NO.	DESCRIPTION	NO. USED	REMARKS
52	982-454	SPRING (C)	1	
53	938-477	HEX. SOCKET SET SCREW M5X8	1	
54	323-268	LEVER SLEEVE	1	
55	323-269	LEVER HOLDER	1	
56	306-024	SPRING	1	
57	323-271	KNOB NUT	1	
58	323-348	FIXED BASE ASS'Y	1	INCLUD. 37-46, 50, 54-57
61	323-287	MARKER	1	
62	323-286	STOPPER POLE	1	
63	323-279	SCALE (INCH)	1	
64	323-423	DECORATION PLATE (B)	1	
65	323-422	HITACHI PLATE (A)	1	
66	323-288	SPRING GUIDE (L)	1	
67	323-289	SPRING (L)	1	
68	323-263	MACHINE SCREW (W/WASHERS) M6X40 (BLACK)	2	
69	323-261	HANDLE (B)	2	
70	323-262	HANDLE (A)	2	
71	323-290	SPRING GUIDE (R)	1	
72	323-291	SPRING (R)	1	
73	323-275	HOUSING HOLDER	1	
74	301-806	WING BOLT M6X15	1	
75	949-216	MACHINE SCREW M4X10 (10 PCS.)	1	
76	323-282	WASHER	1	
77	971-858	SPRING (A)	1	
78	302-196	MACHINE SCREW M5X20 (BLACK)	1	
79	302-012	NUT M5 (BLACK)	2	
80	323-281	STOPPER BLOCK	1	
81	307-081	MACHINE SCREW (W/WASHERS) M4X12 (BLACK)	3	
82	323-292	CHIP COVER	1	
83	302-197	MACHINE SCREW M5X35 (BLACK)	1	
84	949-560	NUT M10 (10 PCS.)	1	
85	323-278	KNOB	1	
86	323-428	SPECIAL NUT (A) M10	1	
87	307-294	MACHINE SCREW (W/WASHERS) M5X16 (BLACK)	4	
88	323-277	HOLDER COVER	1	
89	323-284	LOCK SPRING	1	
90	323-285	LOCK SCREW	1	
91	323-283	LEVER (B)	1	
92	323-280	LEVER (A)	1	
93	323-268	LEVER SLEEVE	1	
94	323-269	LEVER HOLDER	1	
95	311-144	NYLON NUT M6	1	
96	323-426	FELT	2	
97	323-276	BASE (B)	1	
98	323-265	SUB BASE (A)	1	
99	949-332	FLAT HD. SCREW M5X12 (10 PCS.)	3	
100	323-349	PLUNGE BASE ASS'Y	1	INCLUD. 61-99

