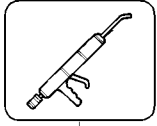


KR400  
KR450  
KR500  
KR531  
CD200

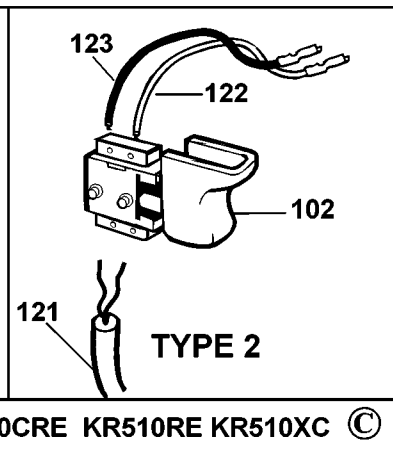
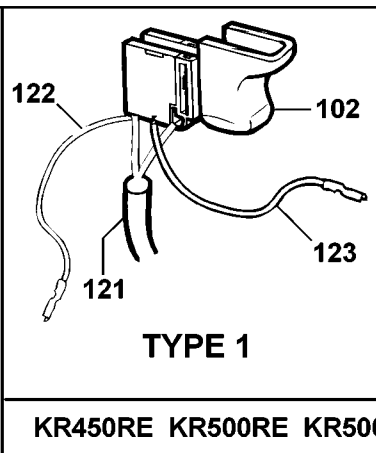
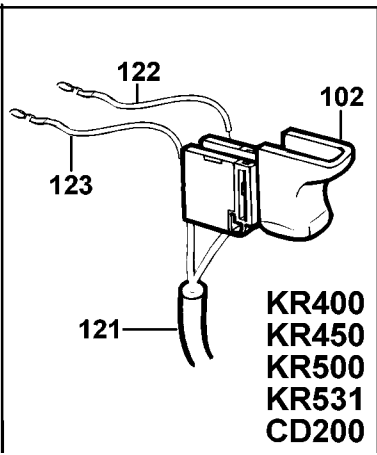
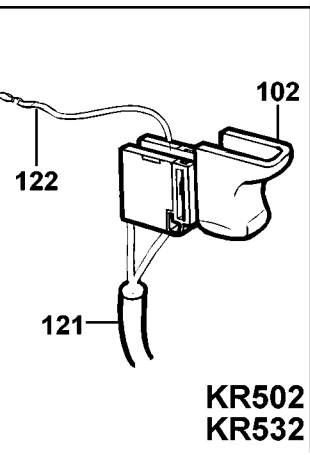
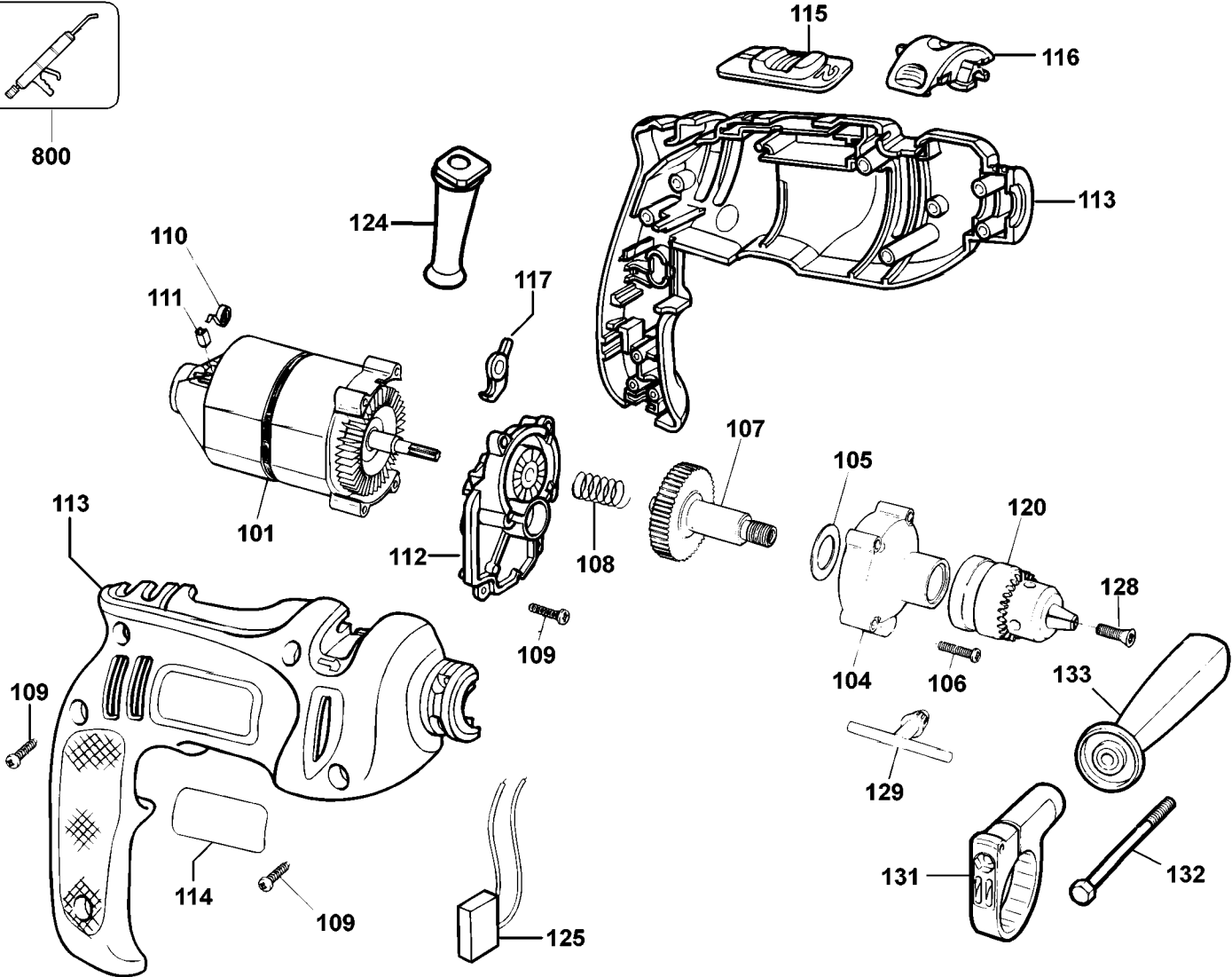
KR510XC  
KR450RE  
KR500RE  
KR500CRE  
KR510RE

KR502  
KR532

KR510XC  
KR500CRE



800



KR450RE KR500RE KR500CRE KR510RE KR510XC ©

## Parts List for KR502-B3 Type 1

Item Number	Part Number	Description	Qty Required
101	575257-00	MOTOR ASSEMBLY	1
102	375157-01	SWITCH	1
103	000000-00	No Longer Available	1
104	000000-00	No Longer Available	1
105	000000-00	No Longer Available	1
106	000000-00	No Longer Available	4
107	185851-03	SPINDLE	1
108	821986-00	SPRING	1
109	5103541-00	SCREW	11
110	747634-00	SPRING,BRUSH	2
111	832998-05	BRUSH	1
112	000000-00	No Longer Available	1
113	375147-05	CLAMSELL SET	1
114	375148-06	BRAND LABEL	1
115	000000-00	No Longer Available	1
116	375164-02	ACTUATOR	1
117	186452-00	THRUST PLATE	1
120	330033-15	CHUCK,10MM	1
121	808704-12	CORDSET	1
122	571507-00	LEAD GREY	1
123	000000-00	No Longer Available	1
124	770236-00	PROTECTOR,CORD	1
125	807285-08	CAPACITOR	1
128	805434	SCREW, SPECIAL	1
129	330034-07	CHUCK KEY	1
800	870889-02	GREASE	1