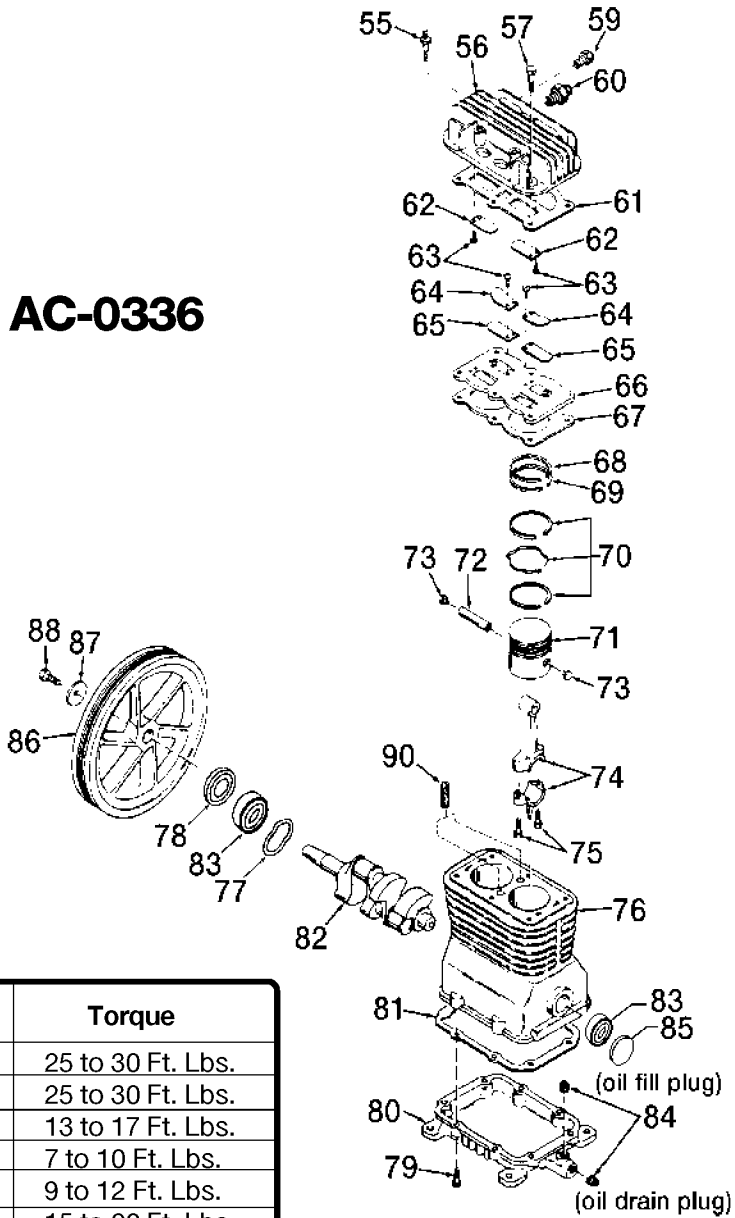


# AC-0336



Key No.	Torque
55	25 to 30 Ft. Lbs.
57	25 to 30 Ft. Lbs.
63	13 to 17 Ft. Lbs.
75	7 to 10 Ft. Lbs.
79	9 to 12 Ft. Lbs.
88	15 to 20 Ft. Lbs.

### Recommended Oils - One Stage Compressor Units

Use a compressor oil such as SAE 20-20W SF motor oil. (Crankcase oil capacity is 16 fluid ounces.) Under extreme winter conditions use 10 weight oil. Multiviscosity oil, 10W30, will leave carbon deposits on critical components, reducing performance and compressor life.

## Parts List for L320 Type 4

Item Number	Part Number	Description	Qty Required
1	CAC-322	BELTGUARD OUTSIDE	1
2	CAC-323	BELTGUARD INSIDE	1
3	SSF-8113-ZN	NUT .375-16X.563 HEX	1
4	000000-00	No Longer Available	1
5	000000-00	No Longer Available	1
6	265-17	FILTER FELT	1
7	265-18	RETAINER FILTER	1
8	CAC-61	RING PANEL MOUNTING	1
9	5140123-08	SCREW	2
10	SSP-7812	ASSY NUT SLEEVE 1/2	2
11	AC-0041	TUBE OUTLET .500OD A	1
12	97503734	VALVE SAFETY 150 .12	1
13	Z-AC-0010-1	GAUGE LEFT HAND	1
14	SSP-7811	ASSY NUT SLEEVE 1/4	2
15	AC-0028	TUBE PRES REL .250OD	1
17	000000-00	No Longer Available	1
18	D26889	ADAPTER .25 NPT X .2	1
21	AC-0027-2	STANDPIPE BRASS MALE	1
22	AC-0009-1	GAUGE RIGHT HAND	1
23	SUDL-413-2	ASSY CORD POWER ST	1
25	SS-8553	CONNECTOR BODY	1
26	5140112-18	PRESSURE SWITCH	1
27	CAC-4215-1	ASSY CORD MOTOR SJT	1
28	SSP-480	NIPPLE 1/4-18 NPT X	1
29	A19715	VALVE CHECK 1/2NPT X	1
30	SSF-928	SCREW .313-18X.875 H	4
31	CAC-1013	SCREW HOLD DOWN	1

## Parts List for L320 Type 4

Item Number	Part Number	Description	Qty Required
33	CAC-1011	SPRING ELASTOMER	1
34	SSN-56-ZN	WASHER 1 X 11/32 X 1	1
35	N017772	LOCK WASHER	1
36	SS-2038-ZN	NUT .313-18 WING	1
37	000000-00	No Longer Available	1
38	CAC-1059	CLIP RETAINING	2
39	SUDL-6-1	STRIP RUBBER FOOT	1
40	CAC-60	BOLT .375-16X2.25 UN	2
41	D23138	WHEEL 9 BLACK SEMI-P	2
42	SSF-8080-ZN	NUT .375-16 UNC-2B H	2
43	N286039	DRAIN VALVE	1
49	SUDL-65	KEY MOTOR SHAFT	1
50	000000-00	No Longer Available	1
51	SS-391	SCREW .250-20 .625 S	1
52	C-BT-222	BELT 6J 38.0 EFF	1
53	D26742	SCREW #10-16 X .500	2
54	000000-00	No Longer Available	1
55	SSF-6627	STUD SHOULDER 3/8-16	1
56	Z-CAC-4213	ASSY HEAD	1
57	SSF-955	SCREW .375-16X1.50 H	5
59	SS-1215	PLUG PIPE GALV 1/8	1
60	SSP-9401	CONNECTOR BODY STRAI	1
61	5140118-80	GASKET	1
62	KK-4275	KIT VALVE	1
63	KK-4275	KIT VALVE	1
64	CAC-294	PLATE RESTRICTOR	2
65	KK-4275	KIT VALVE	1

## Parts List for L320 Type 4

Item Number	Part Number	Description	Qty Required
66	Z-CAC-4212-1	ASSY VALVE PLATE	1
67	CAC-1265-2	USE Z-CAC-1265-2	1
68	000000-00	No Longer Available	1
69	000000-00	No Longer Available	1
70	000000-00	No Longer Available	1
71	CAC-55-1	PISTON MACHINE DWG 2	2
72	265-19	PIN PISTON	2
73	CAC-207	PLUG PISTON PIN	4
74	265-410	ASSY CONNECTING ROD	1
75	SSF-927	SCREW .250-20X1.125	4
76	Z-AC-0205	CRANKCASE & CYLINDER	1
77	SSN-1018	WASHER WAVY SPRING 2	1
78	AC-0169	SEAL OIL	1
79	SSF-925	SCREW .250-20X.875 H	8
80	000000-00	No Longer Available	1
81	265-16-1	GASKET BASE	1
83	SST-104	BEARING 6205C3	2
84	SSP-486	PLUG PIPE 3/8 - 18 N	2
85	SSP-505	PLUG 52MM OIL	1
86	265-2	FLYWHEEL 10 OD CI PO	1
87	SSN-1014-ZN	WASHER .339/.344 ID	1
88	SSF-3039-ZN	SCREW .313-18X.750 H	1
90	265-6	VENT FILTER	2
856	000000-00	No Longer Available	1
856	5140118-39	GASKET KIT	1
856	5140123-08	SCREW	1
856	KK-4275	KIT VALVE	1

## Parts List for L320 Type 4

Item Number	Part Number	Description	Qty Required
856	265-17	FILTER FELT	1
856	265-18	RETAINER FILTER	1