

# Service Manual

**Cordless Drill & Driver**

**Cordless Hammer Drill & Driver**

**Model No. LDD-216**

**LHD-216**

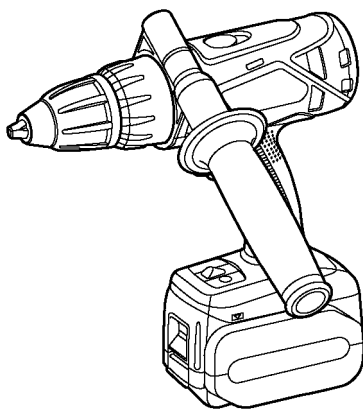
**Sub model No.**

**EY7460**

**EY7960**

**GREENLEE brand**

**North America**



Please file and use this manual together with the service manual for Model No. EY7460 and EY7960, Order No. PTD0810U44CE.

## **⚠ WARNING**

This service information is designed for experienced repair technicians only and is not designed for use by the general public. It does not contain warnings or cautions to advise non-technical individuals of potential dangers in attempting to service a product. Products powered by electricity should be serviced or repaired only by experienced professional technicians. Any attempt to service or repair the product or products dealt with in this service information by anyone else could result in serious injury or death.

## **IMPORTANT SAFETY NOTICE**

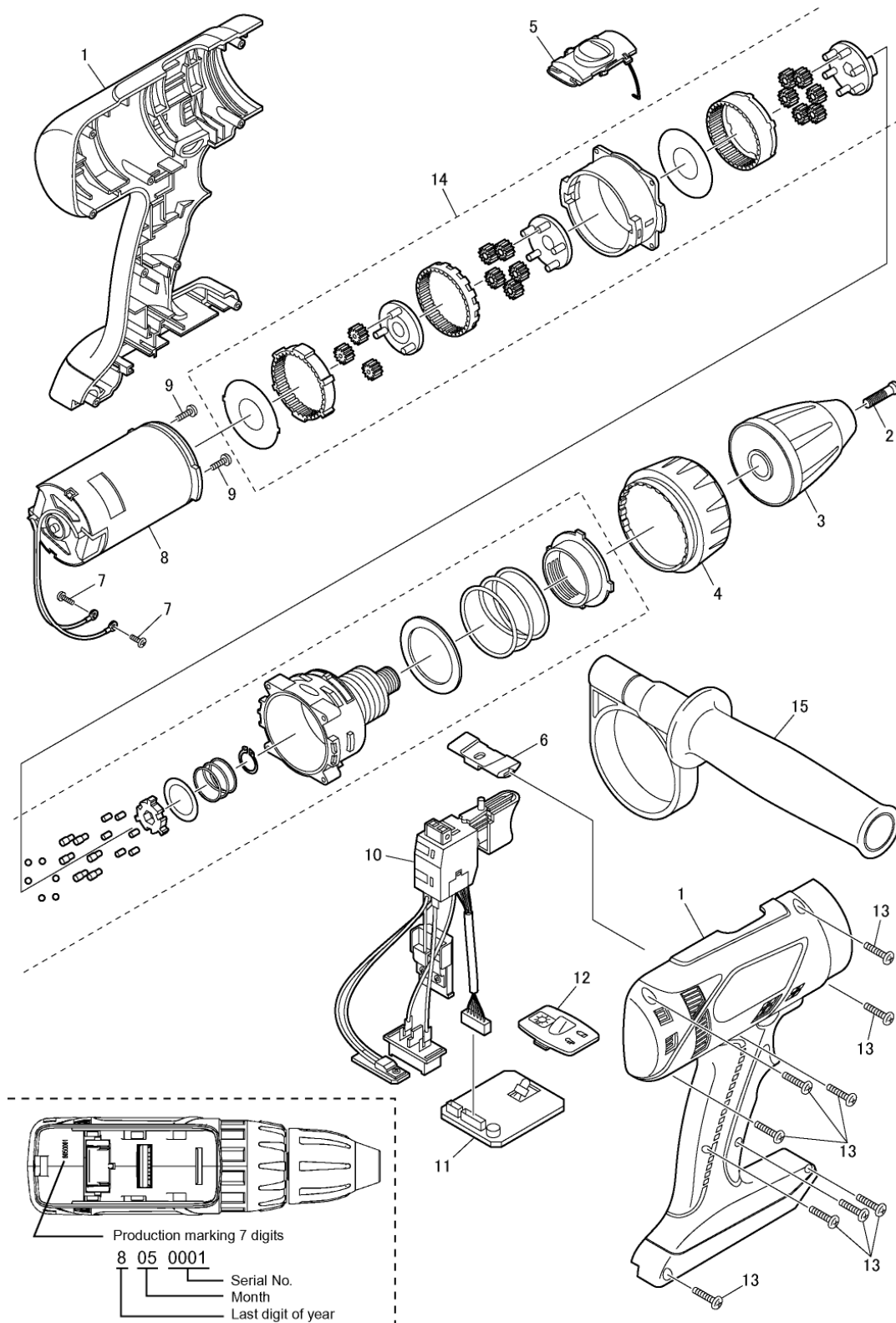
There are special components used in this equipment which are important for safety. These parts are marked by ⚠ in the Schematic Diagrams, Circuit Board Diagrams, Exploded Views and Replacement Parts List. It is essential that these critical parts should be replaced with manufacturer's specified parts to prevent shock, fire or other hazards. Do not modify the original design without permission of manufacturer.

## **TABLE OF CONTENTS**

|  | PAGE | PAGE |
|--|------|------|
| 1 Exploded View and Replacement Parts List ----- | 2    |      |

# 1 Exploded View and Replacement Parts List

Model No. : LDD-216 Exploded View for LDD-216



**Model No. : LDD-216 Parts List**

| Safety  | Ref. No. | Part No.     | Part Name & Description | Q'ty | Remarks |
|---------|----------|--------------|-------------------------|------|---------|
| LDD-216 |          |              |                         |      |         |
|         | 1        | WEZ7460G0010 | HOUSING AB SET          | 1    |         |
|         | 2        | WEY6450L6806 | CHUCK FASTENING SCREW   | 1    |         |
|         | 3        | WEY6450K7915 | KEYLESS CHUCK           | 1    |         |
|         | 4        | WEY7460H3228 | CLUTCH HANDLE           | 1    |         |
|         | 5        | WEY7460H3238 | H/L CHANGE HANDLE       | 1    |         |
|         | 6        | WEY7460H3248 | F/R SELECTOR HANDLE     | 1    |         |
|         | 7        | WEY7460S6028 | SEMS SCREW              | 2    | (K3*6)  |
|         | 8        | WEY7460L1008 | DC MOTOR                | 1    |         |
|         | 9        | WEY7460S6038 | SEMS SCREW              | 2    | (K5*6)  |
|         | 10       | WEY7460K2008 | SWITCH                  | 1    |         |
|         | 11       | WEY7460L2118 | CONTROL PCB             | 1    |         |
|         | 12       | WEY7460K3958 | OPERATION PANEL         | 1    |         |
|         | 13       | WEY6405K9218 | TORX TAPPING SCREW      | 9    | (K3*20) |
|         | 14       | WEY7460L1458 | GEAR BOX BLOCK          | 1    |         |
|         | 15       | WEY7460K4628 | SUPPORT HANDLE          | 1    |         |
|         | -        | WEZ7460G0020 | TOOL CASE               | 1    |         |