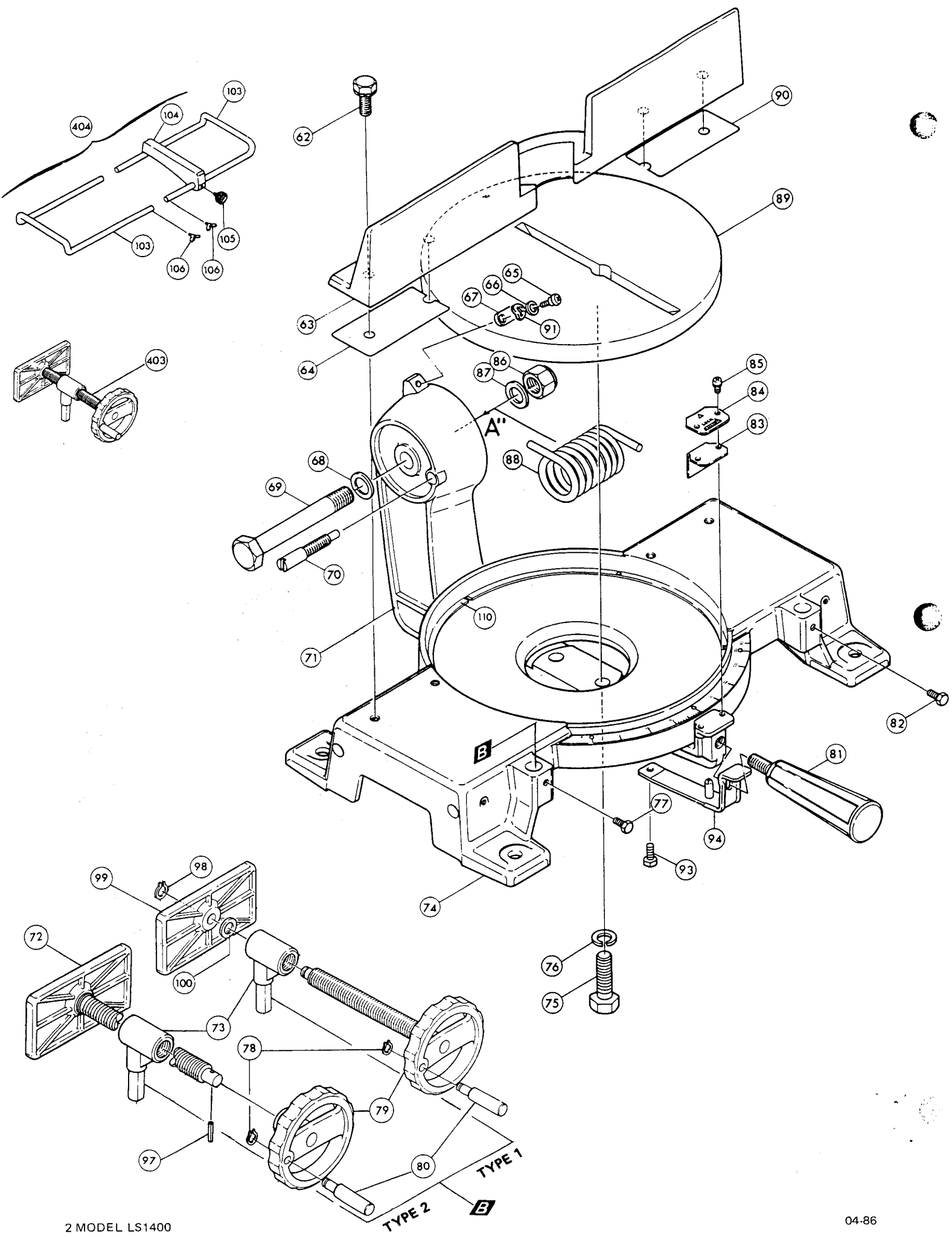


IMPORTANT! – To assure product **SAFETY** and **RELIABILITY**, repairs should be performed by **MAKITA** Service Centers or other qualified service organizations. Always use **MAKITA** replacement parts.

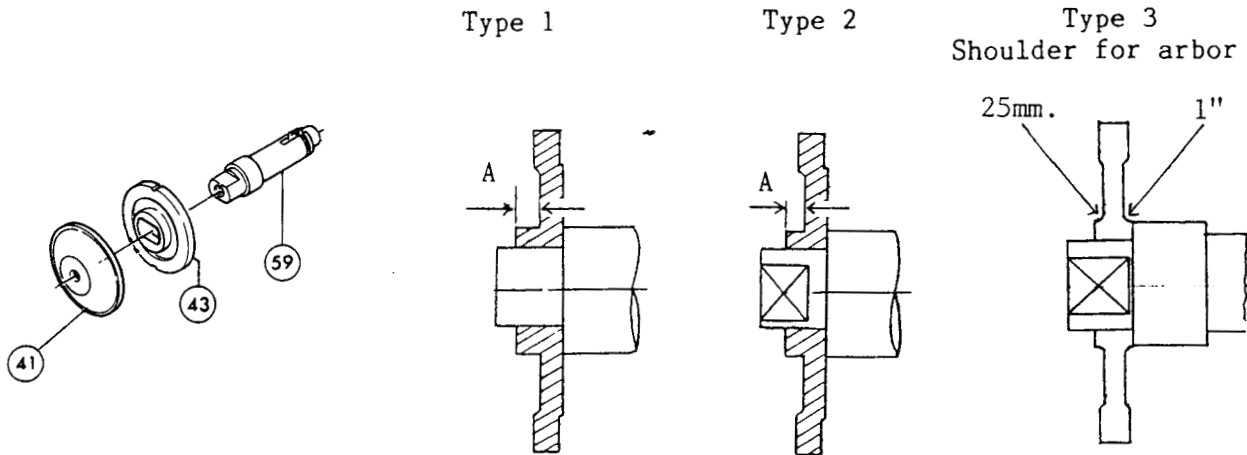


Item No.	Part No.	No. Used	Description	Item No.	Part No.	No. Used	Description
1	411466-3	1	BAFFLE PLATE	59	*	1	SPINDLE
2	211106-1	1	BALL BEARING 6201LLB	60	285649-9	1	BEARING RETAINER
3	241048-5	1	FAN	61	912231-8	4	SCREW M5X20
4	***	1	ARMATURE ASSEMBLY (Assembled Items 3, 4, 6 & 7)	62	921551-9	4	BOLT M10X30
5	925288-0	2	BOLT M5X65	63	315054-7	1	GUIDE RULE
6	681607-7	1	INSULATION WASHER	64	341445-6	1	SHIM
7	211068-3	1	BALL BEARING 6200LB	65	****	1	SCREW M6
8	624511-7	1	FIELD ASSEMBLY (With Item No. 14)	66	253309-1	1	THIN WASHER 8 (TYPE 1 ONLY)
9	263002-9	1	RUBBER PIN 4	67	****	1	STOPPER
10	911158-9	**	SCREW M4X30	68	253771-0	1	WASHER 16
11	643154-6	2	CARBON BRUSH (CB-154)	69	251698-8	1	BOLT M16
12	643650-4	2	BRUSH HOLDER CAP	70	251954-6	1	SCREW M10
13	**	1	MOTOR HOUSING (With 2 ea. Brush Holder 643653-8 & Screw M5X6 913201-0)	71	****	1	ARM
14	654020-2	2	GARTER SPRING	72	163133-3	1	VICE (TYPE 2)
15	**	1	HANDLE COVER	73	314095-0	1	VICE ARM
16	953106-2	4	RIVET	74	154256-8A	1	BASE (With Scale Plate 816012-1, Rivet 953206-8 & Item 110)
18	911128-8	2	SCREW M4X16	75	921671-9	2	BOLT M12X50
19	411467-1	1	CLAMP COVER	76	942301-9	2	WASHER 12
20	911131-9	2	SCREW M4X18	77	265210-8	1	BOLT M8X14
21	687001-1	1	STRAIN RELIEF	78	961006-2	1	RETAINING RING S-10
22	163100-8	1	SHAFT LOCK	79	154255-0	1	VICE HANDLE (TYPE 1)
23	411468-9	1	CLAMP BASE		271003-3	1	VICE HANDLE (TYPE 2)
24	682505-8	1	CORD GUARD	80	273437-6	1	VICE GRIP
25	664265-4	1	CORD With Plug (2X16X8;SJ)	81	273436-8A	1	HANDLE
26	911101-8	1	SCREW M4X6	82	265210-8	1	BOLT M8X14
27	651115-2	1	SWITCH	83	341444-8	1	PLATE
28	213459-4	1	O RING 32	84	816007-4	1	INDICATION PLATE
29	285648-1	1	BEARING RETAINER	85	911108-4	2	P.H. SCREW M4X8
30	931501-6	1	NUT M10	86	252044-8	1	H.L. NUT M16-24
31	941252-3	1	WASHER 10	87	253771-0	1	F. WASHER 16
32	251959-6	1	SCREW M10X80	88	231533-6	1	TORSION SPRING 33
33	411479-4	1	CUSHION	89	315056-3	1	TURN TABLE
34	911239-9	1	SCREW M5X22	90	341445-6	1	SHIM
35	312981-9	1	ELBOW	91	253948-7	1	WAVE WASHER
36	213460-9	1	O RING	93	921421-2	1	HEX BOLT M8X16
38	155277-3	1	BLADE CASE	94	163175-7	1	KNOCK SPRING
39	411560-1	2	GUIDE BUTTON	95	411478-6	1	LOCK-OFF BUTTON
40	251637-8	1	BOLT M8X20	96	931102-0	**	HEX NUT M4
41	*	1	OUTER FLANGE	97	951166-8	1	SPRING PIN
42	155278-1	1	SAFETY COVER	98	961052-5	1	RETAINING RING (TYPE 1)
43	*	1	INNER FLANGE	99	312983-5	1	VICE PLATE (TYPE 1)
44	251276-4	1	SCREW M6X52	100	253744-3	1	WASHER (TYPE 1)
45	941152-7	1	WASHER 6	101	652014-1	6	PAN HD. SCREW M4X8
46	942151-2	1	WASHER 6	103	322027-3	2	HOLDER
47	931303-0	1	HEX NUT M6	104	312511-6	1	SET PLATE
48	911121-2	2	SCREW M4X14	105	251804-5	1	SCREW M6X12
49	911136-9	2	SCREW M4X20	106	924206-5	2	WING SCREW M5X10
50	315052-1	1	GEAR HOUSING	107	411477-8	1	STOPPER
51	911936-7	4	SCREW M5X80	108	231531-0	1	TORSION SPRING
52	212113-7	1	NEEDLE BEARING 1212	109	122321-1	1	DUST BAG (With Fastener 410602-8)
53	961060-6	1	RETAINING RING S-20	110	341443-0	3	BASE SHIM
54	***	1	GEAR	ACCESSORIES			
55	315055-5	1	BEARING BOX	400	782212-4	1	SOCKET WRENCH 13
56	211306-3	1	BALL BEARING 6204LLB	401	721610-7	1	COMBINATION SAW BLADE
57	253327-9	1	WASHER	403	133101-0	1	VICE ASSEMBLY
58	254203-0	1	KEY 4	404	1912397	1	HOLDER SET (Include Item No. 103-106)

SERVICE CHANGE

1. Changes on Flanges.

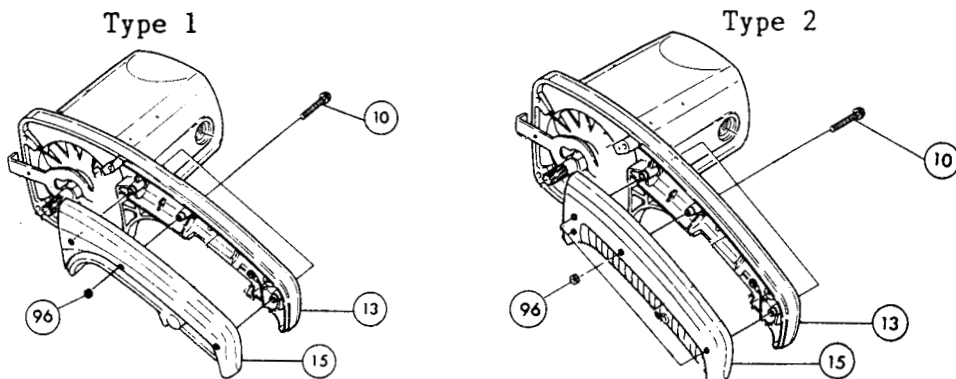
Identify the type by inner flange.



Item No.	Description	Type 1	Type 2	Type 3
41	Outer Flange	Part #224008-2	Part #224165-6	
43	Inner Flange	Part #224009-0 A=13/64"	Part #224166-4 A=1/8"	Part #224181-8
59	Spindle	Part #321089-8		Part #321089-8A

The above changes are completely interchangeable as a set.

2. Changes on Housings.



The Handle Cover has 3 screwholes.

The Handle Cover has 4 screwholes.

Item No.	Description	Type 1	Type 2
10	Screw	Use 3 pcs.	Use 4 pcs.
13	Motor Housing	Part #156444-3	Part #156644-5
15	Handle Cover	Part #411476-0	Part #411719-0
96	Hex. Nut	Use 3 pcs.	Use 4 pcs.

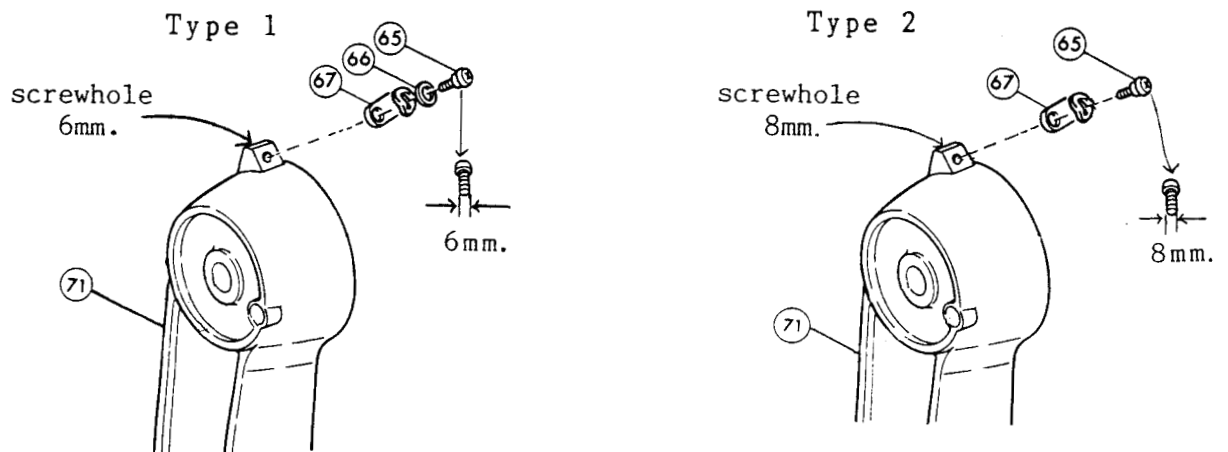
The above parts are completely interchangeable as a set.

3. Changes on Armature and Gear.

Item No.	Description	Type 1	Type 2
4	Armature	Part #614560-2	Part #614701-0
54	Gear	Part #221650-0	Part #221707-7

The above parts are completely interchangeable as a set.

4. Changes on Arm.



Item No.	Description	Type 1	Type 2
65	P.H. Screw	Part #251267-5	Part #251298-4
66	Thin Washer 8	Part #253309-1	-----
67	Stopper	Part #341511-9	Part #341926-0
71	Arm	Part #311437-9A	Part #311737-7

The above parts are completely interchangeable as a set.