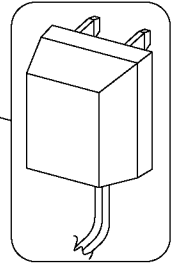
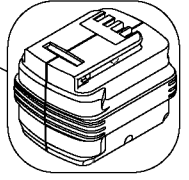


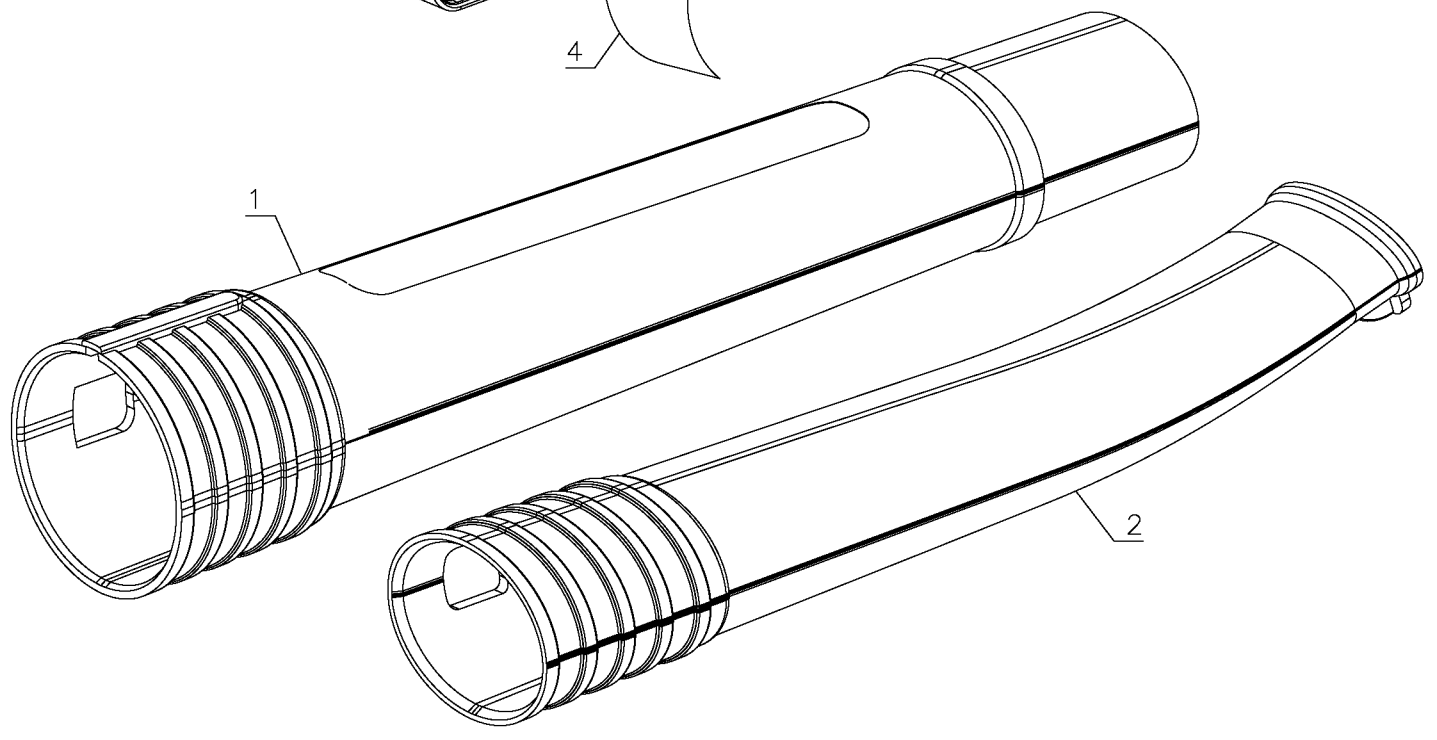
871



866



DATE CODE



Parts List for LSW36 Type 1

Item Number	Part Number	Description	Qty Required
1	90571365	TUBE, UPPER	1
2	90571366	BLOWER TUBE	1
3	90579831	BLOWER ASSY	1
4	90581981	NAME PLATE	1
866	LBXR36	BATTERY	1
871	90567393-00	CHARGER	1