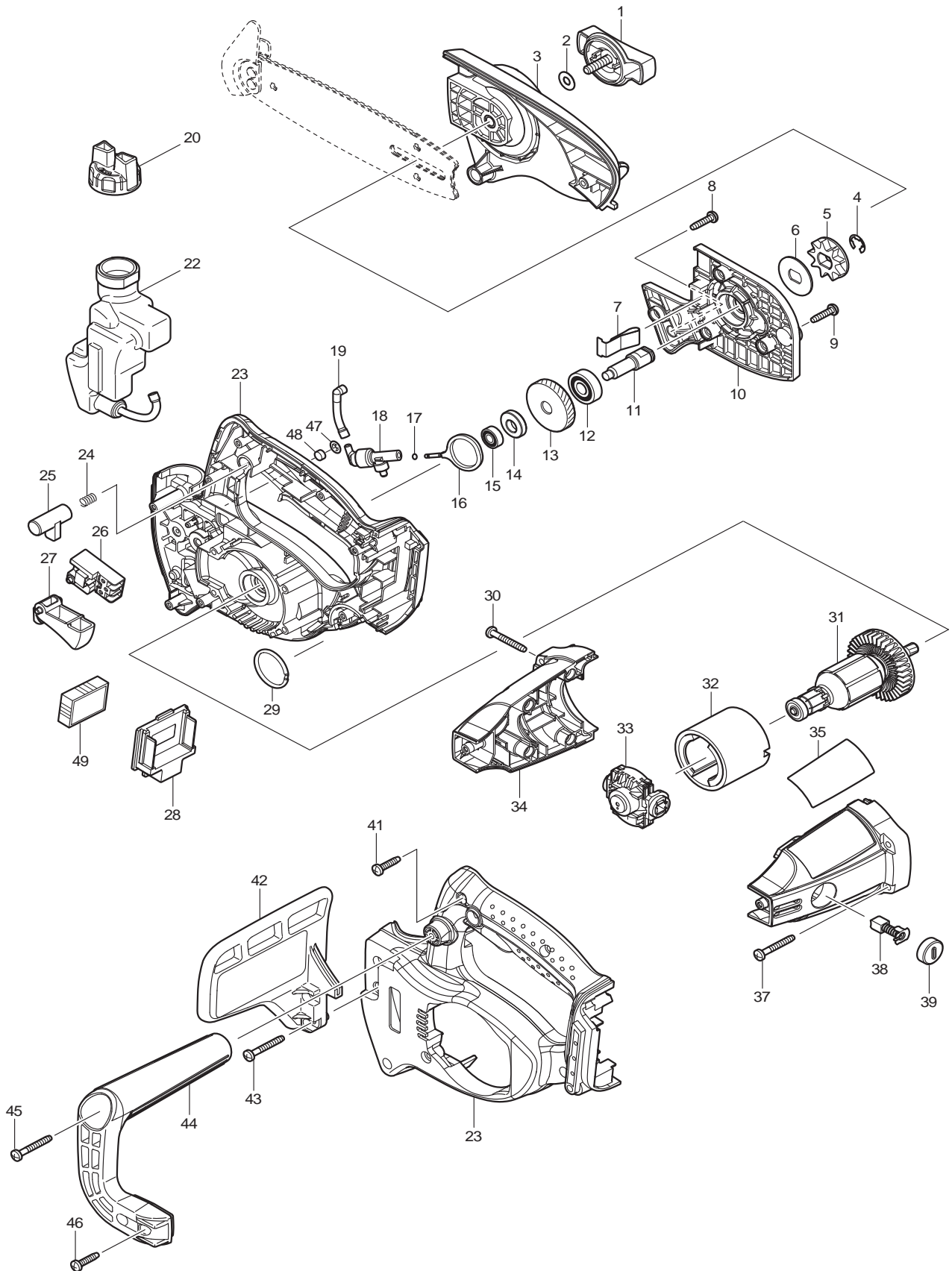




02 - 2013
LXCU01Z
18V 4-1/2" CHAINSAW



Item N	Type	Ref	Part No.	Description	Qty	Unit
1			158472-4	KNOB 60 COMPLETE	1	PC.
		INC.	816905-2	INDICATION LABEL	1	PC.
2			267004-7	FLAT WASHER 6	1	PC.
3			158471-6	SPROCKET COVER COMPLETE	1	PC.
4			961014-3	STOP RING E-8	1	PC.
5			221527-9	SPROCKET 9	1	PC.
6			267732-4	LOCK WASHER 12	1	PC.
7			232238-1	LEAF SPRING	1	PC.
8			265995-6	TAPPING SCREW 4X18	1	PC.
9			265995-6	TAPPING SCREW 4X18	3	PC.
10			450213-7	BEARING HOUSING	1	PC.
11			323806-2	SPINDLE	1	PC.
12			211051-0	BALL BEARING 609LLB	1	PC.
13			226673-3	HELICAL GEAR 50	1	PC.
14			450436-7	CAM	1	PC.
15			210033-9	BALL BEARING 696ZZ	1	PC.
16			450435-9	CRANK	1	PC.
17			213993-4	O-RING 1.5	1	PC.
18			158571-2	OIL PUMP COMPLETE	1	PC.
19			421615-4	CONNECTOR	1	PC.
20			158810-0	TANK CAP COMPLETE	1	PC.
22			158634-4	OIL TANK COMPLETE	1	PC.
23			187237-7	HANDLE SET	1	SET
24			231470-4	COMPRESSION SPRING 6	1	PC.
25			416178-3	LOCK-OFF BUTTON	1	PC.
26			651956-6	SWITCH TG72BD	1	PC.
27			450212-9	SWITCH LEVER	1	PC.
28	1		643859-8	TERMINAL	1	PC.
	2		644808-8	INSULATOR COMPLETE	1	PC.
29	1		257264-9	RING 30	1	PC.
	2		257363-7	RING 30	1	PC.
30			265995-6	TAPPING SCREW 4X18	4	PC.
31			619225-1	ARMATURE	1	PC.
32			638138-7	YOKE UNIT	1	PC.
33			638608-6	ENDBELL COMPLETE	1	PC.
34			188468-1	MOTOR HOUSING SET	1	SET
35			814K81-2	LXCU01 NAME PLATE	1	PC.
37			266050-7	TAPPING SCREW 4X30	4	PC.
38			195018-5	CARBON BRUSH CB-430 2PC/SET W/ORIGIN	1	SET
39			643954-4	BRUSH HOLDER CAP	2	PC.
41			265995-6	TAPPING SCREW 4X18	6	PC.
42			142155-6	FRONT HAND GUARD COMPLETE	1	PC.
		INC.	800W35-7	CAUTION LABEL EN, FR, SP	1	PC.
43			266050-7	TAPPING SCREW 4X30	2	PC.
44			450217-9	FRONT HANDLE	1	PC.
45			266050-7	TAPPING SCREW 4X30	1	PC.
46			265995-6	TAPPING SCREW 4X18	2	PC.
47			259041-5	PUSH NUT 8	1	PC.
48			443125-1	FILTER	1	PC.
49	1		620098-7	CONTROLLER	1	PC.
	2		620265-4	CONTROLLER	1	PC.
C01			874831-1	CARTON F/LXCU01, LXCU01Z	1	PC.

Item N	Type	Ref	Part No.	Description	Qty	Unit
<u>ACCESSORIES</u> - See Catalogue or visit www.makita.ca for more accessories -						
A01			158476-6	GUIDE BAR COMPLETE	1	PC.
A02			416311-7	GUIDE BAR CASE	1	PC.
A03			182229-1	OIL SUPPLY 100CC	1	PC.
A04			744003-1	CHAIN BLADE FILE 4	1	PC.
A05			791284-8	1/4" CHAIN 50G 4-1/2"	1	PC.
A06			196469-5	PRUNING EXTENSION SET, PKG, 3 LANGS	1	PC.
A07			194205-3	18V LI-ION BATTERY BL1830	1	PC.
A08			194230-4	18V LI-ION BATTERY BL1830 2PK	1	PK.
A09			194288-3	18V LI-ION BATTERY BL1830 10PK	1	PK.
A10	1		DC18RA	CHARGER DC18RA	1	PC.
	2		DC18RC	CHARGER DC18RC	1	PC.