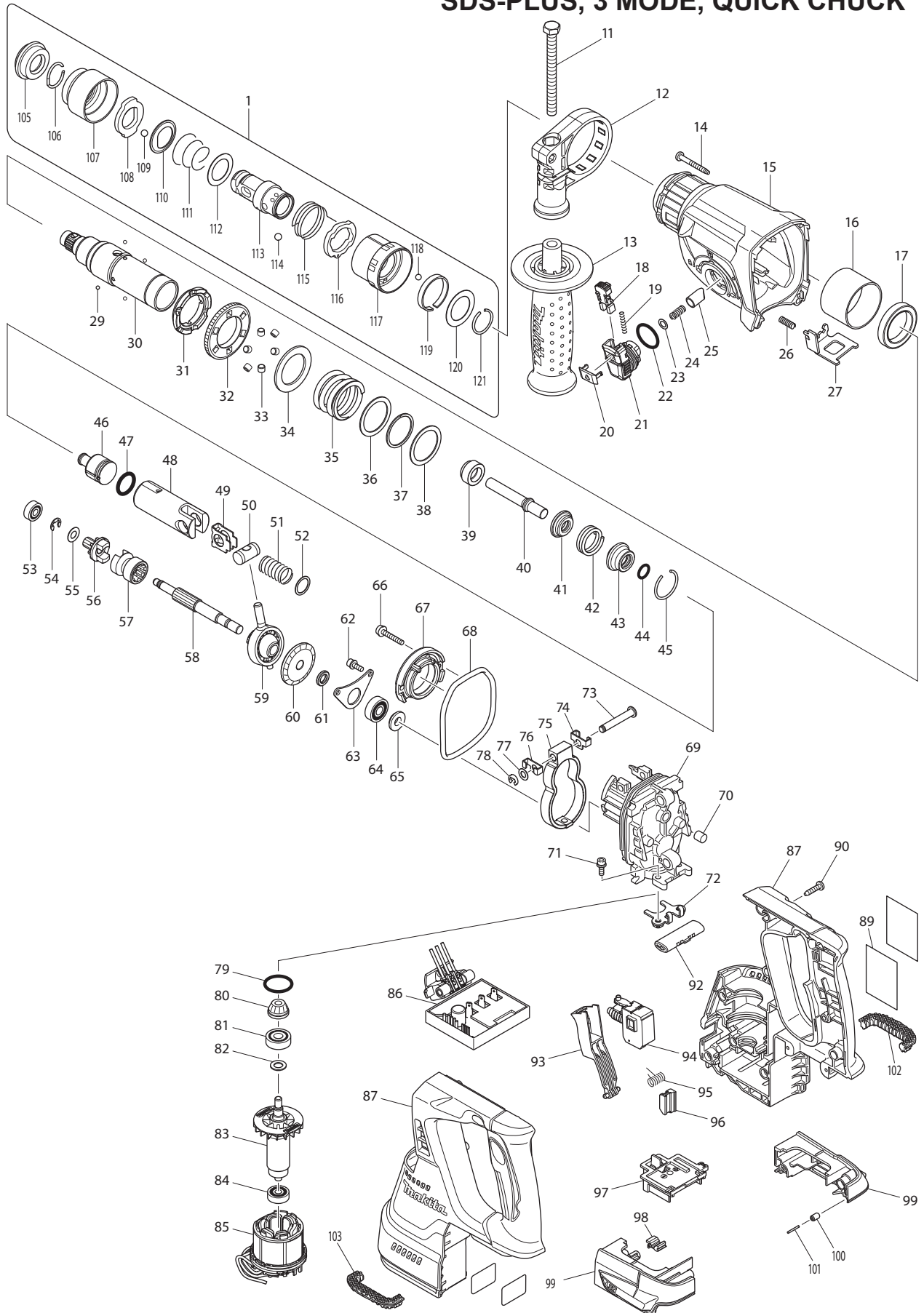




04 - 2012

LXRH02Z

18V BRUSHLESS ROTARY HAMMER SDS-PLUS, 3 MODE, QUICK CHUCK



Item No	Type	Part No	Description	Qty	Unit
1		194080-7	QUICK CHUCK SDS-PLUS CHUCK	1	PC.
	INC.		Item No. 105-121		
11		266745-2	HEX.BOLT M8X90	1	PC.
12		453129-5	GRIP BASE	1	PC.
13		158057-6	GRIP 36 COMPLETE	1	PC.
14		266351-3	TAPPING SCREW 4X35	4	PC.
15		141229-0	GEAR HOUSING COMPLETE	1	PC.
	INC.	213345-9	OIL SEAL 25	1	PC.
	INC.	890903-4	INDICATION LABEL (PICTURE)	1	PC.
16		331890-3	CUP SLEEVE	1	PC.
17		211294-4	BALL BEARING 6806LLU	1	PC.
18	1	453130-0	LOCK BUTTON - N/L/A	1	PC.
18	2	454112-5	LOCK BUTTON	1	PC.
19	1	233459-8	COMPRESSION SPRING 3	1	PC.
19	2	234264-6	COMPRESSION SPRING 3	1	PC.
20		453131-8	CHANGE LEVER COVER	1	PC.
21		453125-3	CHANGE LEVER	1	PC.
22		213381-5	O RING 21	1	PC.
23		253308-3	THIN WASHER 6	1	PC.
24		234147-0	COMPRESSION SPRING 5	1	PC.
25		325785-0	PUSH CORN	1	PC.
26		233360-7	COMPRESSION SPRING 4	1	PC.
27		346537-6	LOCK PLATE	1	PC.
29		216019-1	STEEL BALL 3	4	PC.
30		140266-1	TOOL HOLDERGUIDE COMPLETE	1	PC.
31	1	313149-0	* DRIVING FLANGE	1	PC.
31	2	332139-4	* DRIVING FLANGE	1	PC.
32	1	227232-6	* SPUR GEAR 51	1	PC.
32	2	227360-7	* SPUR GEAR 51	1	PC.
33		268226-2	* PIN 6 - N/A	6	PC.
34		267414-8	* FLAT WASHER 30 - N/A	1	PC.
35		234148-8	COMPRESSION SPRING 31	1	PC.
36		267153-0	FLAT WASHER 30	1	PC.
37		257932-4	SPIRO LOCK WASHER 30	1	PC.
38		267153-0	FLAT WASHER 30	1	PC.
39		325783-4	SLEEVE 9B	1	PC.
40		325791-5	IMPACT BOLT B	1	PC.
41		325792-3	WASHER 10	1	PC.
42		234149-6	COMPRESSION SPRING 20	1	PC.
43		325793-1	O-RING CASE B	1	PC.
44		213073-6	O RING 9	1	PC.
45		233979-2	RING SPRING 28	1	PC.
46		326139-4	STRIKER	1	PC.
47		213258-4	O RING 17.5	1	PC.
48		310345-1	PISTON CYLINDER	1	PC.
49		346036-8	GUIDE PLATE	1	PC.
50		324215-8	PISTON JOINT	1	PC.
51		234098-7	COMPRESSION SPRING 14	1	PC.
52		267447-3	FLAT WASHER 14	1	PC.
53		211012-0	BALL BEARING 606ZZ	1	PC.
54		257336-0	STOP RING EXT U-6	1	PC.
55		253186-1	FLAT WASHER 7	1	PC.
56		227231-8	SPUR GEAR 10	1	PC.
57		331814-9	CLUTCH CAM A	1	PC.
58		326140-9	CAM SHAFT	1	PC.
59		219020-5	SWASH BEARING 10	1	PC.
60		227588-7	SPIRAL BEVEL GEAR 32	1	PC.
61		257323-9	RING 8	1	PC.

Item No	Type	Part No	Description	Qty	Unit
62		922118-6	HEX. SOCKET HEAD BOLT M4X12	2	PC.
63		346038-4	BEARING RETAINER B	1	PC.
64		211032-4	BALL BEARING 608ZZ	1	PC.
65		324212-4	RING 8	1	PC.
66		922147-9	HEX. SOCKET HEAD BOLT M4X25	2	PC.
67		141230-5	INNER SUPPORT COMPLETE	1	PC.
68		213767-3	O-RING 75	1	PC.
69		318810-4	INNER HOUSING	1	PC.
70		443153-6	FELT	1	PC.
71		922118-6	HEX. SOCKET HEAD BOLT M4X12	2	PC.
72		346536-8	BEARING RETAINER A	1	PC.
73		256536-9	FLAT FILLISTER HD PIN 6	1	PC.
74		346538-4	WEIGHT HOLDER GUIDE	1	PC.
75		313224-2	COUNTER WEIGHT	1	PC.
76		346538-4	WEIGHT HOLDER GUIDE	1	PC.
77		253726-5	FLAT WASHER 6	1	PC.
78		961018-5	STOP RING E-5	1	PC.
79		213008-7	O RING 22.4	1	PC.
80		141458-5	SPIRAL BEVEL GEAR 11 COMPLETE	1	PC.
81		210024-0	BALL BEARING 608LLU	1	PC.
82		253835-0	FLAT WASHER 8	1	PC.
83		619293-4	ROTOR	1	PC.
84		210022-4	BALL BEARING 626DDW	1	PC.
85		629922-1	STATOR	1	PC.
86	1	620096-1	* CONTROLLER	1	PC.
86	2	620241-8	* CONTROLLER	1	PC.
87	1	187382-8	HOUSING SET	1	PC.
		INC. 890901-8	CAUTION LABEL FR/SP	1	PC.
87	2	187690-7	* HOUSING SET	1	SET
		INC. 890901-8	* CAUTION LABEL FR/SP	1	PC.
87	3	183A39-5	* HOUSING SET	1	SET
		INC. 890901-8	* CAUTION LABEL FR/SP	1	PC.
89		896798-3	NAME PLATE F/LXRH02	1	PC.
90		266326-2	TAPPING SCREW 4X18	10	PC.
92		453124-5	CHANGE LEVER F/R	1	PC.
93		453123-7	SWITCH LEVER	1	PC.
94	1	650674-3	* SWITCH C3JW-1-P	1	PC.
94	2	650709-0	* SWITCH C3JW-1-P	1	PC.
95		233598-4	TORSION SPRING 6	1	PC.
96		313226-8	OPENER	1	PC.
97	1	643859-8	TERMINAL	1	PC.
97	2	644808-8	TERMINAL	1	PC.
98		424476-1	CUSHION	1	PC.
99		187377-1	BATTERY HOUSING SET	1	PC.
		INC. 263005-3	RUBBER PIN 6	2	PC.
100		263036-2	RUBBER PIN 5	1	PC.
101		268184-2	PIN 1.5	1	PC.
102		424473-7	CUSHION RUBBER	1	PC.
103		424473-7	CUSHION RUBBER	1	PC.
105		286263-4	CAP 35	1	PC.
106		233940-9	RING SPRING 19	1	PC.
107		418217-5	CHUCK COVER	1	PC.
108		345333-9	STOPPER	1	PC.
109		216022-2	STEEL BALL 7.0	1	PC.
110		345187-4	GUIDE WASHER	1	PC.
111		233916-6	CONICAL COMP. SPRING 21-29	1	PC.
112		267279-8	FLAT WASHER 21	1	PC.
113		324355-2	TOOL HOLDER	1	PC.

Item No	Type	Part No	Description	Qty	Unit
114		216013-3	STEEL BALL 6	2	PC.
115		231669-1	TORSION SPRING 31	1	PC.
116		345334-7	CHANGE RING	1	PC.
117		418218-3	CHANGE COVER	1	PC.
118		216018-3	STEEL BALL 5.0	1	PC.
119		345335-5	LEAF SPRING	1	PC.
120		267270-6	FLAT WASHER 24	1	PC.
121		233924-7	RING SPRING 21	1	PC.
C01		872961-2	CARTON FOR LXRH02Z	1	PC.
D01		654281-4	RECEPTACLE	3	PC.

ACCESSORIES

- See catalogue or visit www.makita.ca for more optional accessories -

A01		324219-0	DEPTH GAUGE	1	PC.
A02		194079-2	DRILL CHUCK SET	1	PC.
	INC.	251425-3	- FLAT HEAD SCREW M6X22	1	PC.
	INC.	324353-6	CHUCK HOLDER	1	PC.
	INC.	418216-7	SPACER	1	PC.
A03	1	DC18RA	CHARGER DC18RA	1	PC.
A03	2	DC18RC	CHARGER DC18RC	1	PC.
A03		DC24SC	CHARGER DC24SC	1	PC.
A03		DC18SE	AUTOMOTIVE CHARGER DC18SE	1	PC.
A04		194205-3	18V LI-ION BATTERY BL1830	1	PC.
A04		194230-4	18V LI-ION BATTERY BL1830 2PC/PK	1	PK
A04		194288-3	18V LI-ION BATTERY BL1830 10PC/PK	1	PK
A05		450128-8	BATTERY COVER	1	PC.
A06		DX02	DUST EXTRACTION SYSTEM (See Partsbreakdown DX02)	1	PC.
	INC.	424474-5	SEALING CAP	5	PC.
A07		122574-2	DRILL CHUCK ASS'Y	1	PC.
	INC.	192877-8	1/2" DRILL CHUCK	1	PC.
	INC.	751106-4	CHUCK ADAPTER	1	PC.
	INC.	251425-3	- FLAT HEAD SCREW M6X22	1	PC.
A08		192892-2	KEYLESS DRILL CHUCK	1	PC.
A09		D-14093	CHUCK ADAPTER (SDS-PLUS)	1	PC.
	INC.	751106-4	CHUCK ADAPTER	1	PC.
	INC.	251425-3	- FLANGE HEAD SCREW M6X22	1	PC.
A10		763432-9	CHUCK KEY S13	1	PC.
A11		191686-2	SAFETY GOGGLE	1	PC.
A12		195132-7	DUSTCUP SET	1	PC.
A13		421342-3	DUST CUP 5	1	PC.
A13		421664-1	DUST CUP 9	1	PC.
A14		256806-6	ROD 10	1	PC.
A14		256815-5	ROD 15	1	PC.
A15		343411-9	CUTTER	1	PC.
A16		752031-2	CENTER BIT 8-100	1	PC.
A17		765009-6	BLOW-OUT BULB 64	1	PC.
A18		418165-8	JOINT 22-38	1	PC.
A19		195834-5	HAMMER SERVICE KIT	1	PC.
	INC.	286288-8	CAP 35	1	PC.
	INC.	233979-2	RING SPRING 28	1	PC.
	INC.	216022-2	STEEL BALL 7.0	1	PC.
	INC.	213258-4	O-RING 17.5	1	PC.
	INC.	213073-6	O-RING 9	1	PC.
	INC.	195127-0	OIL VESSEL SET	1	PC.
A20		196162-1	DUST CASE SET	1	PC.
	INC.	196164-7	FILTER SET	1	PC.
	INC.	453150-4	FILTER COVER	1	PC.