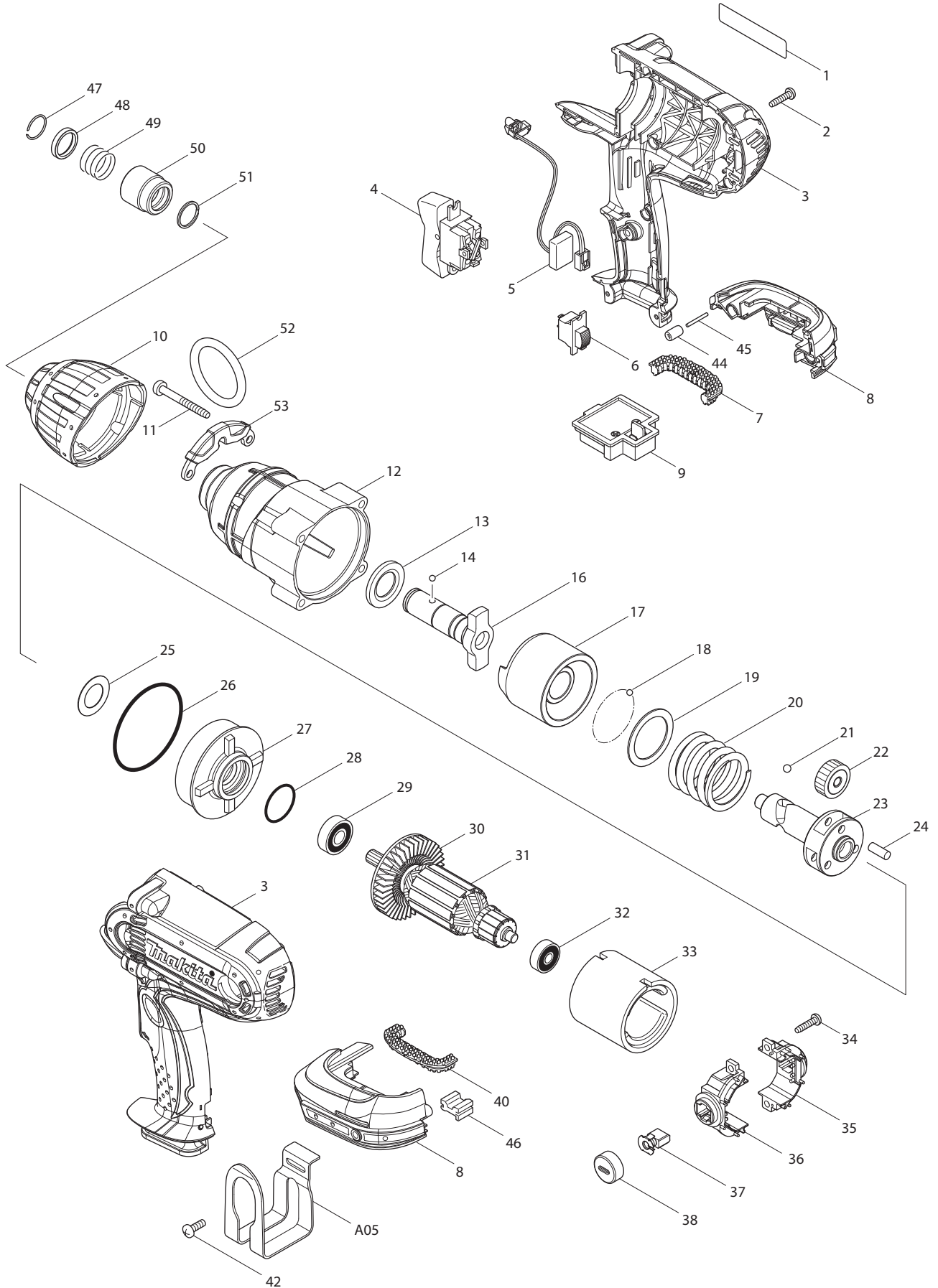




11 - 2011  
LXWT01 / LXWT01Z  
18V IMPACT WRENCH, 7/16" HEX SHANK



Item No.	Part No.	Description	Qty	Unit
1	896770-5	LXWT01 NAME PLATE	1	PC.
2	265995-6	TAPPING SCREW 4X18	9	PC.
3	188433-0	HOUSING SET	1	SET
	INC. 263025-7	RUBBER PIN 4	4	PC.
	INC. 810300-8	CAUTION LABEL (FR/SP)	1	PC.
4	651572-4	SWITCH SL220SD-19	1	PC.
5	631738-2	LIGHT CIRCUIT	1	PC.
6	638503-0	SWITCH UNIT	1	PC.
7	424042-4	CUSHION RUBBER	1	PC.
8	188453-4	BATTERY HOUSING SET	1	SET
	INC. 263005-3	RUBBER PIN 6	2	PC.
9	643812-4	TERMINAL	1	PC.
10	421971-2	BUMPER	1	PC.
11	266056-5	TAPPING SCREW 5X45	4	PC.
12	158076-2	HAMMER CASE COMPLETE	1	PC.
13	267268-3	FLAT WASHER 19	1	PC.
14	216008-6	STEEL BALL 4	2	PC.
16	326160-3	ANVIL	1	PC.
17	324697-4	HAMMER	1	PC.
18	216008-6	STEEL BALL 4	29	PC.
19	267340-1	FLAT WASHER 32	2	PC.
20	234241-8	COMPRESSION SPRING 33	1	PC.
21	216007-8	STEEL BALL 6.4	2	PC.
22	227171-0	SPUR GEAR 23	3	PC.
23	310185-7	SPINDLE	1	PC.
24	256033-5	PIN 6	3	PC.
25	253794-8	FLAT WASHER 18	1	PC.
26	213722-5	O RING 63	1	PC.
27	227172-8	INTERNAL GEAR 53	1	PC.
28	213445-5	O-RING 26	1	PC.
29	210059-1	BALL BEARING 6000DDW	1	PC.
30	241850-6	FAN 60	1	PC.
31	519199-5	ARMATURE ASS'Y 18V	1	PC.
	INC.	Item No. 29,30,32		
32	210025-8	BALL BEARING 627LLB	1	PC.
33	638107-8	YOKE UNIT	1	PC.
34	265995-6	TAPPING SCREW 4X18	2	PC.
35	643818-2	BRUSH HOLDER	1	PC.
36	643823-9	BRUSH HOLDER	1	PC.
37	195022-4	CARBON BRUSH CB-441, 2PCS/SET	1	SET
38	643941-3	BRUSH HOLDER CAP	2	PC.
40	424042-4	CUSHION RUBBER	1	PC.
42	251314-2	+ SCREW M4X12	1	PC.
44	263036-2	RUBBER PIN 5	1	PC.
45	268184-2	PIN 1.5	1	PC.
46	424026-2	CUSHION	1	PC.
47	234239-5	RING SPRING 16	1	PC.
48	257329-7	RING 18	1	PC.
49	234240-0	COMPRESSION SPRING 18	1	PC.
50	326161-1	SLEEVE	1	PC.
51	257985-3	RETAINING RING (EXT) 18	1	PC.
52	282022-4	RING 40	1	PC.
53	162341-3	BRACKET	1	PC.
C01	872898-3	CARTON FOR LXWT01Z	1	PC.
C01A	872900-2	CARTON FOR LXWT01	1	PC.
D01	652008-6	PAN HEAD SCREW M3.5X7	4	PC.
D02	654037-5	INSULATED TERM. FK1.25-M3	2	PC.

Item No.		Part No.	Description	Qty	Unit
<b><u>ACCESSORIES</u></b>		<b>-See catalogue or visit <a href="http://www.makita.ca">www.makita.ca</a> for more accessories -</b>			
A01	1	DC18RA	FAST CHARGER DC18RA	1	PC.
	2	DC18RC	FAST CHARGER DC18RC	1	PC.
		DC18RAKIT	DC18RA CHARGER + BL1830 BATTERY KIT	1	SE
A02		194205-3	18V LI-ION BATTERY BL1830	1	PC.
		194230-4	18V LI-ION BATTERY BL1830 2/PK	1	PK
		194288-3	18V LI-ION BATTERY BL1830 10/PK	1	PK
A03		450128-8	BATTERY COVER	1	PC.
A04	1	824777-1	PLASTIC CARRYING CASE	1	PC.
		INC. 163467-4	LATCH	2	PC.
	2	141644-8	PLASTIC CASE COMPLETE	1	PC.
		INC. 163467-4	LATCH	2	PC.
A05		345736-7	HOOK	1	PC.