

**IMPORTANT** — To assure product **SAFETY** and **RELIABILITY**, repairs, maintenance or adjustments should be performed by **MAKITA** Service Centers or other qualified service organizations. Always use **MAKITA** replacement parts.

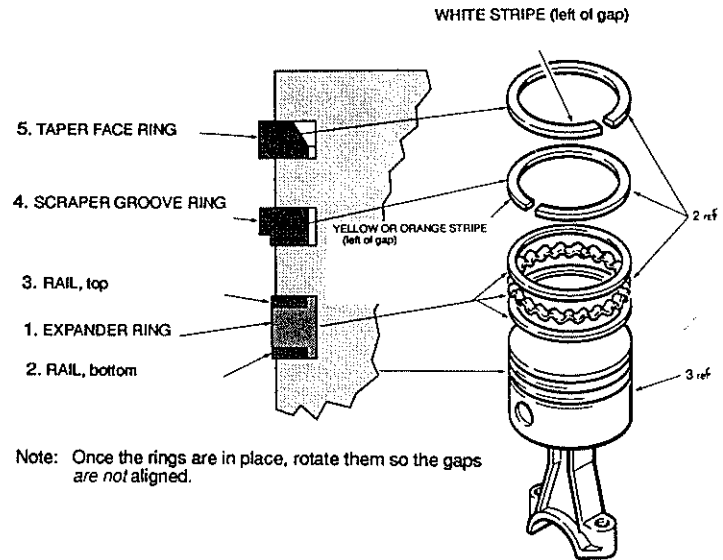
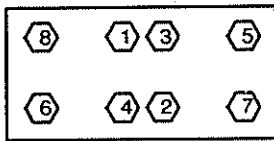


**IMPORTANT:** Rings must be assembled with colored stripes in the position shown below and in the following numerical sequence:

### 040019-6 PUMP ASSEMBLY

Sequence #'s 1, 2, 3 & 4  
Torque to 240-320 in-lbs  
Sequence #'s 5, 6, 7 & 8  
Torque to 200-280 in-lbs

Head bolt sequence



Note: Once the rings are in place, rotate them so the gaps are *not* aligned.

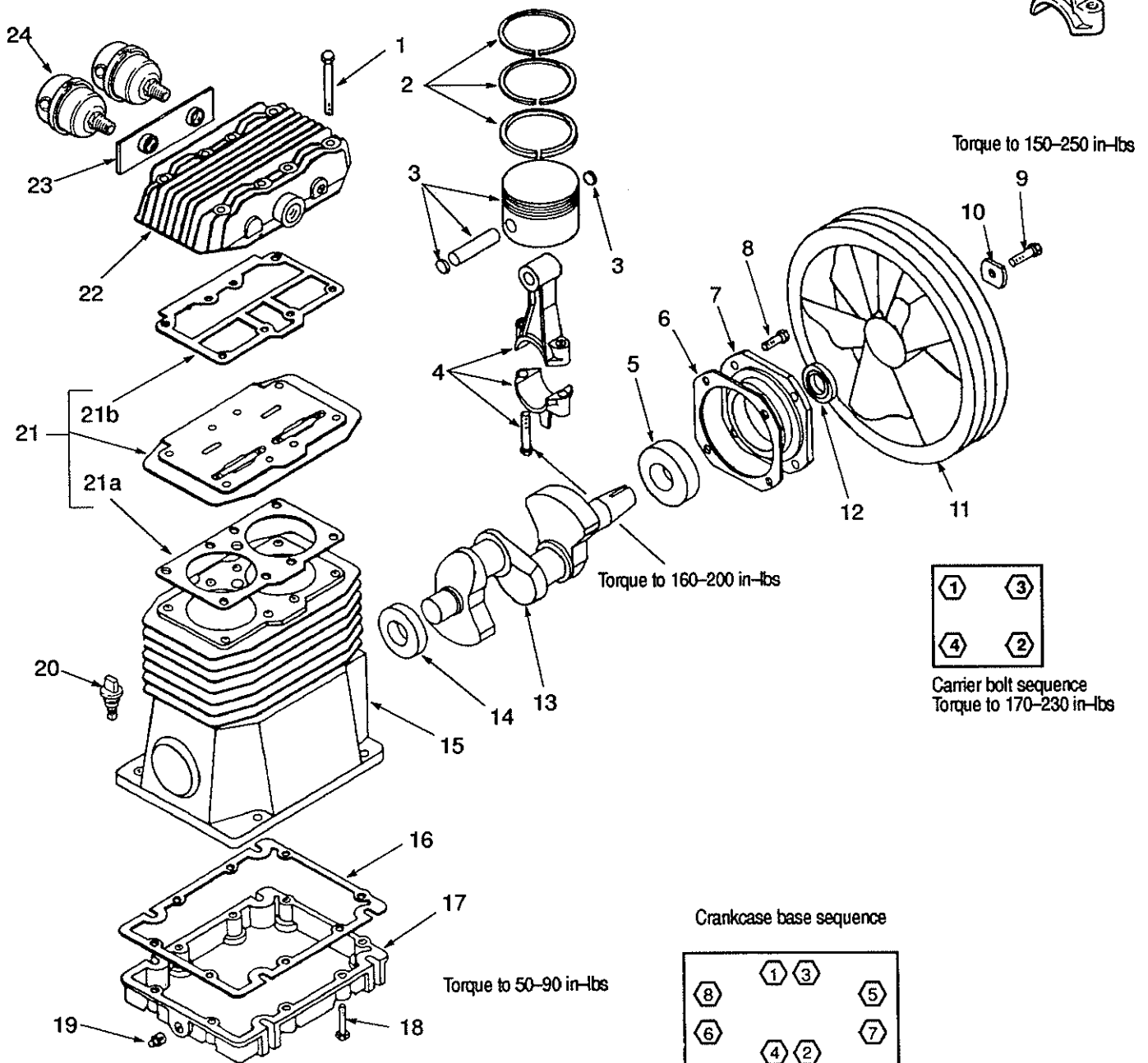


Fig.	Part No.	Qty. Used	Description	Fig.	Part No.	Qty. Used	Description
1	059014-4	8	SCREW	15	049004-0	1	CRANKCASE
2	054011-2	1	RING SET	16	046015-0	1	GASKET
3	048006-5	1	PISTON ASSY	17	077006-5	1	BASE
4	047006-9	2	ROD	18	059014-5	8	SCREW
5	051004-3	1	BEARING	19	062000-2	1	PLUG
6	046014-9	1	GASKET	20	056001-9	1	DIPSTICK
7	045004-3	1	CARRIER	21	043014-2	1	PLATE ASSY (INCL.FIG.21a-21b)
8	059014-3	4	SCREW	21a	046015-2	1	GASKET
9	059000-2	1	SCREW	21b	046015-1	1	GASKET
10	060005-3	1	WASHER	22	042006-8	1	HEAD
11	044003-9	1	12" FLYWHEEL	23	019009-6	1	PLATE
12	046016-1	1	SEAL	24	019016-5	2	FILTER CANISTER (INCL. FIG. 24a)
13	053004-1	1	CRANKSHAFT	24a	019016-6	2	ELEMENT
14	051001-3	1	BEARING				

4 MODEL MAC3000

04-96