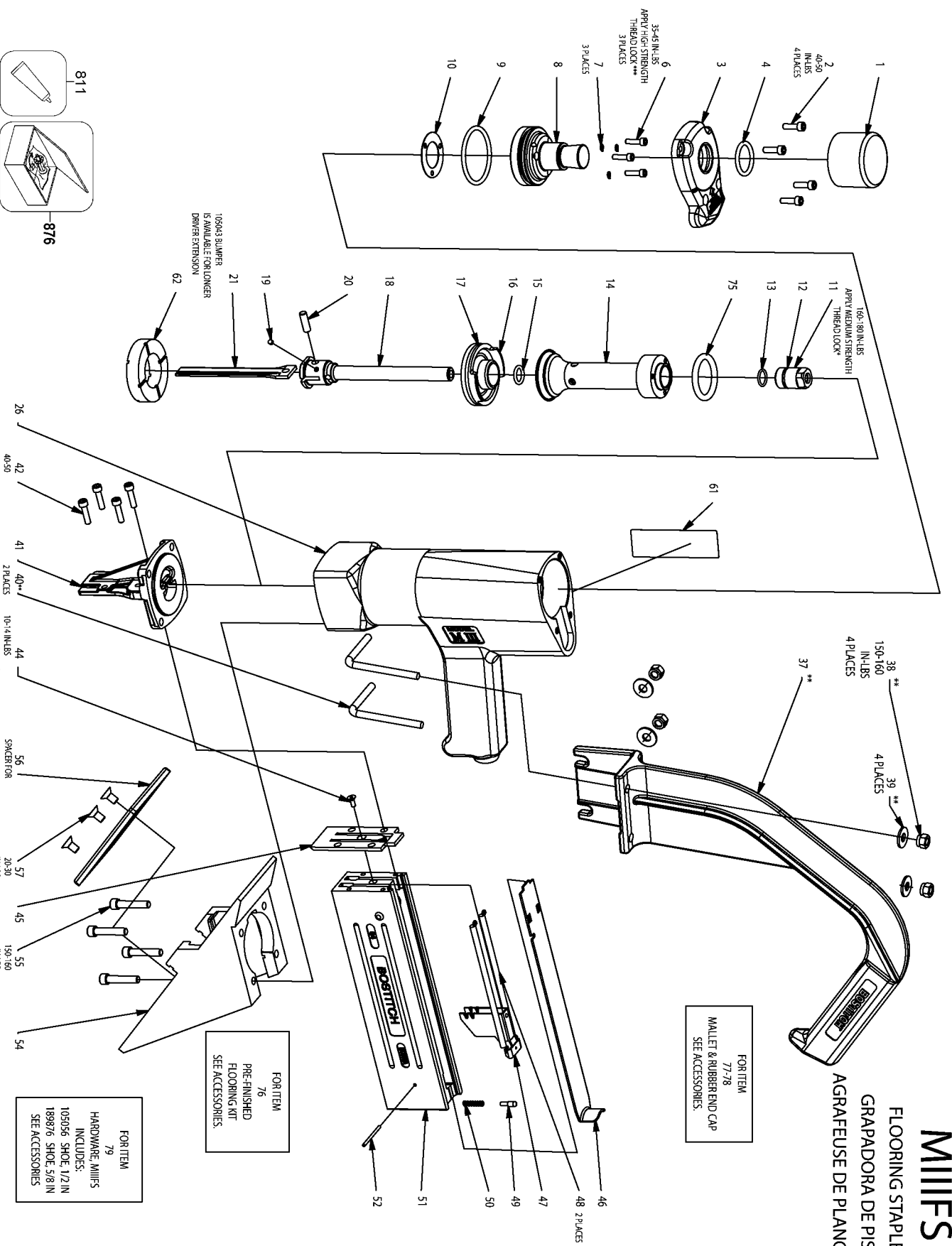


# MILIFS

## FLOORING STAPLER GRAPADORA DE PISOS AGRAFEUSE DE PLANCHER



\*LOCTITE 242 AVAILABLE AS PART # 851385.  
 \*\*ITEMS ARE INCLUDED WITH TOOL, NOT INSTALLED.  
 \*\*\*LOCTITE 271 AVAILABLE AS PART # 851325.

## Parts List for MIIIFS Type 121530000 and Higher

Item Number	Part Number	Description	Qty Required
1	87502	HAMMER FACE	1
2	UA3810.4	SCREW-10-24 X 5/8 SH	4
3	117524	CAP-FRAME	1
4	88445	O-RING	1
6	UA2810	SCREW-SHCS-8-32X5/8	3
7	LW8.2	LOCK WASHER	3
8	BC1295	POPPET ACTUATOR	1
9	86460	O-RING	1
10	180256	SEAL	1
11	BC703	STEM-PLUNGER - MII	1
12	850144	O-RING-.614X.070	1
13	86458	O-RING	1
14	121800	POPPET	1
15	850143	O-RING-.487X.103	1
16	BC1175	DRIVER PISTON	1
17	850626	O-RING-1.984X.139	1
18	BC1455	PISTON STEM	1
19	BC347	NYLON INSERT	1
20	UB4112.3	PIN- DOWEL .250 X .7	1
21	BC1586	DRIVER	1
26	BC1328AFS	BODY	1
37	BC1619	HANDLE-LONG	1
38	HN1420.4	NUT-ESN-1/4-20	4
39	PW14	WASHER-1/4 USS FLAT	4
40	BC1301	CLAMP SCREW	2
41	177776	NOSE	1
42	UA3816.4	SCREW-SHCS-10-24X1	4

## Parts List for MIIIFS Type 121530000 and Higher

Item Number	Part Number	Description	Qty Required
42	107166	SCREW-SHCS-10-24X3/4	4
44	UA1806.8	SCREW-SFHCS-6-32X3/8	1
45	BC1298	WEAR PLATE	1
46	BC690	COVER-MAGAZINE	1
47	BC1158	PUSHER	1
48	BC1159	SPRING-EXTENSION	2
49	BC34	MAG.COVER LATCH SHOU	1
50	BC41	SPRING-COVER DETENT	1
51	BC983A	ASSEMBLY-MAGAZINE BO	1
52	UB2822	PIN-SPRING ANCHOR	1
54	BC1300	SHOE	1
55	UA4820.1	SCREW-1/4-20X1-1/4 S	4
56	105055	SPACER-1/4	1
57	UA4808.13	SCREW-SFHCS-1/4-20X1	3
58	86314	O-RING	1
61	182280	WARNING LABEL	1
62	105044	BUMPER	1
66	105056	SPACER-5/16	1
75	121799	O-RING-1.287 X .210	1
77	174236	MALLET-14.5IN GRAPHI	1
78	HFMF-SW	HDWD MALLET FACE	1
79	117487	HARDWARE-MIIIFS	1
80	9R189876	SHOE-5/8 IN.	1
811	851385	LOCTITE	1
811	851325	LOCTITE	1
876	ORK6	REPAIR KIT	1
876	MIISK	REPAIR KIT	1