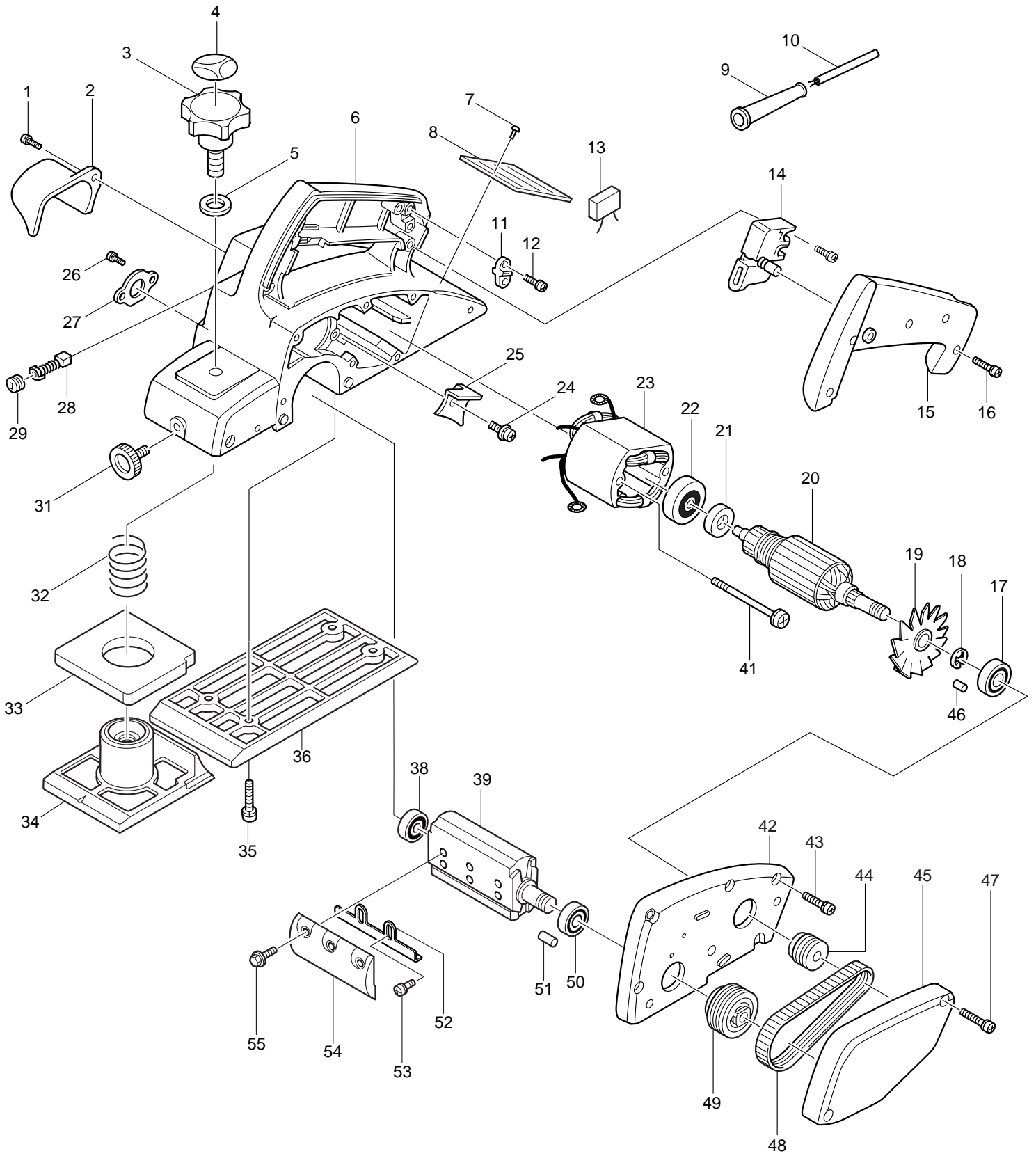


PARTS BREAKDOWN

N1900B





PARTS BREAKDOWN

N1900B

Products with multiple versions are listed in subsiding order with the newest version on top not indented

<u>Fig #</u>	<u>Part ID</u>	<u>Part Name</u>	<u>Quantity</u>	<u>Unit</u>
1	265874-8	TAPPING SCREW BT 4X20	1	PC.
001-1	265941-9	TAPPING SCREW BT 4X18	1	PC.
2	411650-0	CHIP COVER	1	PC.
3	271231-0	KNOB 46	1	PC.
4	812137-9	SCALE LABEL	1	PC.
5	253796-4	FLAT WASHER 10	1	PC.
005-1	941251-5	FLAT WASHER 10	1	PC.
6	159858-5	MAIN FRAME COMPLETE	1	PC.
6	643556-6	BRUSH HOLDER 5-8	2	PC.
6	817733-8	CAUTION LABEL	1	PC.
8	811554-0	NAME PLATE 1900B	1	PC.
9	682502-4	CORD GUARD 8-85	1	PC.
10	664013-1	POWER SUPPLY CORD AWG#18-2-2.5	1	PC.
010-1	664064-4	POWER SUPPLY CORD AWG#18-2-2.5	1	PC.
11	687063-9	CORD CLAMP	1	PC.
12	265941-9	TAPPING SCREW BT 4X18	2	PC.
14	651232-8	SWITCH SGEL206C	1	PC.
15	415676-4	HANDLE COVER	1	PC.
16	265875-6	TAPPING SCREW BT 4X25	4	PC.
17	211061-7	BALL BEARING 6000LLB	1	PC.
18	961015-1	STOP RING E-9	1	PC.
19	241510-0	FAN 52	1	PC.
20	517036-7	ARMATURE ASS'Y 115V	1	PC.
20		INC. 17-192122	0	
21	681614-0	INSULATION WASHER	1	PC.
22	211028-5	BALL BEARING 627LB	1	PC.
23	593241-0	FIELD ASS'Y 115V	1	PC.
23	654018-9	RING TERMINAL	2	PC.
23	654555-3	CONNECTOR 34130	2	PC.
24	265871-4	TAPPING SCREW BT 4X16	1	PC.
25	411153-4	AUXILIARY BAFFLE PLATE	1	PC.
28	191947-0	CARBON BRUSH CB-76	1	SET
028-1	194972-0	CARBON BRUSH SET CB-76	1	PC.
29	643550-8	BRUSH HOLDER CAP 5-8	2	PC.
31	251812-6	SCREW M5X10	1	PC.
32	231004-3	COMPRESSION SPRING 18	1	PC.
33	421007-7	RUBBER PACKING	1	PC.
34	312566-1	FRONT BASE	1	PC.
35	265878-0	TAPPING SCREW BT 5X16	4	PC.
36	312023-9	BASE	1	PC.
38	211032-4	BALL BEARING 608ZZ	1	PC.
39	161061-6	DRUM	1	PC.
41	265877-2	TAPPING SCREW BT 4X60	2	PC.
42	152196-4	BRACKET COMPLETE	1	PC.
42		INC. 4651	0	
43	265875-6	TAPPING SCREW BT 4X25	6	PC.
44	222008-6	V-PULLEY 4-20L	1	PC.
044-1	222125-2	V-PULLEY 4-20L	1	PC.



PARTS BREAKDOWN

N1900B

45	411019-8	BELT COVER	1	PC.
045-1	450051-7	BELT COVER	1	PC.
46	263002-9	RUBBER PIN 4	1	PC.
47	911148-2	PAN HEAD SCREW M4X25	2	PC.
48	225007-7	POLY V-BELT 4-241	1	PC.
49	222009-4	V-PULLEY 4-37	1	PC.
049-1	222126-0	V-PULLEY 4-37	1	PC.
50	211062-5	BALL BEARING 6000ZZ	1	PC.
51	263002-9	RUBBER PIN 4	1	PC.
52	342430-2	ADJUST PLATE	2	PC.
052-1	345644-2	ADJUST PLATE	2	PC.
53	251246-3	PAN HEAD SCREW M4X5	4	PC.
053-1	265132-2	PAN HEAD SCREW M4X5	4	PC.
54	345007-2	DRUM PLATE (2PCS/SET)	1	SET
55	251609-3	HEX. FLANGE HEAD BOLT M6X17	6	PC.
404	911228-4	PAN HEAD SCREW M5X18	2	PC.
405	411086-3	GAUGE PLATE	1	PC.
406	123062-2	BLADE GAUGE ASS'Y	1	PC.
406		INC. 404405	0	
410	782209-3	SOCKET WRENCH 9	1	PC.
411	824413-9	PLASTIC CARRYING CASE	1	PC.
411	417897-4	LATCH	2	PC.
412	D-16966	82MM TCT MINI PLANER BLADE	1	SET
500	132309-3	DRUM ASS'Y	1	PC.
500		INC. 39525455	0	
901	343433-9	SET PLATE F/MINI BLADE	2	PC.
907	191455-1	GUIDE RULE SET	1	SET
908	810138-1	CAUTION LABEL	1	PC.