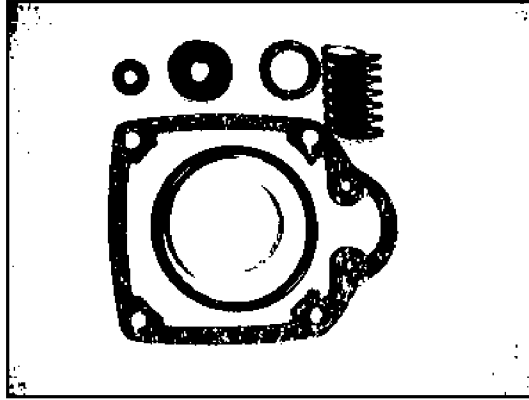
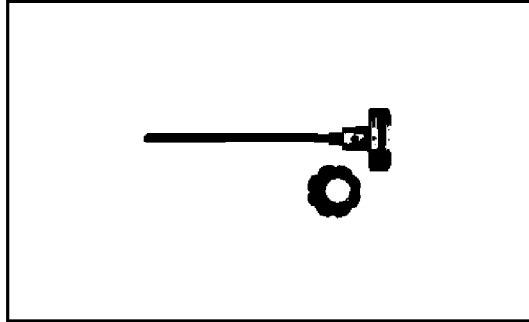


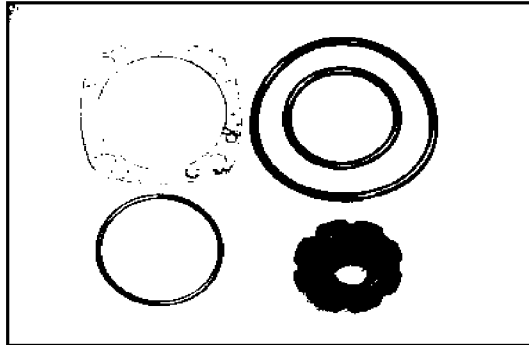
* Key numbers 4, 7, 8, 9, 10, 11, and 13 can only be purchased as part of K-0521 Top Repair Kit.



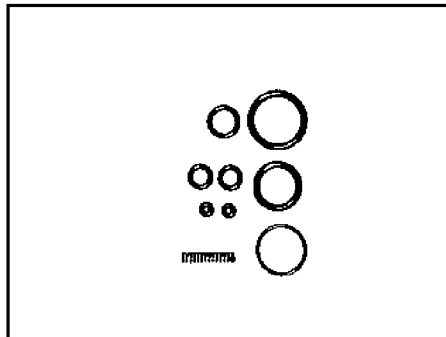
+ Key numbers 14, 15, 17, and 23 can only be purchased as part of K-1664 Driver Blade Kit.



Key numbers 18, 20, 22, 23, and 25 can only be purchased as part of K-0522 Bottom Repair Kit



✓ Key numbers 76, 77, 79, 81, 82, 83, 85, and 86 can only be purchased as part of K-0523 Trigger Repair Kit.



Parts List for NF2502X4 Type 0

| Item Number | Part Number | Description | Qty Required |
|-------------|-------------|---------------------|--------------|
| 1 | 000000-00 | No Longer Available | 1 |
| 2 | 000000-00 | No Longer Available | 1 |
| 3 | 000000-00 | No Longer Available | 1 |
| 4 | 000000-00 | No Longer Available | 1 |
| 5 | 000000-00 | No Longer Available | 1 |
| 6 | 000000-00 | No Longer Available | 1 |
| 7 | 000000-00 | No Longer Available | 1 |
| 8 | 000000-00 | No Longer Available | 1 |
| 9 | 000000-00 | No Longer Available | 1 |
| 10 | 000000-00 | No Longer Available | 1 |
| 11 | 000000-00 | No Longer Available | 1 |
| 12 | 000000-00 | No Longer Available | 1 |
| 13 | 000000-00 | No Longer Available | 1 |
| 14 | 000000-00 | No Longer Available | 1 |
| 15 | 000000-00 | No Longer Available | 1 |
| 16 | 000000-00 | No Longer Available | 1 |
| 17 | 000000-00 | No Longer Available | 1 |
| 18 | 000000-00 | No Longer Available | 1 |
| 19 | 000000-00 | No Longer Available | 1 |
| 20 | 000000-00 | No Longer Available | 1 |
| 21 | 000000-00 | No Longer Available | 1 |
| 22 | 000000-00 | No Longer Available | 1 |
| 23 | 000000-00 | No Longer Available | 1 |
| 24 | 000000-00 | No Longer Available | 1 |
| 25 | 000000-00 | No Longer Available | 1 |
| 26 | 000000-00 | No Longer Available | 1 |
| 28 | 000000-00 | No Longer Available | 1 |

COPYRIGHT© 2005. All Rights Reserved.

Parts list, pricing, and availability subject to change. Please visit www.dewaltservicenet.com for current parts information.

Parts List for NF2502X4 Type 0

| Item Number | Part Number | Description | Qty Required |
|-------------|-------------|---------------------|--------------|
| 29 | 000000-00 | No Longer Available | 1 |
| 30 | 000000-00 | No Longer Available | 1 |
| 31 | 000000-00 | No Longer Available | 1 |
| 32 | 000000-00 | No Longer Available | 1 |
| 33 | 000000-00 | No Longer Available | 1 |
| 34 | 000000-00 | No Longer Available | 1 |
| 35 | 000000-00 | No Longer Available | 1 |
| 36 | 000000-00 | No Longer Available | 1 |
| 37 | 000000-00 | No Longer Available | 1 |
| 38 | 000000-00 | No Longer Available | 1 |
| 39 | 000000-00 | No Longer Available | 1 |
| 40 | 000000-00 | No Longer Available | 1 |
| 41 | 000000-00 | No Longer Available | 1 |
| 42 | 000000-00 | No Longer Available | 1 |
| 44 | 000000-00 | No Longer Available | 1 |
| 45 | 000000-00 | No Longer Available | 1 |
| 46 | 000000-00 | No Longer Available | 1 |
| 47 | 000000-00 | No Longer Available | 1 |
| 48 | 000000-00 | No Longer Available | 1 |
| 51 | 000000-00 | No Longer Available | 1 |
| 52 | 000000-00 | No Longer Available | 1 |
| 53 | 000000-00 | No Longer Available | 1 |
| 54 | 000000-00 | No Longer Available | 1 |
| 55 | 000000-00 | No Longer Available | 1 |
| 56 | 000000-00 | No Longer Available | 1 |
| 57 | 000000-00 | No Longer Available | 1 |
| 58 | 000000-00 | No Longer Available | 1 |

COPYRIGHT© 2005. All Rights Reserved.

Parts list, pricing, and availability subject to change. Please visit www.dewaltservicenet.com for current parts information.

Parts List for NF2502X4 Type 0

| Item Number | Part Number | Description | Qty Required |
|-------------|-------------|---------------------|--------------|
| 59 | 000000-00 | No Longer Available | 1 |
| 60 | 000000-00 | No Longer Available | 1 |
| 61 | 000000-00 | No Longer Available | 1 |
| 62 | 000000-00 | No Longer Available | 1 |
| 63 | 000000-00 | No Longer Available | 1 |
| 64 | 000000-00 | No Longer Available | 1 |
| 66 | 000000-00 | No Longer Available | 1 |
| 67 | 000000-00 | No Longer Available | 1 |
| 68 | 000000-00 | No Longer Available | 1 |
| 69 | 000000-00 | No Longer Available | 1 |
| 70 | 000000-00 | No Longer Available | 1 |
| 71 | 000000-00 | No Longer Available | 1 |
| 72 | 000000-00 | No Longer Available | 1 |
| 73 | 000000-00 | No Longer Available | 1 |
| 74 | 000000-00 | No Longer Available | 1 |
| 75 | 000000-00 | No Longer Available | 1 |
| 76 | 000000-00 | No Longer Available | 1 |
| 77 | 000000-00 | No Longer Available | 1 |
| 78 | 000000-00 | No Longer Available | 1 |
| 79 | 000000-00 | No Longer Available | 1 |
| 80 | 000000-00 | No Longer Available | 1 |
| 81 | 000000-00 | No Longer Available | 1 |
| 82 | 000000-00 | No Longer Available | 1 |
| 83 | 000000-00 | No Longer Available | 1 |
| 84 | 000000-00 | No Longer Available | 1 |
| 85 | 000000-00 | No Longer Available | 1 |
| 86 | 000000-00 | No Longer Available | 1 |

COPYRIGHT© 2005. All Rights Reserved.

Parts list, pricing, and availability subject to change. Please visit www.dewaltservicenet.com for current parts information.

Parts List for NF2502X4 Type 0

| Item Number | Part Number | Description | Qty Required |
|-------------|-------------|---------------------|--------------|
| 856 | 000000-00 | No Longer Available | 1 |
| 856 | 000000-00 | No Longer Available | 1 |
| 856 | 000000-00 | No Longer Available | 1 |

COPYRIGHT© 2005. All Rights Reserved.

Parts list, pricing, and availability subject to change. Please visit www.dewaltservicenot.com for current parts information.