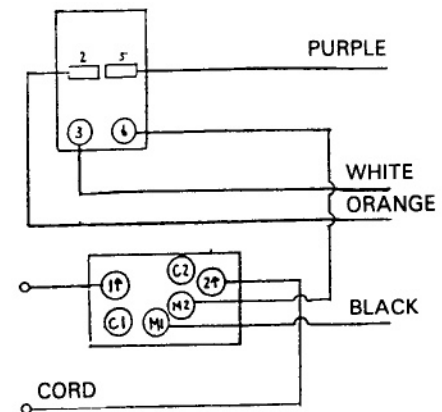


WIRING DIAGRAM



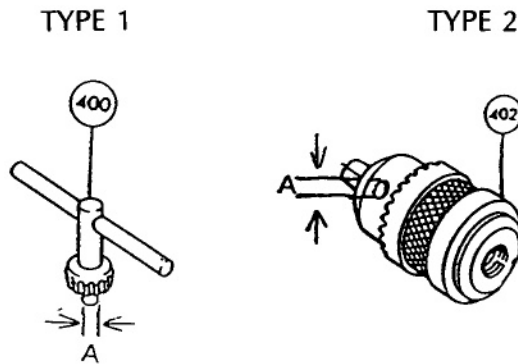
IMPORTANT — To assure product **SAFETY** and **RELIABILITY**, repairs, maintenance or adjustments should be performed by **MAKITA** Service Centers or other qualified service organizations. Always use **MAKITA** replacement parts.

Fig.	Part No.	Qty. Used	Description	Fig.	Part No.	Qty. Used	Description
1	251448-1	1	SCREW M5X18	28	**	1	SWITCH
2	942101-7	1	SPRING WASHER 5	29	651478-6	1	SWITCH (REV.)
4	321110-3	1	SPINDLE	33	664422-4	1	CORD
5	254011-9	1	WOODRUFF KEY 4	35	911143-2	6	P. H. SCREW M4X22
6	216002-8	1	STEEL BALL 4.8	37	911143-2	1	P. H. SCREW M4X22
7	211206-7	1	B. BEARING 6202LLB	38	253758-2	1	F. WASHER 10
8	253070-0	2	F. WASHER 15	39	**	1	HOUSING SET
9	221663-1	1	H. GEAR	50	273406-7	1	GRIP 32
10	153120-0	1	CAM	59	411780-7	1	HOLDER
11	232053-3	1	LEAF SPRING	60	654069-2	2	RECEPTACLE
12	411623-3	1	KNOB	61	686015-7	2	RECEPTACLE SLEEVE
13	321111-1	1	SHIFTER PIN	ACCESSORIES			
14	**	1	HOUSING SET	400	*	1	CHUCK KEY
17	911124-6	2	P.H. SCREW M4X14	401	181949-4	1	STEEL TOOL CASE
18	633181-1	1	FIELD	402	*	1	DRILL CHUCK
19	211028-5	1	B. BEARING 627LB	404	164549-5	1	STOPPER HOLDER
20	681614-0	1	INS. WASHER	405	251851-6	1	KNOB
21	511951-7	1	ARMATURE	406	321220-6	1	STOPPER POLE
22	241812-4	1	FAN 58	407	191686-2	1	SAFETY GOGGLES
23	211033-2	1	B. BEARING 608LB				
24	191910-3	1	CARBON BRUSH 401				
26	342460-3	1	CLIP				

* SEE SERVICE CHANGE 1
 ** SEE SERVICE CHANGE 2

SERVICE CHANGE

1. Change on Drill Chuck and Chuck Key from S/N 729,219E



A = 7/32" (5.5mm)

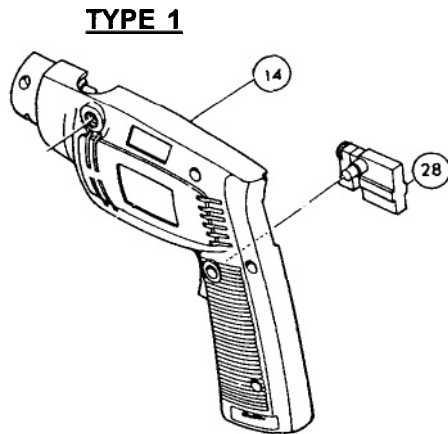
A = 9/32" (7mm)

Fig.	Description	Type 1	Type 2
400	Chuck Key S10	Part #763414-1	Part #763415-9
402	Drill Chuck S10	Part #763048-0	Part #763067-6

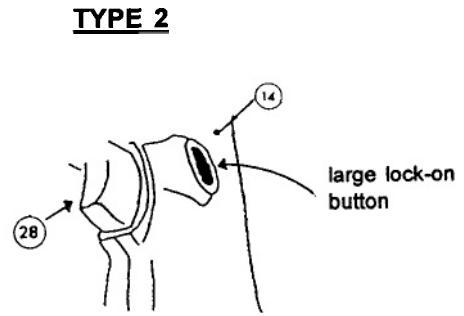
The above parts are interchangeable as a set.

SERVICE CHANGE

2. Change on switch from S/N 797,053E



with variable speed
adjustment on switch



w/o variable speed
adjustment on switch

FIG	DESCRIPTION	TYPE 1	TYPE 2
28	Switch	Part # 651270-0	Part # 651277-6
14, 39	Housing Set	Part # 182512-6	Part # 182799-0