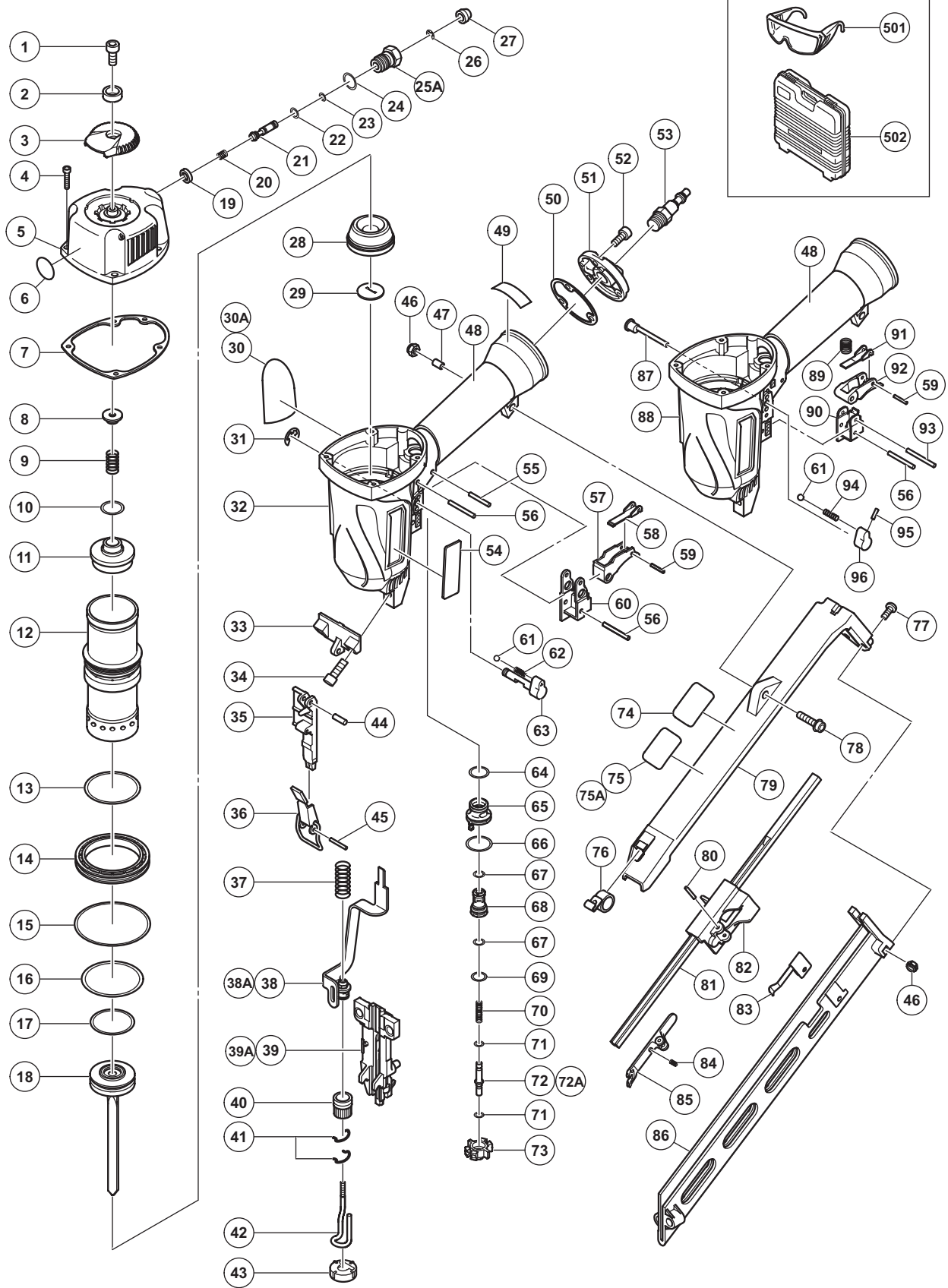


## PNEUMATIC TOOL PARTS LIST

■ FINISH NAILER  
Model NT 65MA4

2011·1·25  
(E2)



**PARTS**

NT 65MA4

ITEM NO.	CODE NO.	DESCRIPTION	NO. USED	REMARKS
1	949-657	HEX. SOCKET HD. BOLT M6 X 12 (10 PCS.)	1	
2	880-515	PLATE	1	
3	884-332	TOP COVER	1	
4	949-757	HEX. SOCKET HD. BOLT M5 X 20 (10 PCS.)	4	
5	887-161	EXHAUST COVER	1	
*	6	883-513	WARNING LABEL(A)	1 FOR EUROPE
7	887-165	GASKET	1	
8	882-914	HEAD BUMPER	1	
9	882-913	HEAD VALVE SPRING	1	
10	883-992	O-RING (I.D. 20.8)	1	
11	887-169	HEAD VALVE (A)	1	
12	887-162	CYLINDER	1	
13	887-176	O-RING	1	
14	887-163	CYLINDER PLATE	1	
15	884-339	CYLINDER O-RING (I.D. 63.1)	1	
16	878-716	O-RING (P-46)	1	
17	882-685	O-RING (I.D. 34.7)	1	
18	884-330	PISTON	1	
19	884-338	VALVE PACKING	1	
20	887-177	SPRING	1	
21	884-333	PLUNGER	1	
22	873-093	O-RING (1AP-3)	1	
23	881-715	O-RING (S3)	1	
24	987-105	O-RING (S-10)	1	
25A	887-150	VALVE BUSHING	1	
26	968-643	RETAINING RING (E-TYPE) FOR D4 SHAFT	1	
27	886-743	KNOB	1	
28	887-170	PISTON BUMPER	1	
29	881-756	BUMPER SHEET	1	
*	30		NAME PLATE	1
*	30A		NAME PLATE	1 FOR MODEL (S)
*	31	955-479	RETAINING RING (E-TYPE) FOR D6 SHAFT	1
*	32	887-160	BODY ASS'Y	1 INCLUD. 48
33	881-764	GUIDE PLATE (B)	1	
34	331-967	NYLOCK HEX. SOCKET HD. BOLT M6 X 30	2	
35	881-743	GUIDE PLATE (A)	1	
36	884-323	LOCK LEVER	1	
37	877-894	HOLDER SPRING	1	
*	38	887-179	PUSHING LEVER (B)	1
*	38A	887-688	PUSHING LEVER (B)	1 FOR MODLE (S)
*	39	881-742	BLADE GUIDE	1
*	39A	887-689	BLADE GUIDE	1 FOR MODLE (S)
40	887-172	ADJUSTER	1	
41	881-765	RATCHET SPRING	2	
42	884-324	PUSHING LEVER (A)	1	
43	881-751	NOSE CAP (A)	1	
44	949-770	ROLL PIN D4 X 14 (10 PCS.)	1	
45	949-685	ROLL PIN D3 X 20 (10 PCS.)	1	
46	877-371	NYLON NUT M5	3	
47	881-774	SLEEVE	1	

**PARTS**

NT 65MA4

ITEM NO.	CODE NO.	DESCRIPTION	NO. USED	REMARKS
48		GRIP RUBBER	1	SUPPLIED WITH ITEM NO. 601, 602
49		CAUTION PLATE	1	
50	887-171	GASKET (B)	1	
51	884-343	CAP (A)	1	
52	949-821	HEX. SOCKET HD. BOLT M5 X 16 (10 PCS.)	3	
53		AIR PLUG NPT 1/4	1	
54	886-342	HITACHI PLATE	1	
55	949-864	ROLL PIN D3 X 22 (10 PCS.)	1	
56	949-866	ROLL PIN D3 X 30 (10 PCS.)	2	
* 57	887-166	TRIGGER (C)	1	
* 58	885-689	TRIGGER ARM (C)	1	
59	881-951	ROLL PIN D2.5 X 16	1	
* 60	885-640	PUSHING LEVER GUIDE	1	
61	959-155	STEEL BALL D3.97 (10 PCS.)	1	
* 62	982-454	SPRING (C)	1	
* 63	886-265	CHANGE KNOB (C)	1	
64	877-763	FEED PISTON O-RING (I.D. 14)	1	
65	884-963	VALVE BUSHING (B)	1	
66	873-570	O-RING (P-18)	1	
67	676-531	O-RING (P-7)	2	
68	884-964	VALVE PISTON	1	
69	872-654	O-RING (1AP-10)	1	
70	887-178	PLUNGER SPRING	1	
71	878-888	O-RING (I.D. 1.8)	2	
* 72	885-888	PLUNGER	1	
* 72A	887-679	PLUNGER	1	FOR MODLE (S)
73	884-962	VALVE BUSHING (A)	1	
* 74	878-183	WARNING LABEL	1	FOR EUROPE
* 75		LABEL	1	
* 75A		LABEL	1	FOR MODLE (S)
76	881-755	RIBBON SPRING	1	
77	885-997	MACHINE SCREW M5 X 15 (BLACK)	2	
78	881-773	HEX. SOCKET HD. BOLT (W/FLANGE) M5 X 20	1	
79	881-752	MAGAZINE COVER	1	
80	881-767	ROLL PIN D2.5 X 20 (STAINLESS)	1	
81	884-327	NAIL RAIL	1	
82	881-744	NAIL FEEDER (B)	1	
83	881-766	NAIL STOPPER	1	
84	880-321	PUSHING SPRING	1	
85	881-746	NAIL FEEDER (A)	1	
86	881-754	MAGAZINE	1	
* 87	887-668	CHANGE ROD (D)	1	FOR MODLE (S)
* 88	887-692	BODY ASS'Y	1	INCLUD. 48 FOR MODLE (S)
* 89	887-682	TRIGGER ARM SPRING	1	FOR MODLE (S)
* 90	887-693	PUSHING LEVER GUIDE (D)	1	FOR MODLE (S)
* 91	887-694	TRIGGER ARM (D)	1	FOR MODLE (S)
* 92	887-695	TRIGGER (D)	1	FOR MODLE (S)
* 93	887-675	ROLL PIN D3 X 35	1	FOR MODLE (S)
* 94	887-673	SPRING	1	FOR MODLE (S)
* 95	887-458	ROLL PIN D3 X 10 (10 PCS.)	1	FOR MODLE (S)

**PARTS**

NT 65MA4

ITEM NO.	CODE NO.	DESCRIPTION	NO. USED	REMARKS	
* 96	887-684	CHANGE KNOB (D)	1	FOR MODLE (S)	

**STANDARD ACCESSORIES**

ITEM NO.	CODE NO.	DESCRIPTION	NO. USED	REMARKS	
501	875-769	SAFETY GLASSES	1		
502	884-340	CASE	1		

**OPTIONAL ACCESSORIES**

ITEM NO.	CODE NO.	DESCRIPTION	NO. USED	REMARKS	
601	881-768	GRIP TAPE (A)	1		
602	880-407	TAPE	2		
603	877-153	PNEUMATIC TOOL LUBRICANT (30CC)	1		
604	874-042	PNEUMATIC TOOL LUBRICANT (120CC)	1		
605	876-212	PNEUMATIC TOOL LUBRICANT (1L)	1		
606	317-918	GREASE(ATTOLUB NO.2)500G	1		