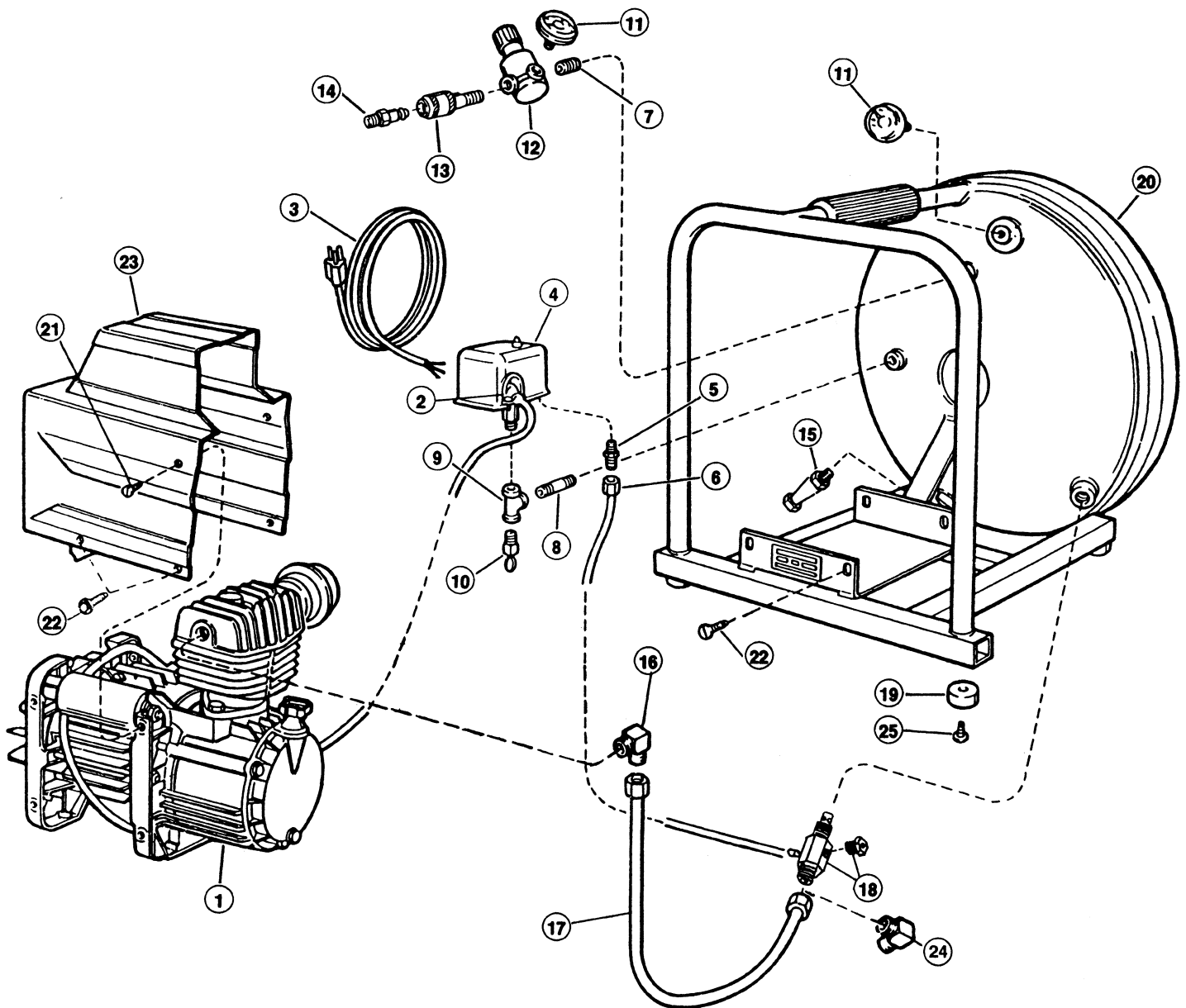


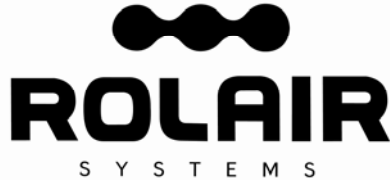


ROLAIR

SCHEMATIC FOR MODELS

D075HPV5 D1000LPV5 OD1500LPV5
D075LPV5 D1500HPV5 OD1500HPV5
D2002HPV5 D2000HPV5





ROLAIR SYSTEMS

606 S. Lake Street, P.O. Box 346
 Hustisford Wisconsin 53034-0346
 Phone: 920-349-3281
 Sales Fax: 920.349.3691
 Service Fax: 920.349.8861
www.rolair.com


PARTS LIST FOR MODELS

D075HPV5 D1500HPV5 OD1500LPV5
 D075LPV5 D2000HPV5 OD1500HPV5
 D1000LPV5 D2002HPV5

Schematic #	Description	Part #	Qty.
1	1 HP Pump Motor – Model D075HPV5	PMP11MK100FI	1
	1 HP Pump/Motor – Model D075LPV5	PMP11MK105FI	1
	1.5 HP Pump/Motor – Model D1000LPV5	PMP11MK135FI	1
	2 HP Pump/Motor – Model D1500HPV5	PMP11MK200FI	1
	2 HP Pump/Motor – Model OD1500LPV5*	PMP11MK150FI	1
	2 HP Pump/Motor – Model OD1500HPV5*	PMP11OL202FI	1
	2 HP Pump/Motor – Model D2000HPV5	PMP11MK200PFI**	1
	2 HP Pump/Motor – Model D2002HPV5	PMP11MK146FC**	1
2	Box Connector	160	2
3	Cord w/Plug	176	1
4	Pressure Switch	PS2020M	1
5	Pressure Switch Relief Valve	PS2020RV	1
6	¼" Nylon Tubing – 15"	178D	1.25'
	Brass Nut	BRNT0250	2
	Brass Ring	BRRG0250	2
	Brass Sleeve	BRSL0250	2
7	Nipple	BLNP0250X0875	1
8	Nipple	BLNP0250X1500	1
9	Tee	BLTE0250	1
10	Safety Valve	SRV0250N165	1
11	Gauge	GA0125200	2
12	Regulator	REG0250M	1
13	Quick Disconnect	308	1
14	Coupler Plug	310	1
15	Drain Valve	132B	1
16	Brass Elbow	BREL0500X037539	1
	Brass Straight - OD1500LPV5* Only	BRST0500X050038	1
17	½" Copper Tube	Specify Model/Serial #	1
18	Check Valve		
	D1500HPV5 & OD1500LPV5* Only	CV4X4TWB	1
	OD1500HPV5* Only	CV3X4TWB	1
	All other models	CV4X4T	1
	Bleeder Valve	CSV0125	1
19	Rubber Foot	219B	4
20	Tank Assembly	Specify Model	1
21	Screw	014006121F	2
22	Screw	MIS10036	4
23	Shroud - OD1500LPV5* Only	116004006F	1
	OD1500HPV5* Only	116005030F	1
	All other models	199657000F	1
24	Brass Elbow - OD1500HPV5* Only	BREL0500X037539	1
25	Screw	MIS10093C	4

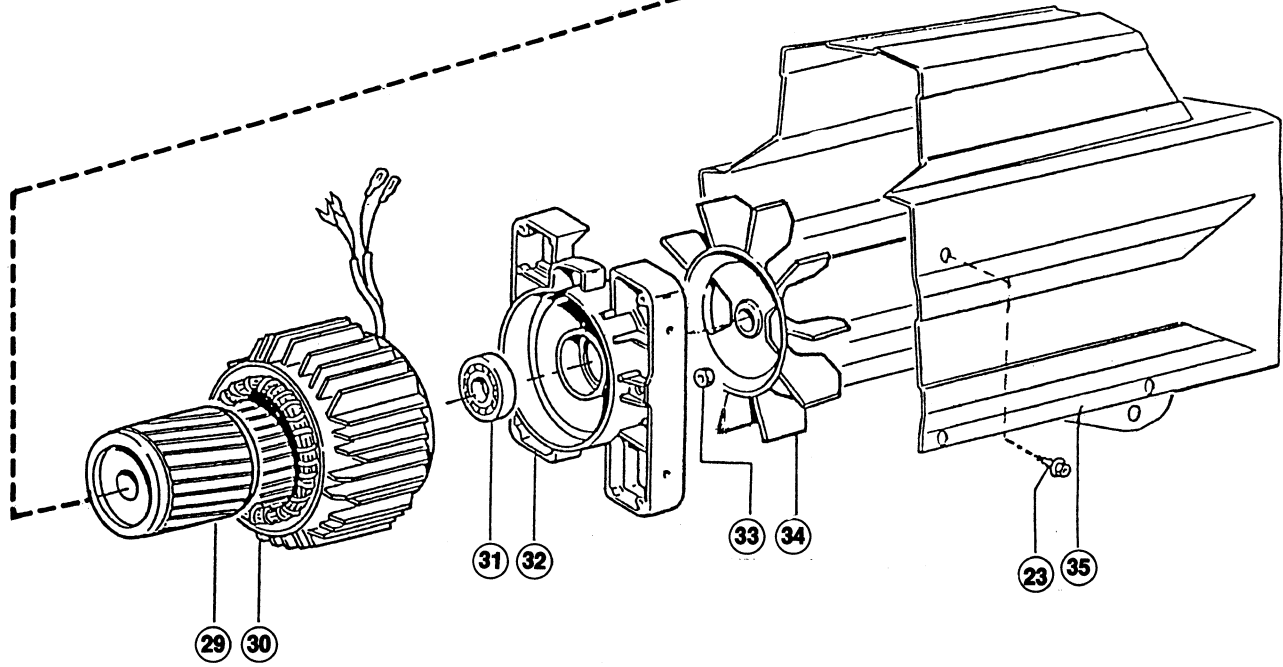
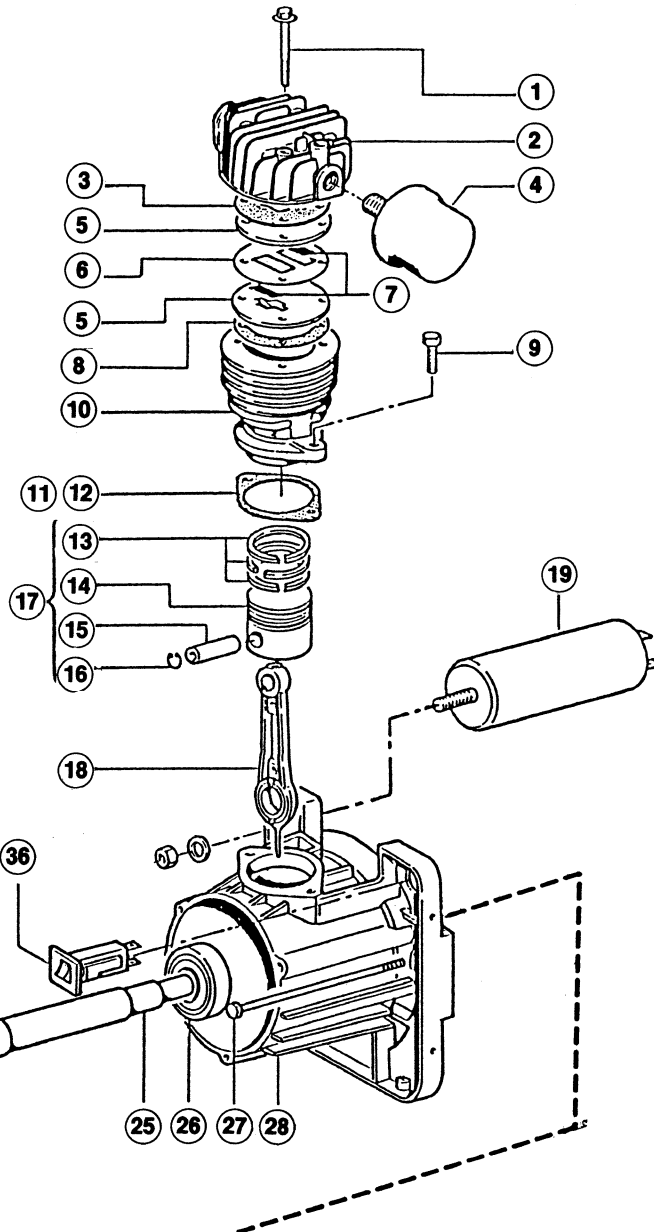
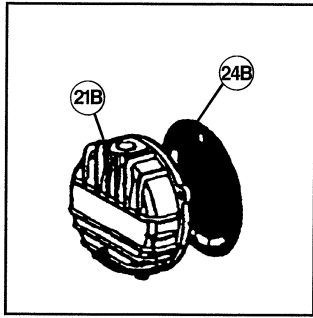
*Oilless Models

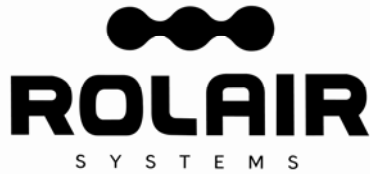
**Location of intake filter is reversed from standard factory position. Please indicate model number when ordering.



ROLAIR

SCHEMATIC FOR
PMP11MK100FI





ROLAIR SYSTEMS

606 S. Lake Street, P.O. Box 346
 Hustisford Wisconsin 53034-0346
 Phone: 920-349-3281
 Sales Fax: 920.349.3691
 Service Fax: 920.349.8861
www.rolair.com

PARTS LIST FOR PMP11MK100FI

Schematic #	Description	Part #	Qty.
1	Bolt	014002021F	4
2	Head	116034010F	1
3	Gasket	116011037F	1
4	Intake Filter Assembly	317013000F	1
	Filter Element	317013004FE	1
5	Valve Plate	116011020F	2
6	Gasket	113113036F	1
7	Valve	113113005F	2
8	Gasket	113113034F	1
9	Bolt	MIS10049	2
10	Cylinder	116034006F	1
11	Gasket – if manufactured before 6/97	116022023F	1
12	O-Ring – if manufactured before 6/97	010114000F	1
13	Ring Set	216011003F	1
14	Piston	116011027F	1
15	Piston Pin	113113003F	1
16	Snap Ring	015001000F	2
17	Piston Assembly	416011027F	1
18	Connecting Rod	116091021F	1
19	Capacitor	009200026F	1
20	Dipstick	012036000F	1
21A	Crankcase Cover	116022006F	1
21B	Crankcase Cover*	N.L.A.	
22	Drain Plug	014013024F	1
23	Screw	014006121F	11
24A	O-Ring	010013000F	1
24B	Diaphragm	116001025F	1
25	Crankshaft	116034004F	1
26	Bearing	033018000F	1
27	Bolt	116011038F	2
28	Motor Housing	116022051F	1
29	Rotor	116034001F	1
30	Stator	416085641F	1
31	Bearing	033005000F	1
32	End Bell	116011002F	1
33	Nut	014003002F	2
34	Fan	116001003F	1
35	Shroud	119100070F	1
36	Manual Reset Button	008015000F	1
	Gasket Set	216085001F	1

*Use 116022006F cover and 116001025F diaphragm