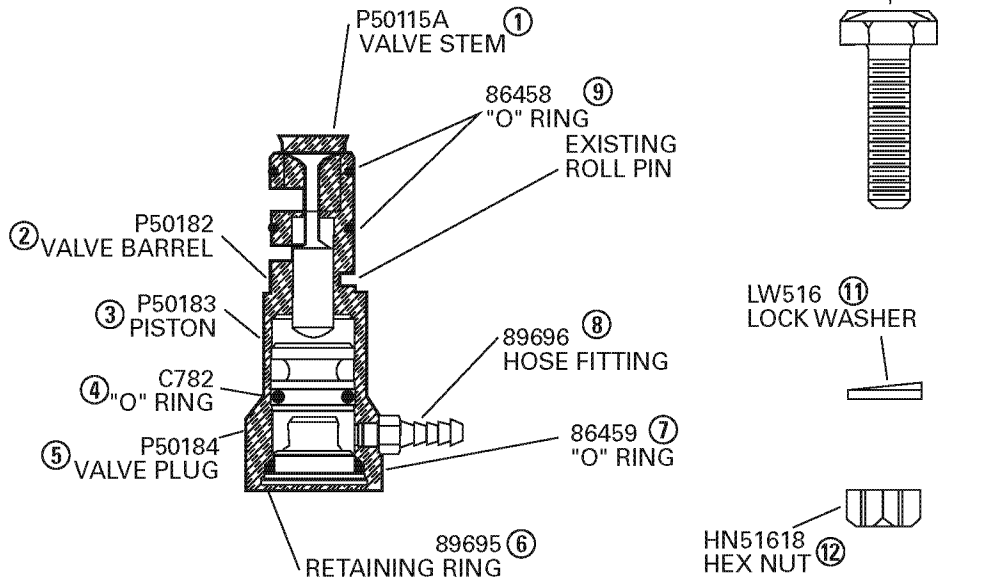
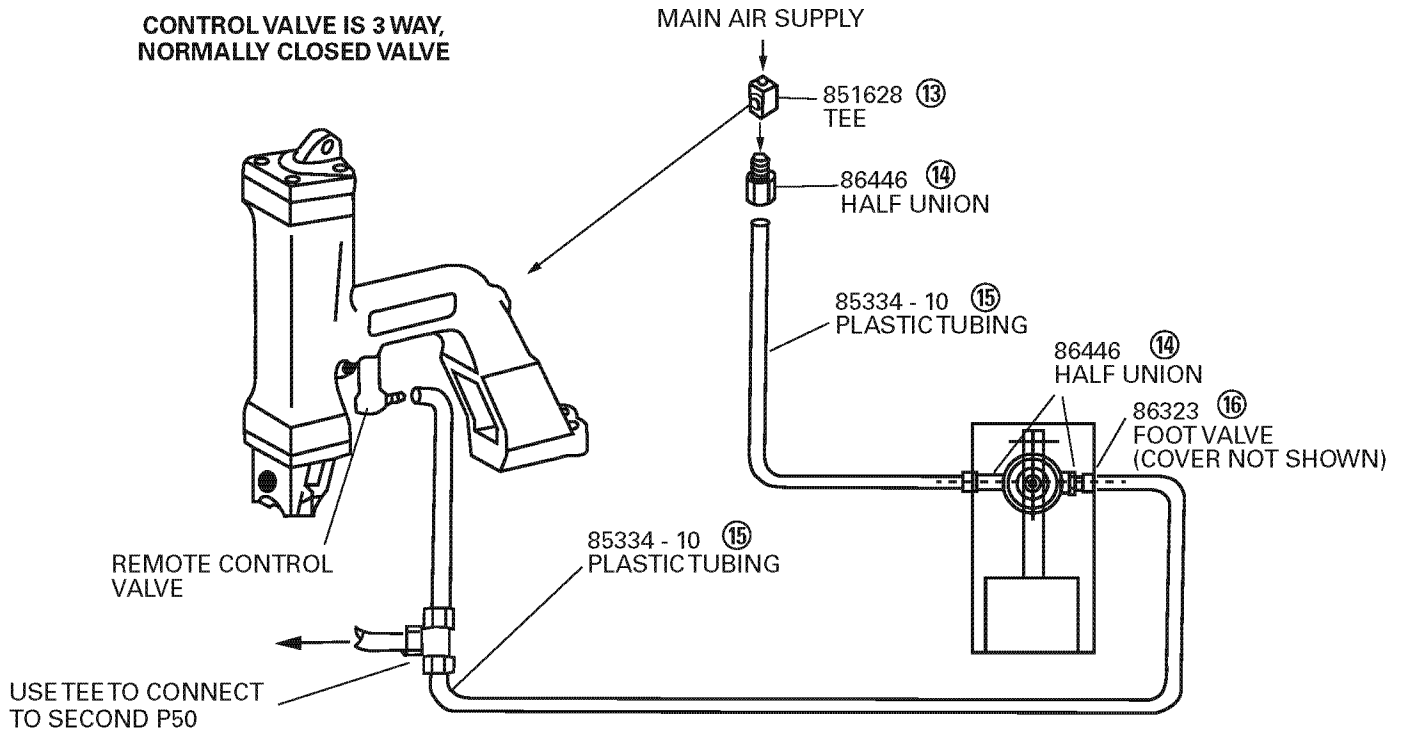


**P50181  
REMOTE CONTROL VALVE  
AND CLINCHER KIT**



**P50K1  
ASSEMBLY INSTALLATION  
WITH REMOTE CONTROL KIT**

**CONTROL VALVE IS 3 WAY,  
NORMALLY CLOSED VALVE**



## Parts List for P50181 Type 0

Item Number	Part Number	Description	Qty Required
1	P50115A	TRIGGER VALVE STEM	1
2	P50182	VALVE BARREL	1
3	P50183	PISTON	1
4	C782	O-RING-.424X.103	1
5	P50184	VALVE PLUG	1
6	89695	RING- RETAINER	1
7	86459	O-RING	1
8	89696	FITTING- HOSE	1
9	86458	O-RING	2
10	P50185	CLINCHER	1
11	LW516	WASHER-5/16 REG HEL	1
12	HN51618	NUT-5/16-18 HEX BLAC	1