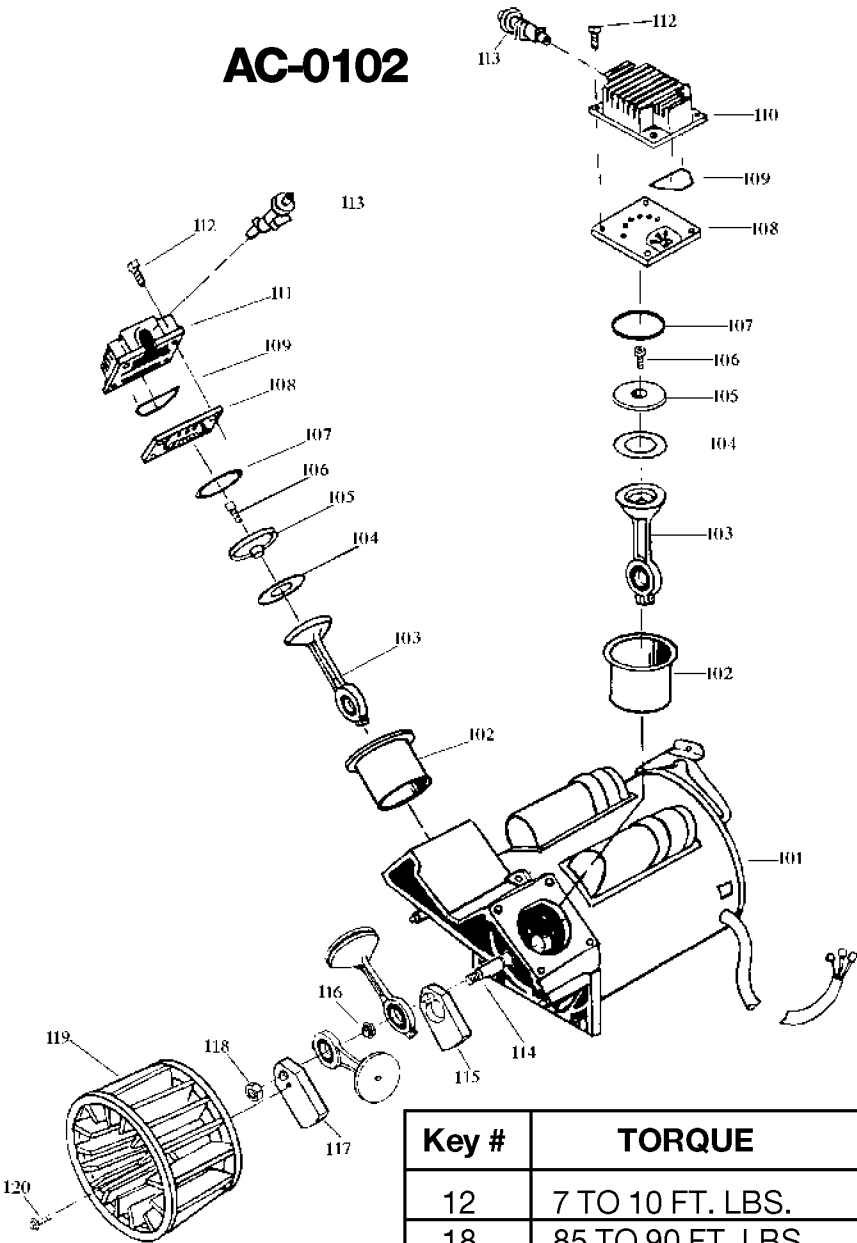


AC-0102



| Key # | TORQUE |
|------------------------------|-------------------|
| 12 | 7 TO 10 FT. LBS. |
| 18 | 85 TO 90 FT. LBS. |
| 20 | 75 TO 90 IN. LBS. |
| * TORQUE WRENCH MUST BE USED | |

Parts List for PAFTV660V Type 3

| Item Number | Part Number | Description | Qty Required |
|-------------|--------------|----------------------|--------------|
| 1 | DAC-243 | SHROUD REAR TWIN CYL | 1 |
| 2 | DAC-244 | SHROUD FRONT TWIN CY | 1 |
| 3 | SSF-553-1 | SCREW #10-24X.563 TH | 3 |
| 4 | SSG-3102 | ORING .176 X .070 IS | 3 |
| 5 | ACG-13 | COVER INTAKE MUFFLER | 1 |
| 6 | ACG-12 | ELEMENT FILTER INTAK | 1 |
| 7 | SSF-554 | SCREW #10-14X2.50 PA | 2 |
| 8 | 000000-00 | No Longer Available | 1 |
| 9 | AC-0099 | TUBE OUTLET .375OD A | 1 |
| 10 | SSP-7813 | ASSY NUT SLEEVE 3/8 | 1 |
| 12 | SSP-7821-1 | NUT .563-18 UNF HEX | 3 |
| 13 | SSG-3105 | ORING 306/296ID 073/ | 3 |
| 14 | A19711 | VALVE CHECK 1/2NPT X | 1 |
| 15 | SS-8553 | CONNECTOR BODY | 1 |
| 16 | SSP-7811 | ASSY NUT SLEEVE 1/4 | 2 |
| 17 | 000000-00 | No Longer Available | 1 |
| 19 | 000000-00 | No Longer Available | 1 |
| 20 | 33821-00 | BUSHING | 1 |
| 20 | 438010040063 | HEYCO BUSHINGS | 1 |
| 21 | GA-360-B | GAUGE 300 PSI BACK M | 1 |
| 22 | 97503734 | VALVE SAFETY 150 .12 | 1 |
| 23 | SS-2072-1 | NIPPLE .375 NPT X 1. | 1 |
| 24 | SSV-812 | VALVE GLOBE 200 PSI | 1 |
| 25 | AC-0217 | MANIFOLD | 1 |
| 26 | ACG-18 | CUP SADDLE MOUNT | 2 |
| 27 | SSF-990 | SCREW .250-20X1.25 U | 2 |
| 28 | ACG-19 | ISOLATOR 3 POINT MOU | 3 |

Parts List for PAFTV660V Type 3

| Item Number | Part Number | Description | Qty Required |
|-------------|-------------|----------------------|--------------|
| 30 | N286039 | DRAIN VALVE | 1 |
| 101 | 000000-00 | No Longer Available | 1 |
| 102 | K-0650 | KIT COMP RING REPLAC | 1 |
| 103 | A02743 | KIT CONNECTING ROD | 1 |
| 104 | K-0650 | KIT COMP RING REPLAC | 1 |
| 105 | ACG-29 | CAP CONNECTING ROD C | 2 |
| 106 | SSF-3158-1 | SCREW #10-24X.750 TH | 1 |
| 107 | SSG-8156 | ORING 2.759/2.719ID | 2 |
| 108 | Z-AC-0032 | ASSY VALVE PLATE | 2 |
| 109 | ACG-45 | ORING P/L HEAD | 2 |
| 110 | AC-0037 | HEAD 3/8 OUTLET FRON | 1 |
| 111 | AC-0038 | HEAD 3/8 OUTLET FRON | 1 |
| 112 | SSF-927 | SCREW .250-20X1.125 | 8 |
| 113 | ACG-11 | MUFFLER INTAKE 2 CYL | 2 |
| 114 | ACG-8 | PIN ECCENTRIC | 1 |
| 115 | 000000-00 | No Longer Available | 1 |
| 116 | ACG-9 | WASHER ALIGN | 1 |
| 117 | 000000-00 | No Longer Available | 1 |
| 118 | ACG-23 | NUT .500-20 UNF-2A H | 1 |
| 119 | ACG-22 | FAN RADIAL 6.0 OD | 1 |
| 120 | 39124607 | SCREW .250-20X.625 H | 1 |
| 856 | A02743 | KIT CONNECTING ROD | 1 |
| 856 | KK-4315 | KIT VALVE REPLACEMEN | 1 |
| 856 | K-0650 | KIT COMP RING REPLAC | 1 |