

Industrial Vacuum Cleaner - 0 603 269 834 - PAS 10...

www.powertools-aftersaleservice.com



BOSCH

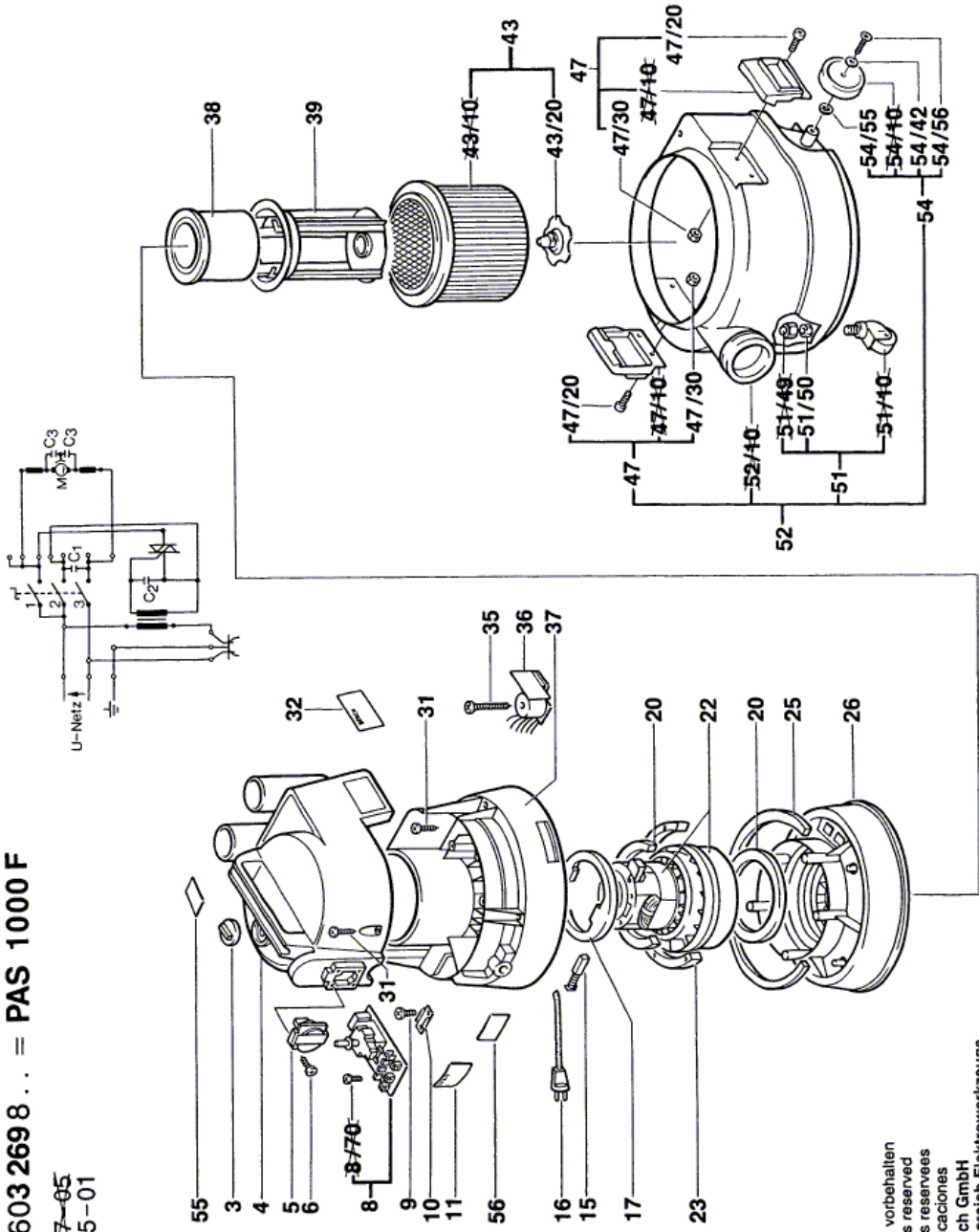
Item	Part Number	Description	Illustration	Price	Quantity	Price Group
3	1 609 201 656	Switch Button	1	-,-	1	18
4	1 609 202 376	Covering hood	1	-,-	1	32
6	2 910 612 519	Tapping Screw DIN 7983-ST3,9x19-C-H	1	-,-	4	10
9	2 910 211 208	Tapping Screw DIN 7971-B2,9x19	1	-,-	2	10
10	1 609 201 659	Clamp	1	-,-	1	13
11	1 601 110 568	Nameplate	1	-,-	1	-
15	1 609 201 699	Carbon-Brush Set	1	-,-	1	32
17	1 609 201 666	Air-Deflector Ring	1	-,-	1	16
20	1 609 201 669	Seal ring	1	-,-	2	18
22	1 609 202 369	Suction Blower 110-115V	1	-,-	1	52
23	1 609 201 672	Air Filter	1	-,-	1	14
25	1 609 201 674	Air Filter	1	-,-	1	12
26	1 609 201 714	Intermediate Flange	1	-,-	1	-
31	2 910 611 015	Tapping Screw DIN 7981-B3,5x25	1	-,-	11	11
32	1 601 110 572	Reference Plate	1	-,-	2	-
35	1 609 201 681	Tapping Screw 3,5x32 MM	1	-,-	1	11
37	1 609 201 715	Intermediate housing	1	-,-	1	-
38	1 609 200 952	Float	1	-,-	1	22
39	1 609 201 684	Suction Basket	1	-,-	1	19
43	1 609 201 636	Air Filter Ø 148x188x165 MM	1	-,-	1	-
43/20	1 609 202 200	Star Knob	1	-,-	1	12
47	1 609 201 690	Bent-Lever Closure	1	-,-	2	24
47/20	2 910 021 193	Socket head cap screw DIN 84-AM6x12-8.8	1	-,-	4	10
47/30	2 915 011 007	Hex Nut DIN 934-M6-8-A	1	-,-	4	10
51	1 609 201 691	Impeller	1	-,-	1	25
51/50	2 915 011 009	Hex Nut DIN 934-M8-8-A	1	-,-	1	11
52	1 609 201 716	Dust container GREEN	1	-,-	1	-
54	1 609 202 221	Impeller	1	-,-	2	24
54/42	1 609 202 726	Plain Washer Ø4,2xØ11x1,2MM	1	-,-	2	11
54/55	2 916 011 016	Plain Washer DIN 125-A 8,4-ST	1	-,-	2	10
54/56	2 910 611 027	Tapping Screw DIN 7981-B4,2x19	1	-,-	2	10
55	1 601 110 573	Reference Plate	1	-,-	1	-
651	1 609 200 968	Suction Pipe Ø 49 MM, L=0,5 M	3	-,-	2	-

Item	Part Number	Description	Illustration	Price	Quantity	Price Group
652	1 609 200 969	Suction Nozzle Ø 49 MM	3	-,-	1	-
653	1 609 200 970	Suction Nozzle Ø 49 MM, 350 MM	3	-,-	1	-
653/10	1 609 201 109	Flat Brush	3	-,-	1	20
653/20	1 609 201 110	Flat Brush	3	-,-	1	20
654	1 609 200 971	Crevice Nozzle Ø 49 MM	3	-,-	1	-
655	1 609 200 976	Suction Pipe Ø 49/35 MM	3	-,-	1	-
700	2 607 000 165	Crevice Nozzle Ø 35 MM, L= 250 MM	3	-,-	1	-
702	1 609 200 933	Reduction Sleeve Ø 49/35 MM+3/4"	3	-,-	1	-
703	1 609 201 628	Paper Bag	3	-,-	1	-
704	2 607 432 010	Dust Separator	3	-,-	1	-
705	1 609 201 627	Guide Bracket	3	-,-	1	-
705/20	1 609 201 661	Parts Set	3	-,-	1	-
706	1 609 201 236	Nozzle Set	2	-,-	1	-
706/10	1 609 202 230	Air Hose Ø35 MM, L=5 M	2	-,-	1	-
706/20	1 609 201 271	Suction Brush	2	-,-	1	-
706/30	1 609 201 272	Suction Brush	2	-,-	1	-
706/40	1 609 201 273	Suction Brush	2	-,-	1	-
706/50	1 609 200 933	Reduction Sleeve Ø 49/35 MM+3/4"	2	-,-	1	-
707	2 607 000 163	Air Hose Ø 35 MM, 2 M,1	2	-,-	1	-
707/1	1 609 202 230	Air Hose Ø35 MM, L=5 M	2	-,-	1	-
708	1 609 201 229	Suction Nozzle Ø 35 MM	2	-,-	1	-
709	1 609 201 230	Suction Nozzle Ø 35 MM	2	-,-	1	-
710	1 609 201 231	Flat Suction Nozzle Ø 35 MM-200 MM	2	-,-	1	-
711	1 609 201 232	Suction Pipe Ø 35 MM, L=0,5 M	2	-,-	1	-
712	1 609 201 233	Upholstery Nozzle Ø 35 MM	2	-,-	1	-
713	1 609 201 234	Suction Brush	2	-,-	1	-
714	1 609 201 235	Suction Nozzle Ø 49 MM	3	-,-	1	-
750	2 607 000 167	Air Hose Ø 49 MM, 3 M,1	3	-,-	1	-

Illustration - Type E

Typ 0 603 269 8 ... = PAS 1000 F

Stand ~~87-05~~
Issue 95-01

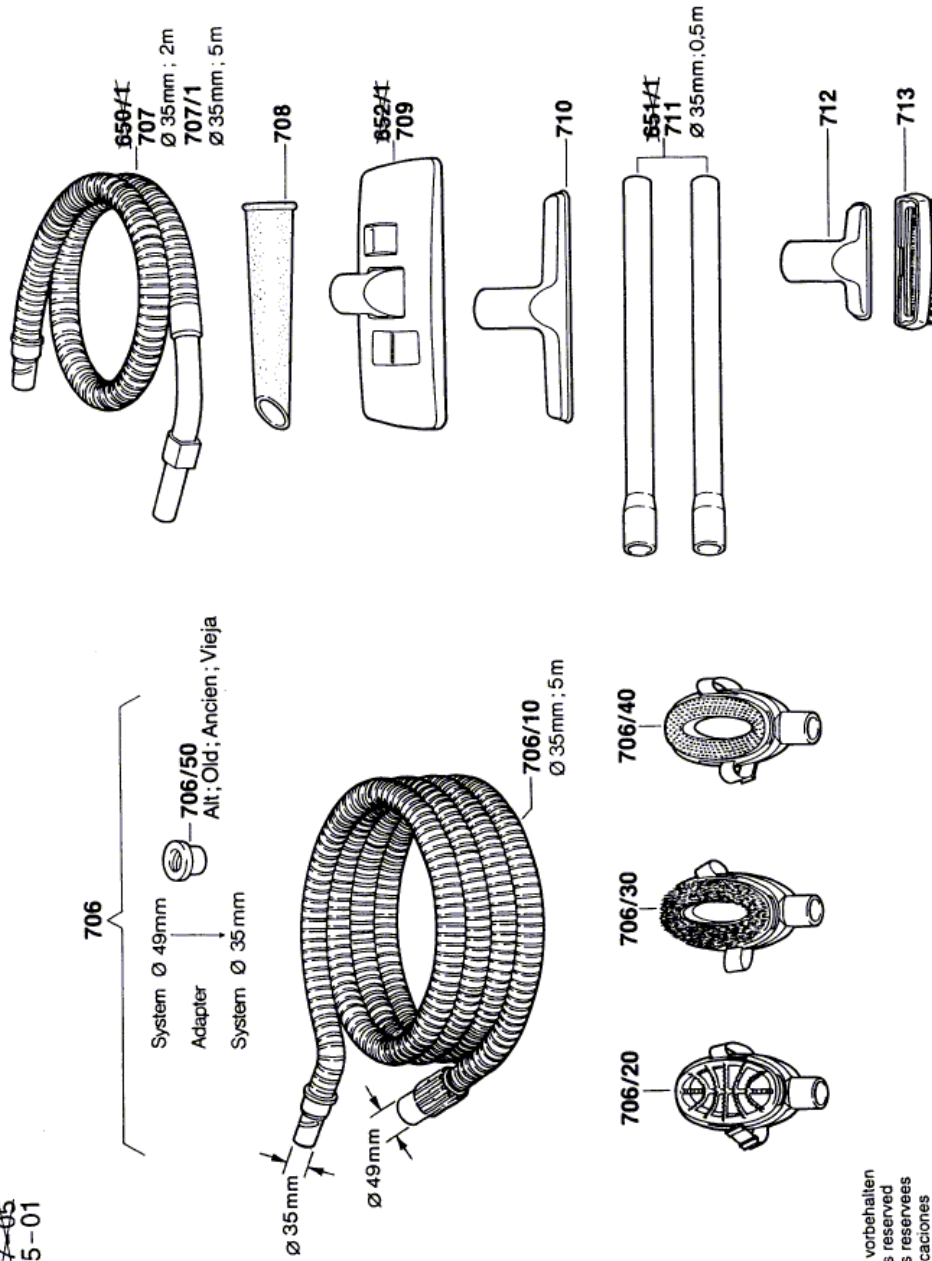


Änderungen vorbehalten
Modifications reserved
Modificacions reserves
Salvo modificaciones
Robert Bosch GmbH
Geschäftsbereich Elektrowerkzeuge
70745 Leinfelden-Echterdingen

Illustration - Type E

Typ 0 603 269 8 . . = PAS 1000 F

Stand ~~187-05~~
Issue 95-01

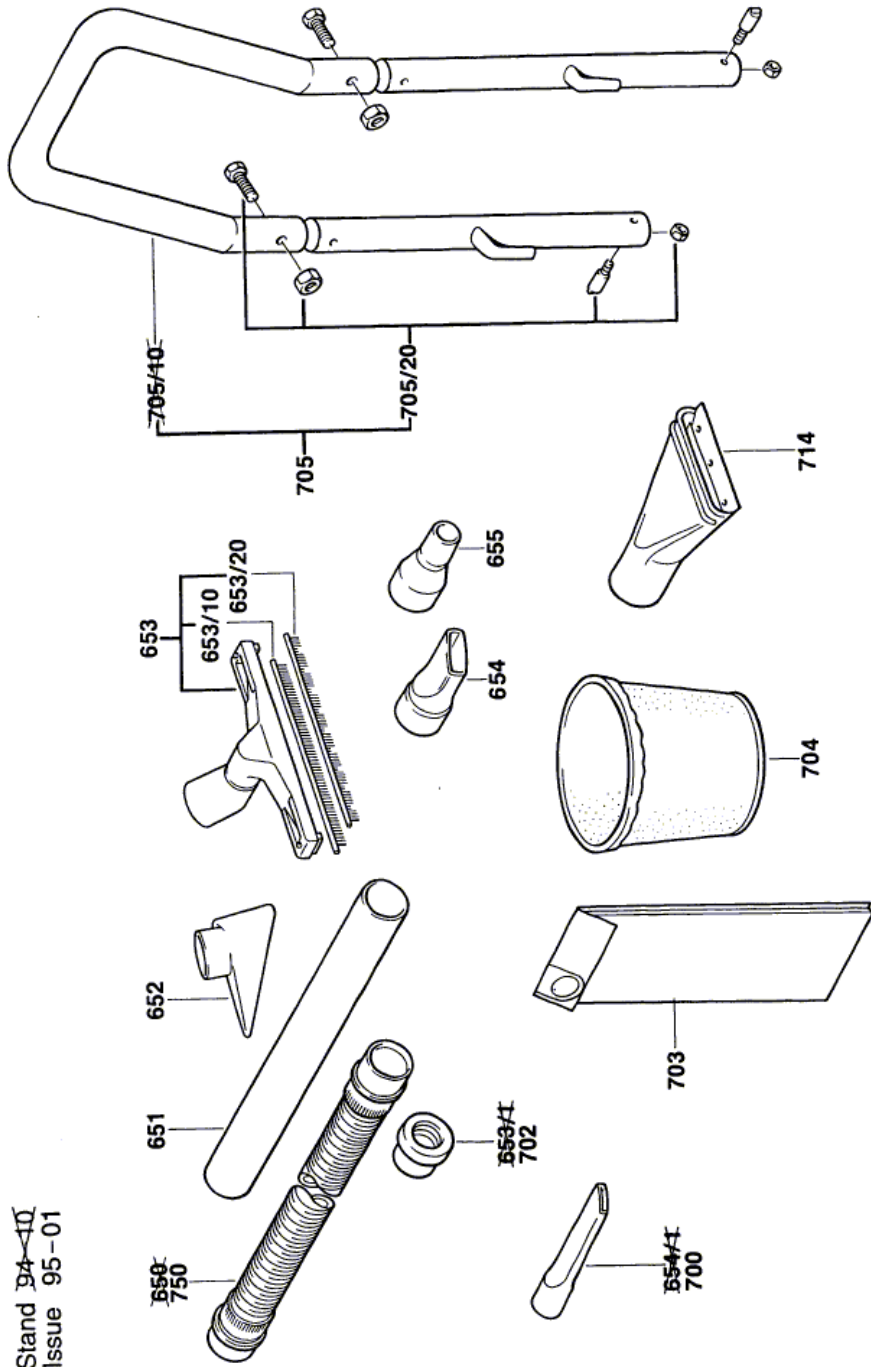


Änderungen vorbehalten
Modifications reserved
Modifications reserves
Salvo modificaciones
Robert Bosch GmbH
Geschäftsbereich Elektrowerkzeuge
70745 Leinfelden-Echterdingen

Illustration - Type E

Typ 0 603 269 8 . . = PAS 1000 F

Stand ~~94-10~~
Issue 95-01



Anderungen vorbehalten
Modifications reserved
Modificaciones reservadas
Salvo modificaciones
Robert Bosch GmbH
Geschäftsbereich Elektrowerkzeuge
70745 Leinfelden-Echterdingen

Information subject to change without further notice.