

Tanaka Illustrated Parts Manual

Model Number:

PB-SE833

Moby 33cc PowerBoard

P/N 32231

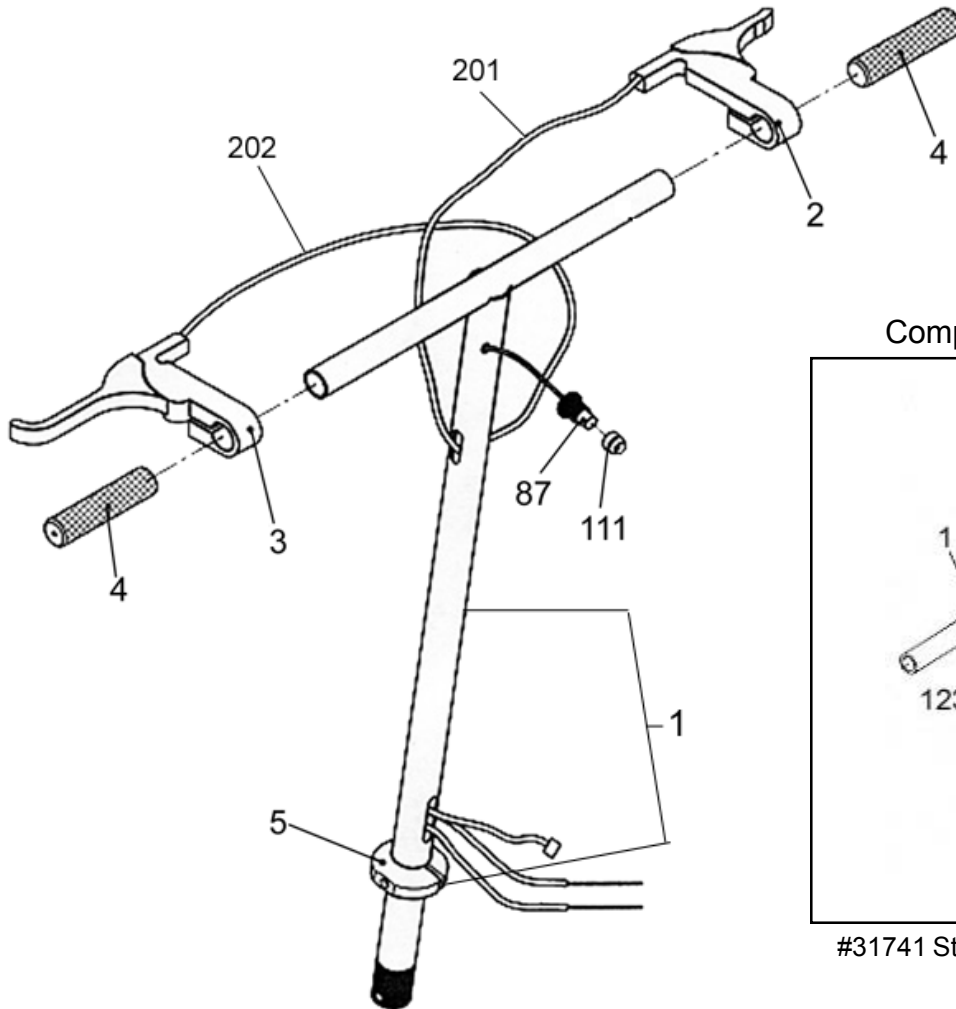
Rev 000

Date 3-30-04

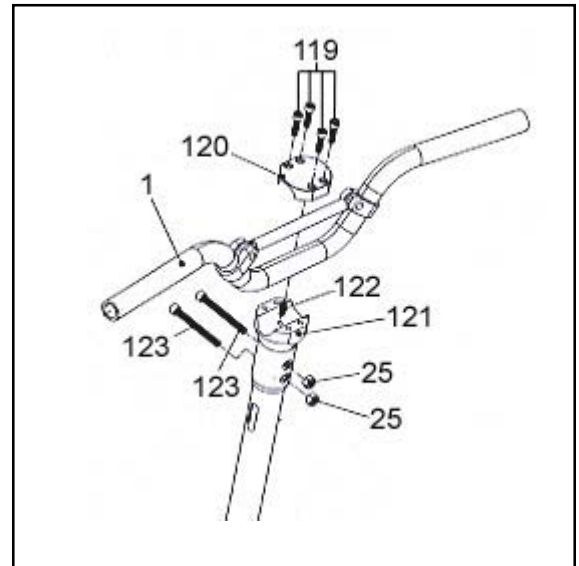


Supplier To The Outdoor Power Equipment Industry

ISM, Inc. • 1028 4th Street SW • Auburn, WA 98001 • Phone: (253) 333-1200 • Fax: (253) 333-1212



Competition Handle Kit #31347



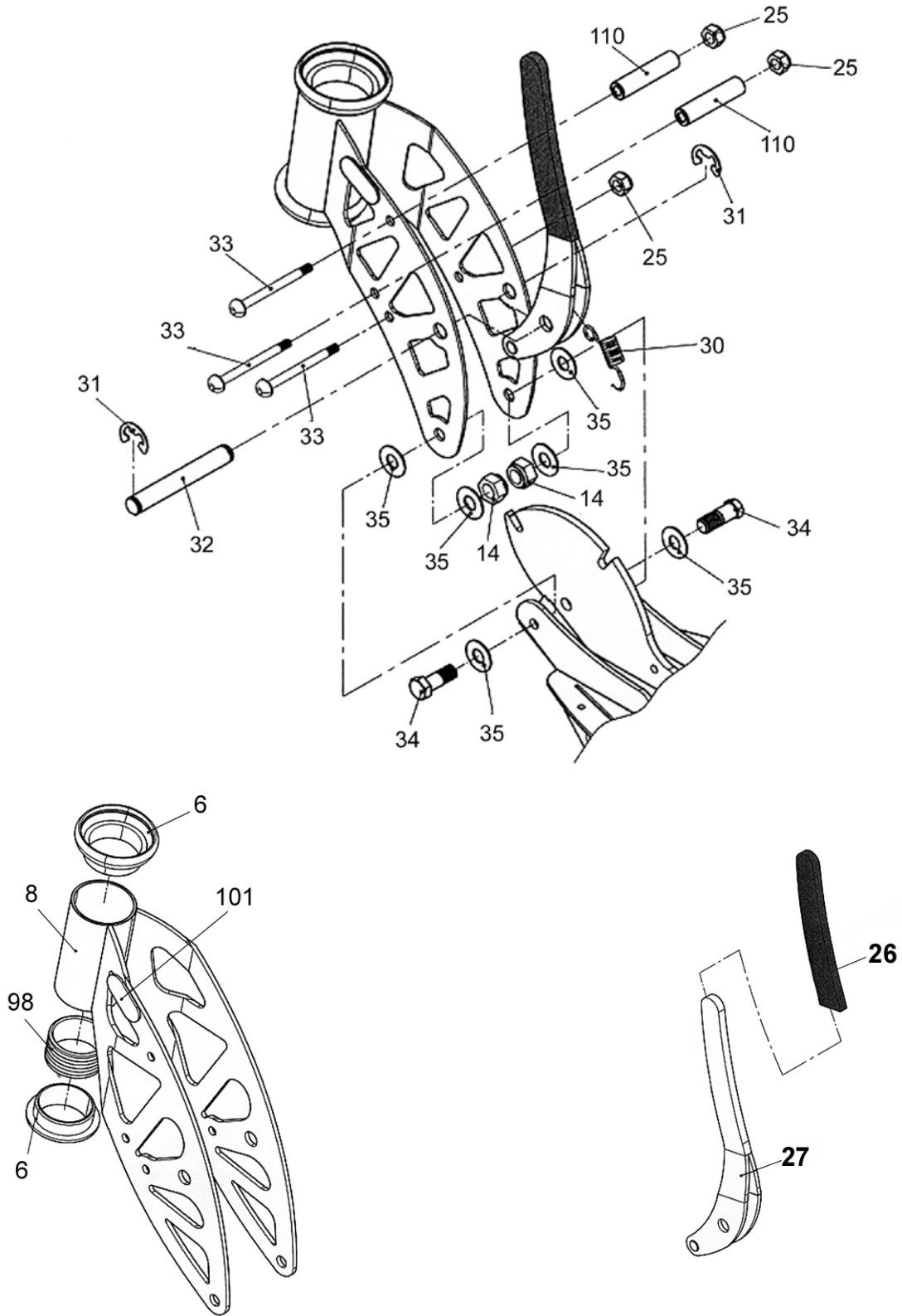
#31741 Stop Switch included but not shown.

ITEM	PART NUMBER	DESCRIPTION	QTY	COMMENTS
1-1	30990	HANDLE BAR,(CHROME)	1	
1-2	30799	THROTTLE LEVER ASSY	1	
1-3	30801	LEVER,BRAKE	1	
1-4	30798	GRIP,HANDLE	2	
1-5	31071	HANDLE BAR SLEEVE	1	
1-87	30806	SWITCH,BUTTON	1	
1-111	30938	CAP,SWITCH	1	
1-201	31228	CABLE, THROTTLE	1	
1-202	31229	CABLE, BRAKE	1	

COMPETITION HANDLE KIT (#31347) COMPONENTS

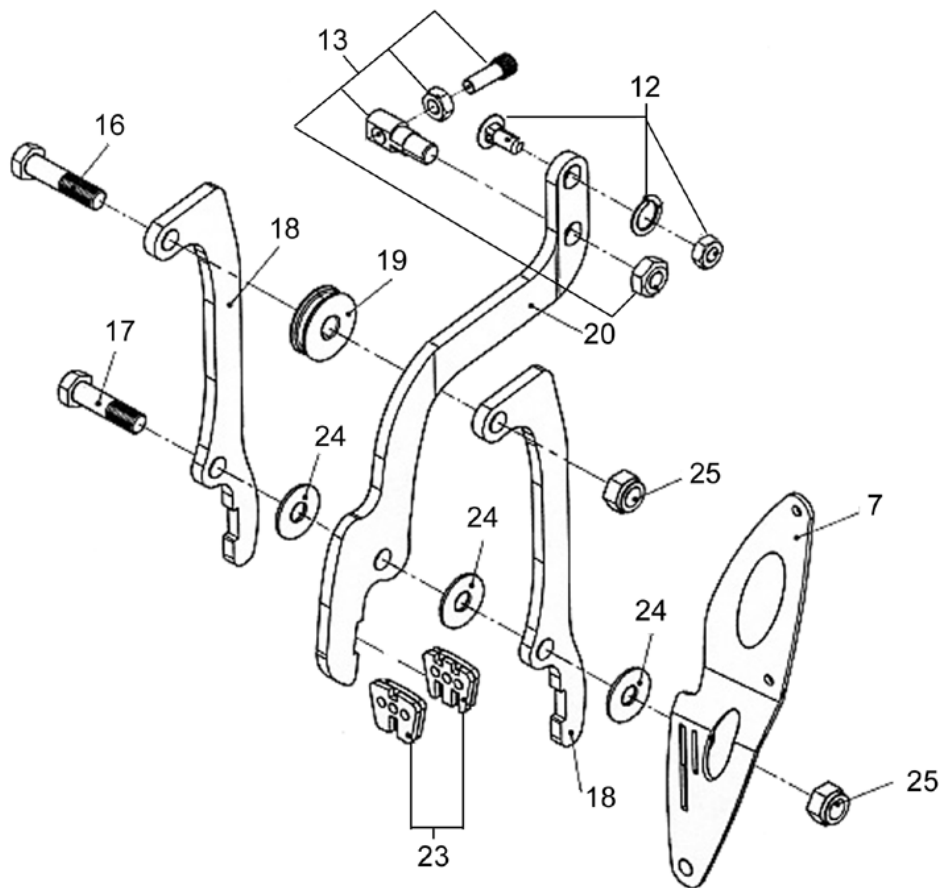
ITEM	PART NUMBER	DESCRIPTION	QTY	COMMENTS
1	31552	HANDLEBAR,COMPETITION	1	
25	31658	NUT	2	
119	31563	BOLT,M6xP1.0x20	4	
120	31564	STEERING STEM CAP	1	
121	31565	STEERING STEM	1	
122	31566	BOLT,M6xP1.0x15	1	
123	31567	BOLT,M6xP1.0x42	2	

HEAD PIPE & FOLDING HANDLE • FIGURE 2

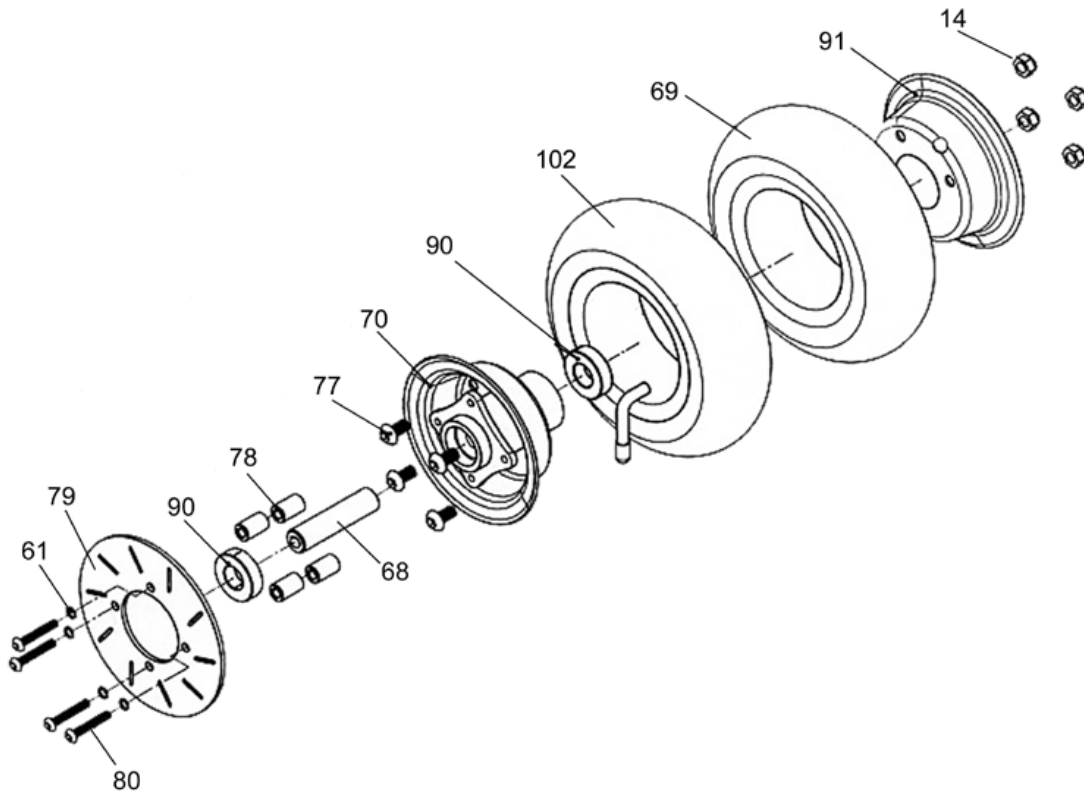


HEAD PIPE & FOLDING HANDLE • FIGURE 2

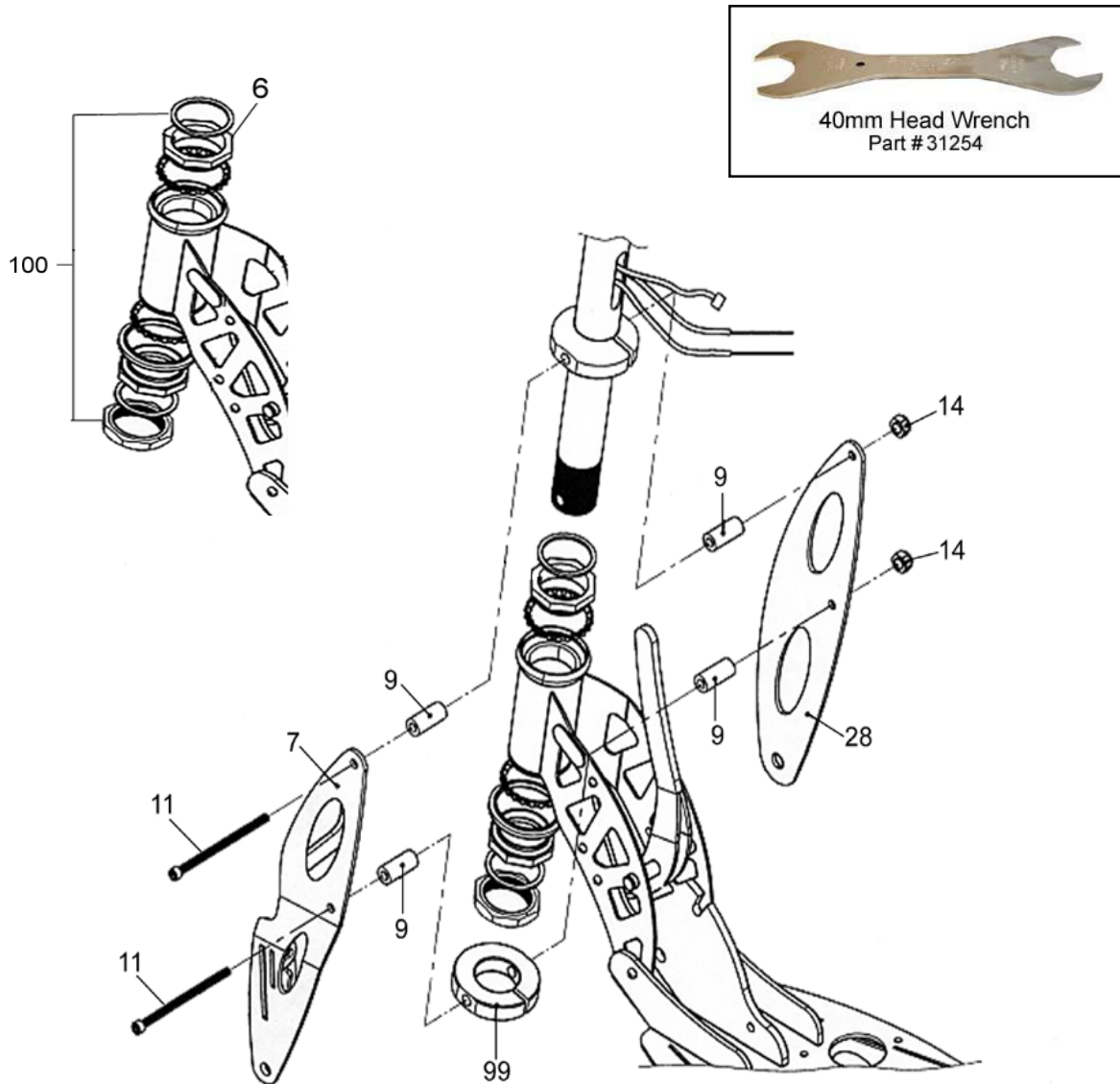
ITEM	PART NUMBER	DESCRIPTION	QTY	COMMENTS
2-6	30845	SPACER,FRONT HANDLE	1	
2-8	30846	TUBE,HEAD (RED)	1	
2-8	30847	TUBE,HEAD (BLACK)	1	
2-8	30848	TUBE,HEAD,(BLUE)	1	
2-14	30821	NUT,M8xP1.25	2	
2-25	30936	NUT,M6xP1.0	3	
2-26	30870	GRIP,FOLDING HANDLE	1	
2-27	30871	HANDLE,FOLDING,(RED)	1	
2-27	30954	HANDLE,FOLDING,(BLACK)	1	
2-27	30955	HANDLE,FOLDING,(BLUE)	1	
2-30	30869	SPRING,FOLDING HANDLE	1	
2-31	30862	RING,E	2	
2-32	30863	PIN,HEAD TUBE	1	
2-33	30868	BOLT	3	
2-34	30866	BOLT	2	
2-35	30864	WASHER	6	
2-98	30849	BUSHING,RUBBER	1	
2-101	30850	PADS,RUBBER	2	
2-110	31078	SPACER,T-937	2	



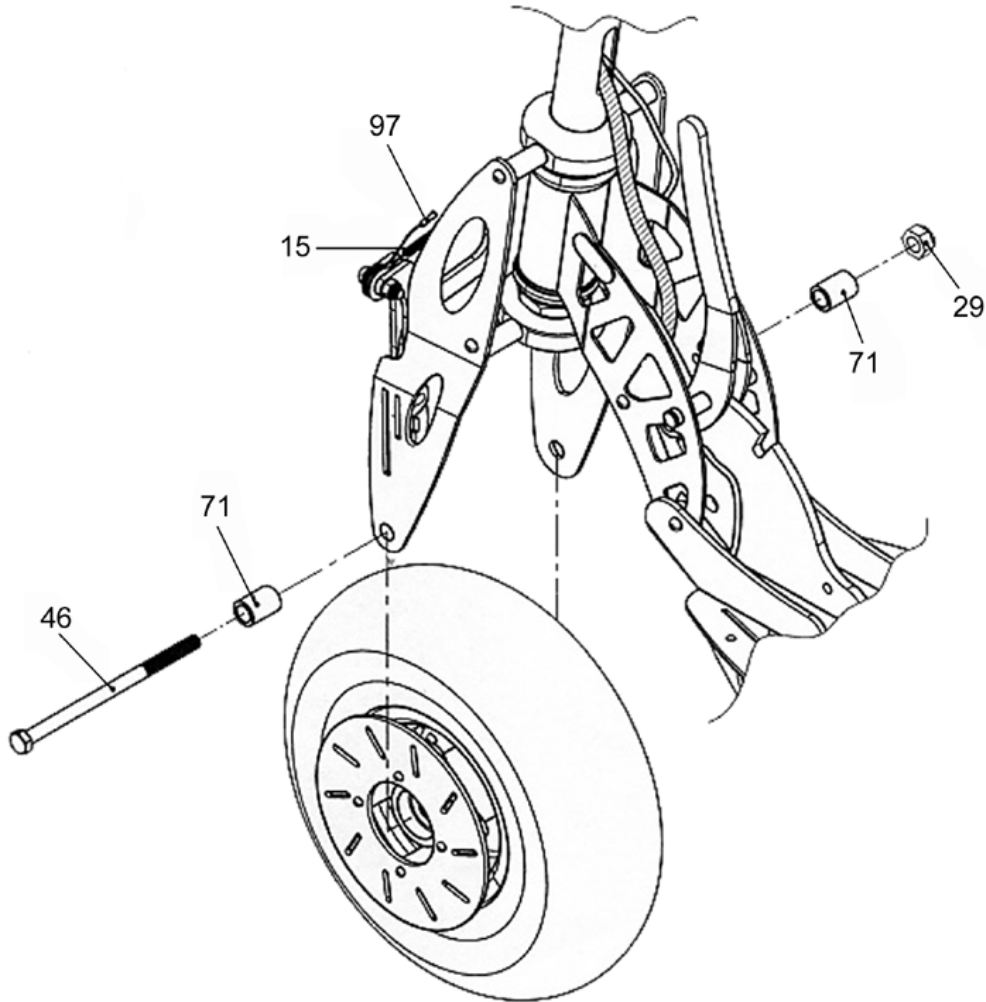
ITEM	PART NUMBER	DESCRIPTION	QTY	COMMENTS
3-7	30861	LEFT FRONT FORK (CHROME)	1	
3-12	30851	KIT, BRAKE ARM HDWE	1	
3-13	30852	KIT, BRAKE CABLE RECEIVER	1	
3-16	30855	BOLT	1	
3-17	30859	BOLT	1	
3-18	30854	ARM, BRAKE, (SMALL)	1	
3-19	30856	WHEEL, BRAKE	1	
3-20	30853	ARM, BRAKE, (LARGE)	1	
3-23	30930	BRAKE PAD SET	1	
3-24	30860	WASHER	3	
3-25	30936	NUT, M6xP1.0	2	



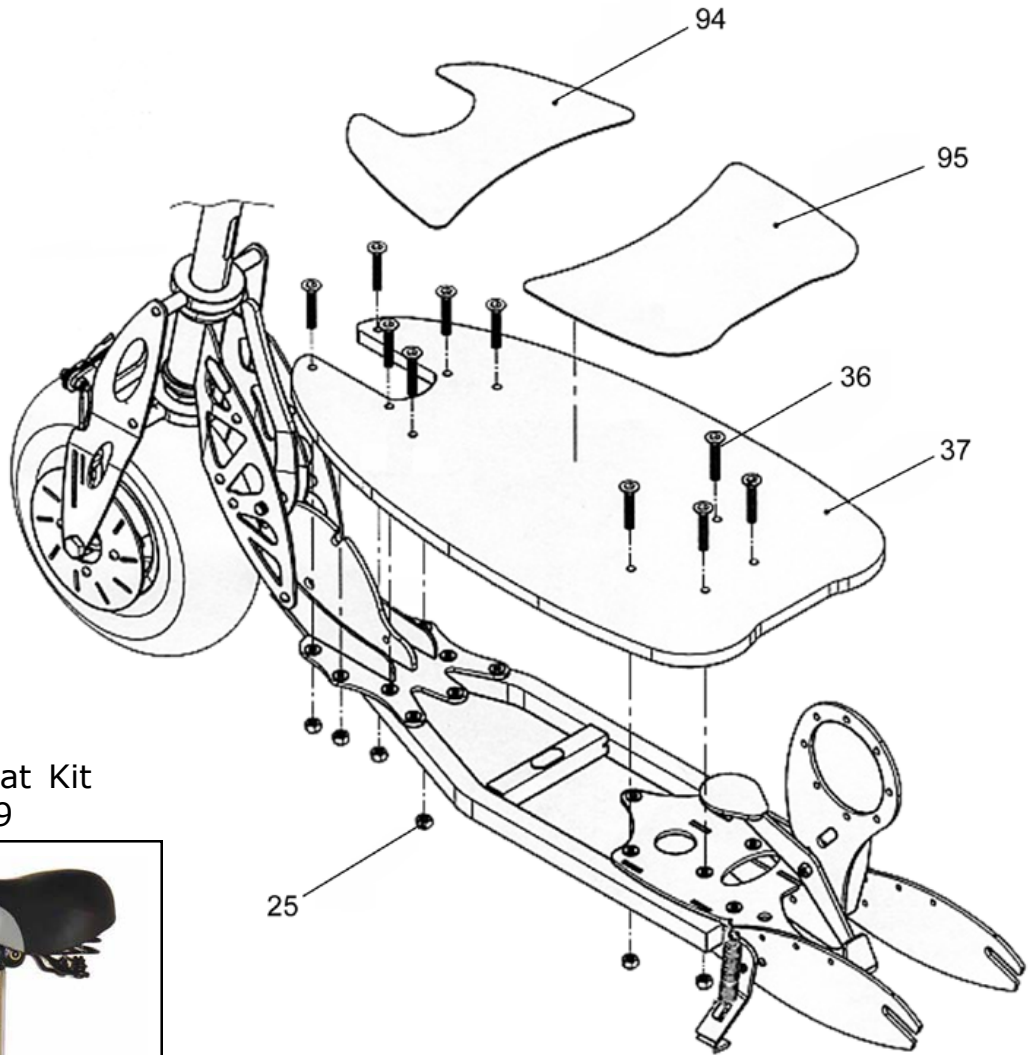
ITEM	PART NUMBER	DESCRIPTION	QTY	COMMENTS
4-14	30821	NUT,M8xP1.25	4	
4-61	30830	WASHER,SPRING M6	4	
4-68	30827	SPACER,T-789	1	
4-69	30823	TIRE,10"	1	
4-70	30825	HUB,(WELD)	1	
4-77	30826	BOLT,M8xP1.25x15	4	
4-78	30828	SPACER,BRAKE,T-790	4	
4-79	30829	DISC,BRAKE	1	
4-80	30831	BOLT,M6xP1.0x32	4	
4-90	30883	BEARING	2	
4-91	30822	HUB,(5 HOLES)	1	
4-102	30911	TUBE,TIRE	1	



ITEM	PART NUMBER	DESCRIPTION	QTY	COMMENTS
5-6	31079	NUT,HEAD	1	
5-7	30861	LEFT FRONT FORK (CHROME)	1	
5-9	30874	SPACER,FRONT FORK	4	
5-11	30876	BOLT	2	
5-14	30821	NUT,M8xP1.25	2	
5-28	30873	RIGHT FRONT FORK (CHROME)	1	
5-99	30878	BUSHING	1	
5-100	31230	HEAD BEARING KIT	1	(Head Not Included)



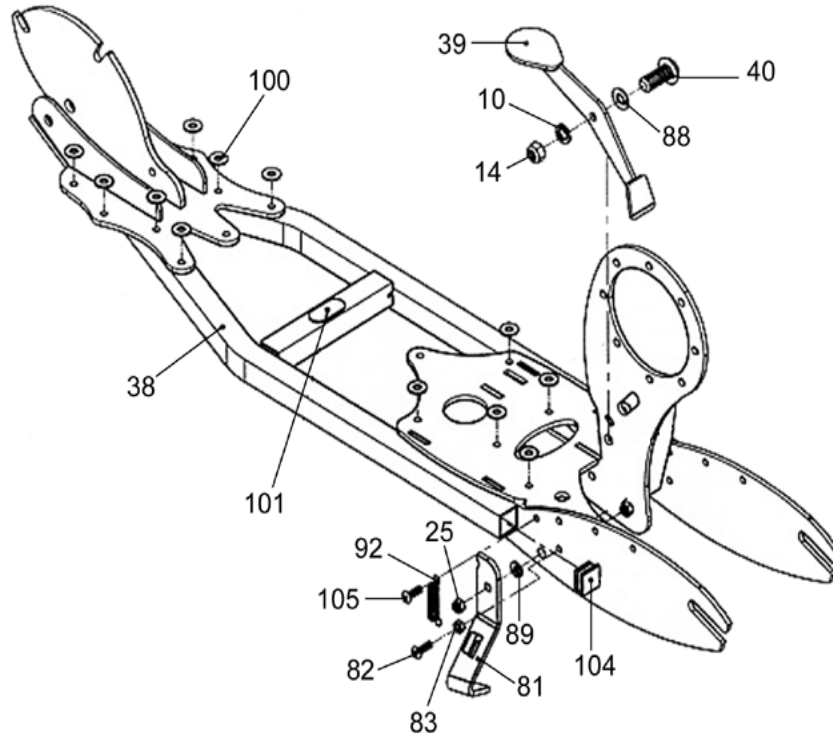
ITEM	PART NUMBER	DESCRIPTION	QTY	COMMENTS
6-15	31080	SPRING,S-043	1	
6-29	30880	NUT,M10xP1.5	1	
6-46	31081	BOLT,M10xP1.5x145	1	
6-71	30914	SPACER,FRONT WHEEL	2	
6-97	31082	CAP,CABLE END	1	



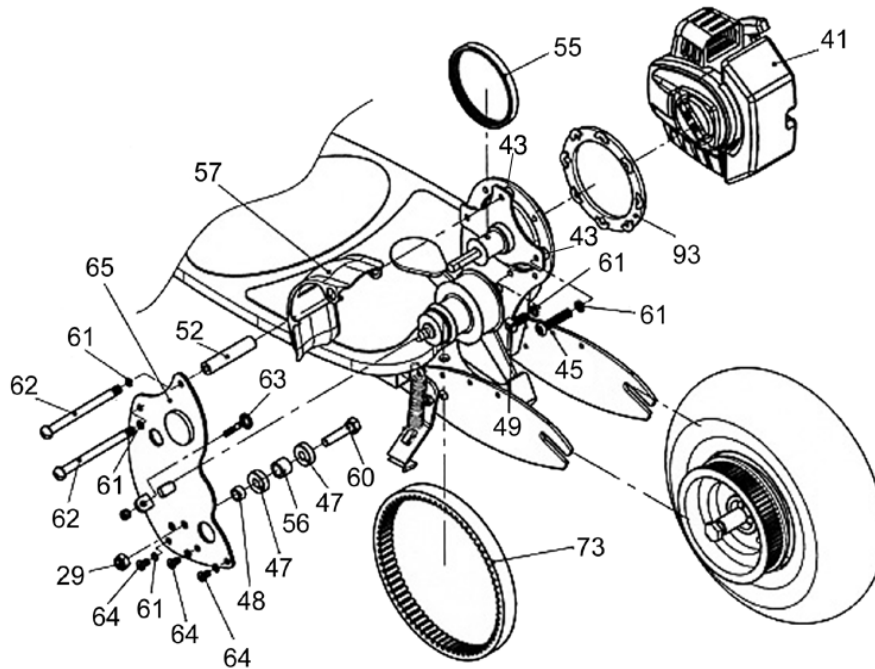
Optional Seat Kit
#31699



ITEM	PART NUMBER	DESCRIPTION	QTY	COMMENTS
7-25	30936	NUT,BOARD	5	
7-36	30912	SCREW,BOARD	10	
7-37	31083	DECK,MOBY	1	
7-94	31012	TAPE,GRIP,FRONT,MOBY	1	
7-95	31084	TAPE,GRIP,BACK,MOBY	1	



ITEM	PART NUMBER	DESCRIPTION	QTY	COMMENTS
8-10	30819	WASHER,SPRING	1	
8-14	30821	NUT,M8xP1.25	1	
8-25	30814	NUT,M6xP1.0	1	
8-38	30807	FRAME,MOBY,(RED)	1	
8-38	30957	FRAME,MOBY,(BLUE)	1	
8-38	30808	FRAME,MOBY,(BLACK)	1	
8-39	30817	PEDAL,REAR BRAKE	1	
8-40	30816	BOLT,K-236	1	
8-81	30812	STAND,KICK	1	
8-82	30810	BOLT,M5xP0.8x15	1	
8-83	30814	NUT,M6xP1.0	1	
8-84	30809	NUT,M5xP0.8	1	
8-88	30818	WASHER	1	
8-89	30813	WASHER	1	
8-92	30811	SPRING,KICK STAND	1	
8-100	30815	WASHER,RUBBER	14	
8-101	31086	PAD,RUBBER	1	
8-104	31087	CAP,FLAT	1	
8-105	30810	BOLT,M5xP0.8x15	1	



Belt Adjustment / Replacement Procedures

ITEM	PART NUMBER	DESCRIPTION	QTY	COMMENTS
9-29	30880	NUT,M10xP1.5	1	
9-41	TC-355	Complete Replacement Engine,35cc	1	
9-41	PF-4000	Complete Replacement Engine,40cc	1	
9-41	TC-4700	Complete Replacement Engine,47cc	1	
9-43	30917	SPACER	3	
9-45	31150	BOLT,M6xP1.0x35,RD HD	1	
9-47	30834	BEARING,6000-2RS	2	
9-48	31091	SPACER,T-804	1	
9-49	31383	BOLT,M6xP1.0x25,RD HD	1	
9-52	31092	SPACER,T-693	2	
9-55	30923	BELT,CLUTCH,(SMALL)	1	
9-56	31093	SPACER,T-797	1	
9-57	30915	FENDER	1	
9-60	31094	BOLT,M10xP1.5x45	1	
9-61	30830	WASHER,SPRING M6	7	
9-62	31095	BOLT,K-222	2	
9-63	31096	SCREW,M6xP1.0x40	2	
9-64	31097	BOLT,M6xP1.0x10	3	
9-65	29606	PLATE,SUPPORT,BLUE	1	
9-65	31098	PLATE,SUPPORT,BLACK	1	
9-65	31099	PLATE,SUPPORT,RED	1	
9-73	30921	BELT,DRIVE,(LARGE)	1	
9-93	30959	MOUNTING RING	1	

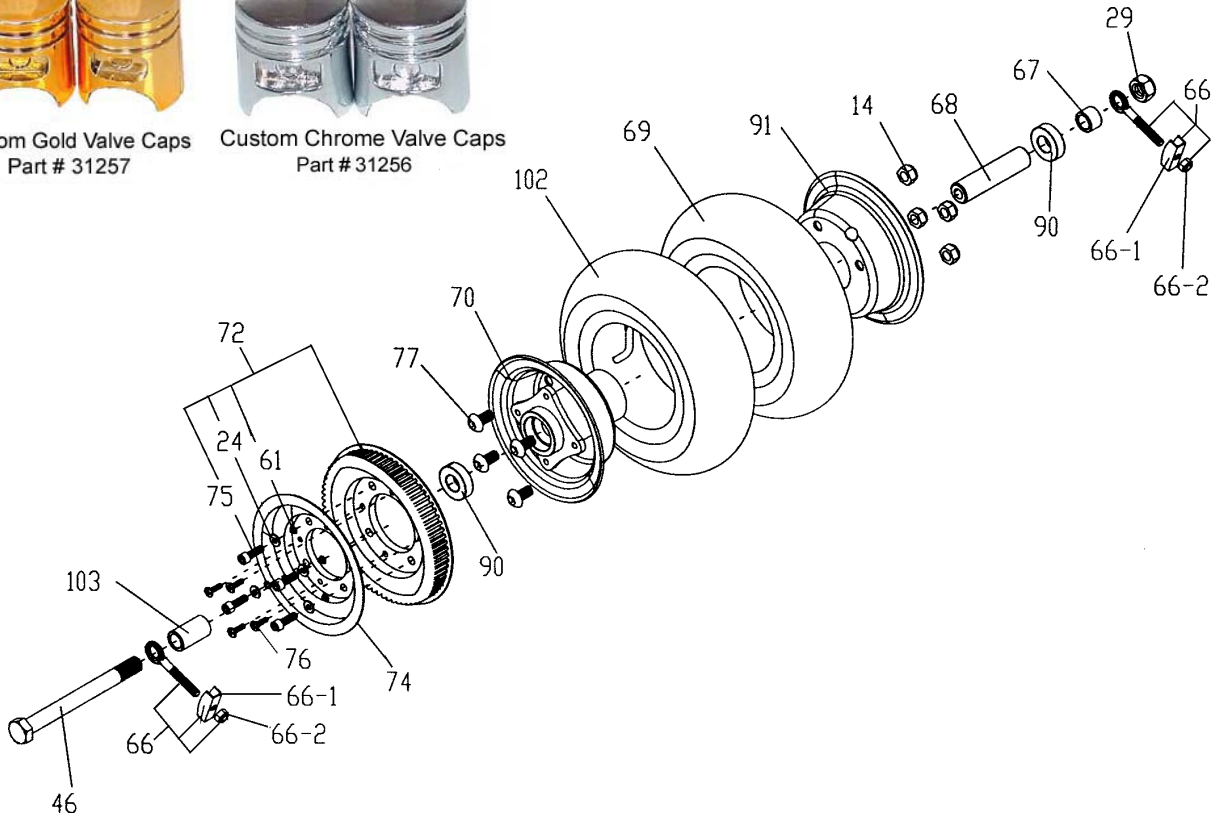
REAR WHEEL & REAR DRIVE PULLEY • FIGURE 10



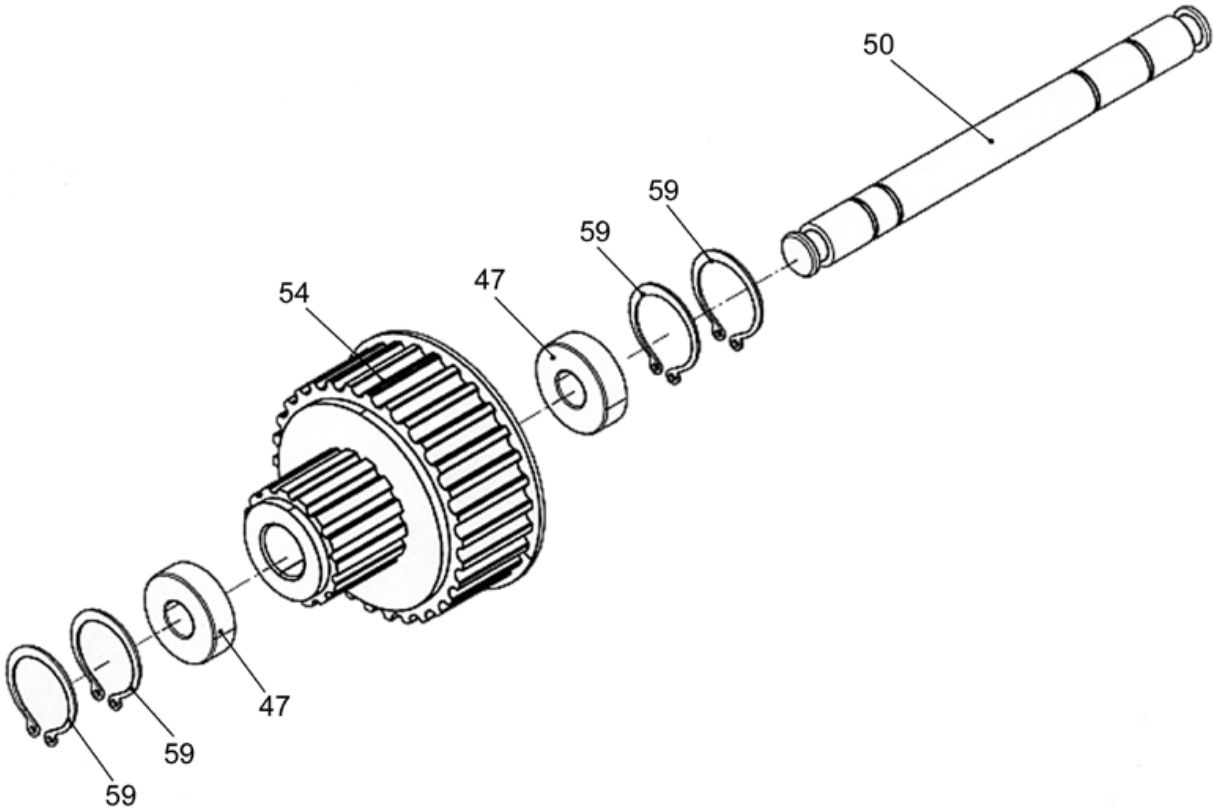
Custom Gold Valve Caps
Part # 31257



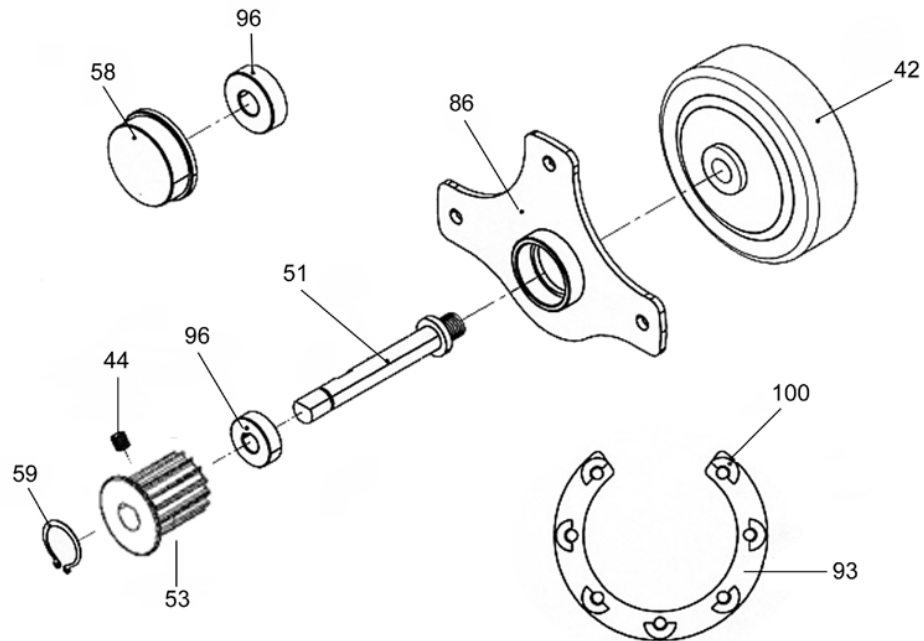
Custom Chrome Valve Caps
Part # 31256



ITEM	PART NUMBER	DESCRIPTION	QTY	COMMENTS
10-14	30821	NUT,M8xP1.25	4	
10-24	31100	WASHER	4	
10-29	30880	NUT,M10xP1.5	1	
10-46	30891	BOLT,AXLE 10x145	1	
10-61	30830	WASHER,SPRING M6	4	
10-66	30881	SCREW,REAR AXLE TENSION	2	
10-67	30886	SPACER,REAR WHEEL,(L)	1	
10-68	30884	SPACER	1	
10-69	30823	TIRE,10"	1	
10-70	30825	HUB,(WELD)	1	
10-72	30887	PULLEY,REAR DRIVE	1	
10-74	30888	GUARD,BELT	1	
10-75	**30889	BOLT,6x20	4	**Some early models were produced with a flush mount countersunk screw to secure the wheel halves. Later models used an allen head bolt, which will work for either application.
10-76	30890	SCREW	4	
10-77	30826	BOLT,M8xP1.25x15	4	
10-90	30883	BEARING,6200-2RS	2	
10-91	30822	HUB,(5 HOLES)	1	
10-102	30911	TUBE,TIRE	1	
10-103	30882	SPACER,REAR WHEEL (R)	1	



ITEM	PART NUMBER	DESCRIPTION	QTY	COMMENTS
11-47	30834	BEARING,6000-2RS	2	
11-50	30832	SHAFT,T-796	1	
11-54	30835	SPROCKET	1	
11-59	30833	RING,C	4	



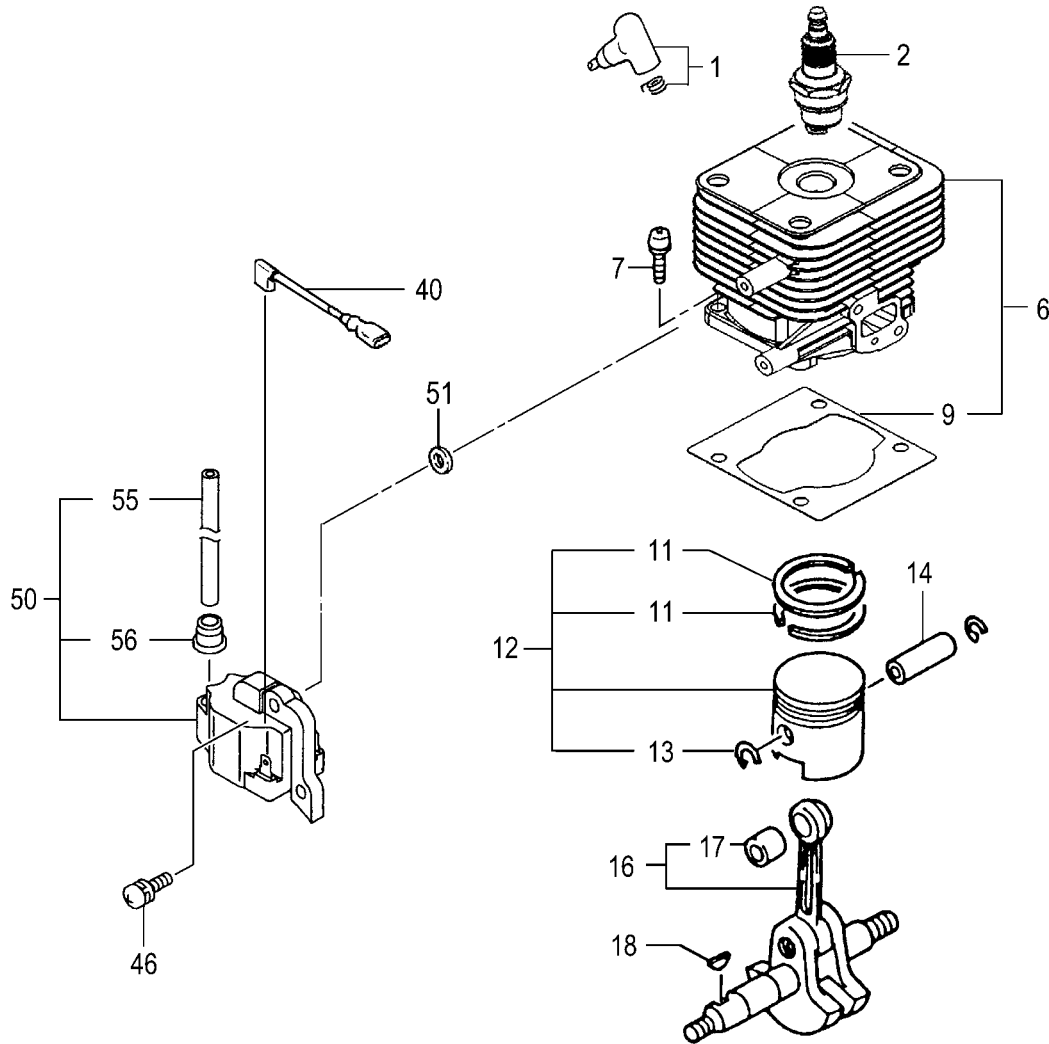
Power & Speed Sprockets



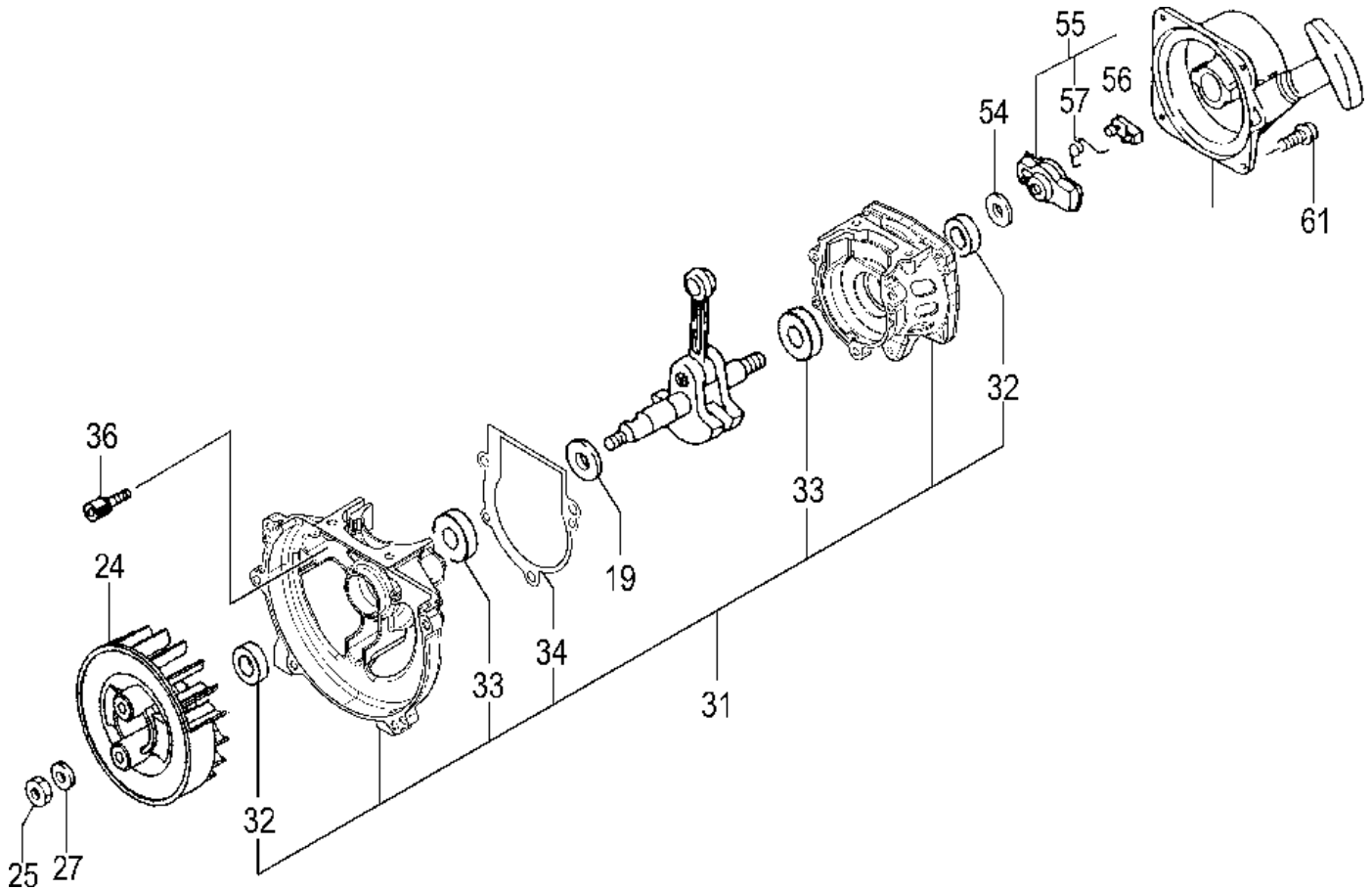
32099 POWER SPROCKET,13TH
 32100 POWER SPROCKET,14TH
 32101 SPEED SPROCKET,16TH
 32102 SPEED SPROCKET,17TH
 32103 SPEED SPROCKET,18TH

ITEM	PART NUMBER	DESCRIPTION	QTY	COMMENTS
12-42	30836	DRUM,CLUTCH	1	
12-44	30839	BOLT,M5xP0.8x5	1	
12-51	30838	SHAFT,CLUTCH	1	
12-53	30840	SPROCKET,(SMALL)	1	
12-58	30842	HOLDER,BEARING	1	
12-59	30841	RING,C	1	
12-86	30837	PLATE,MOUNTING	1	
12-93	30959	MOUNTING RING	1	
12-96	30834	BEARING,6000-2RS	2	
12-100	30844	WASHER,RUBBER	4	

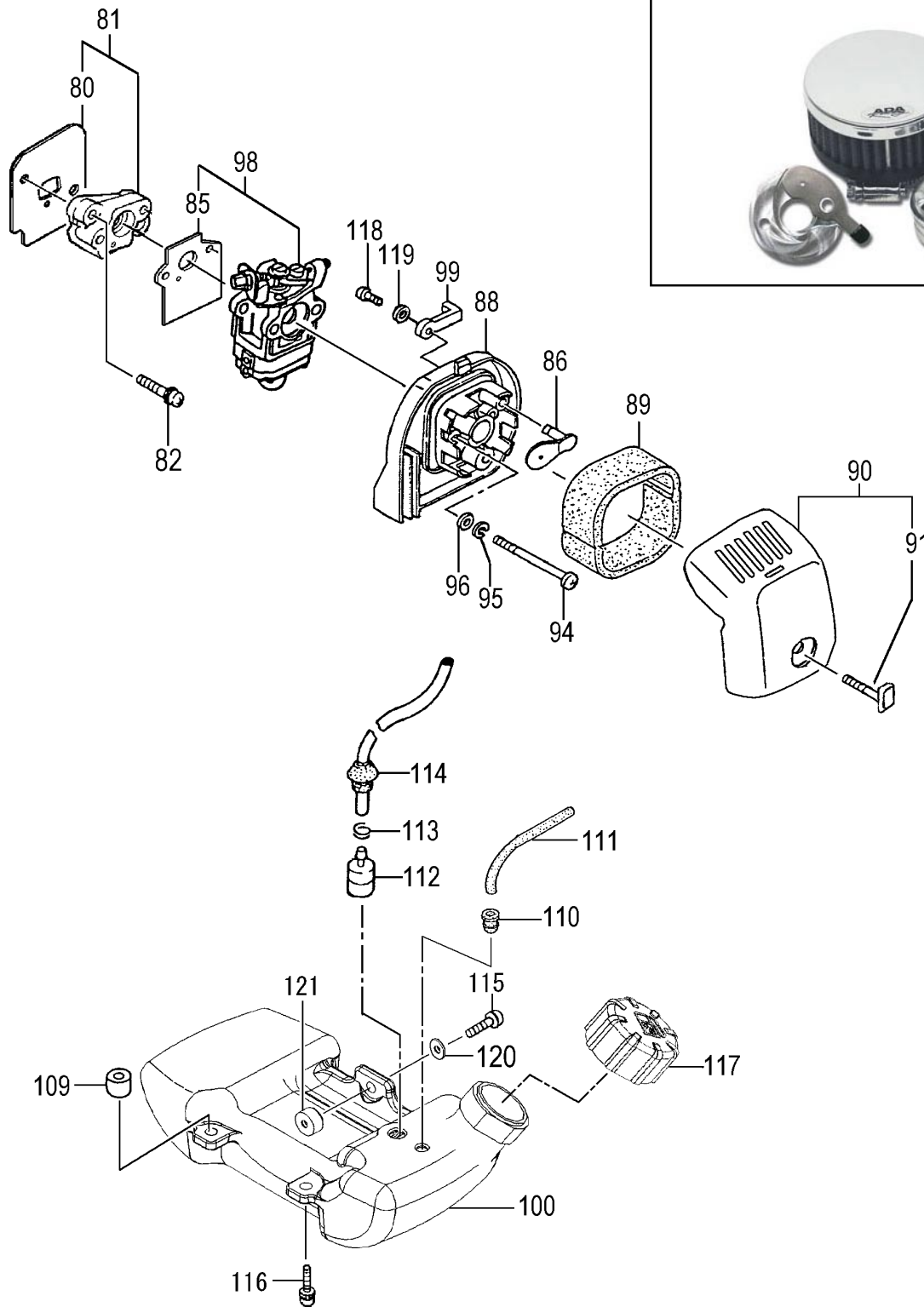
CYLINDER, PISTON, CRANKSHAFT, IGNITION • FIGURE 1



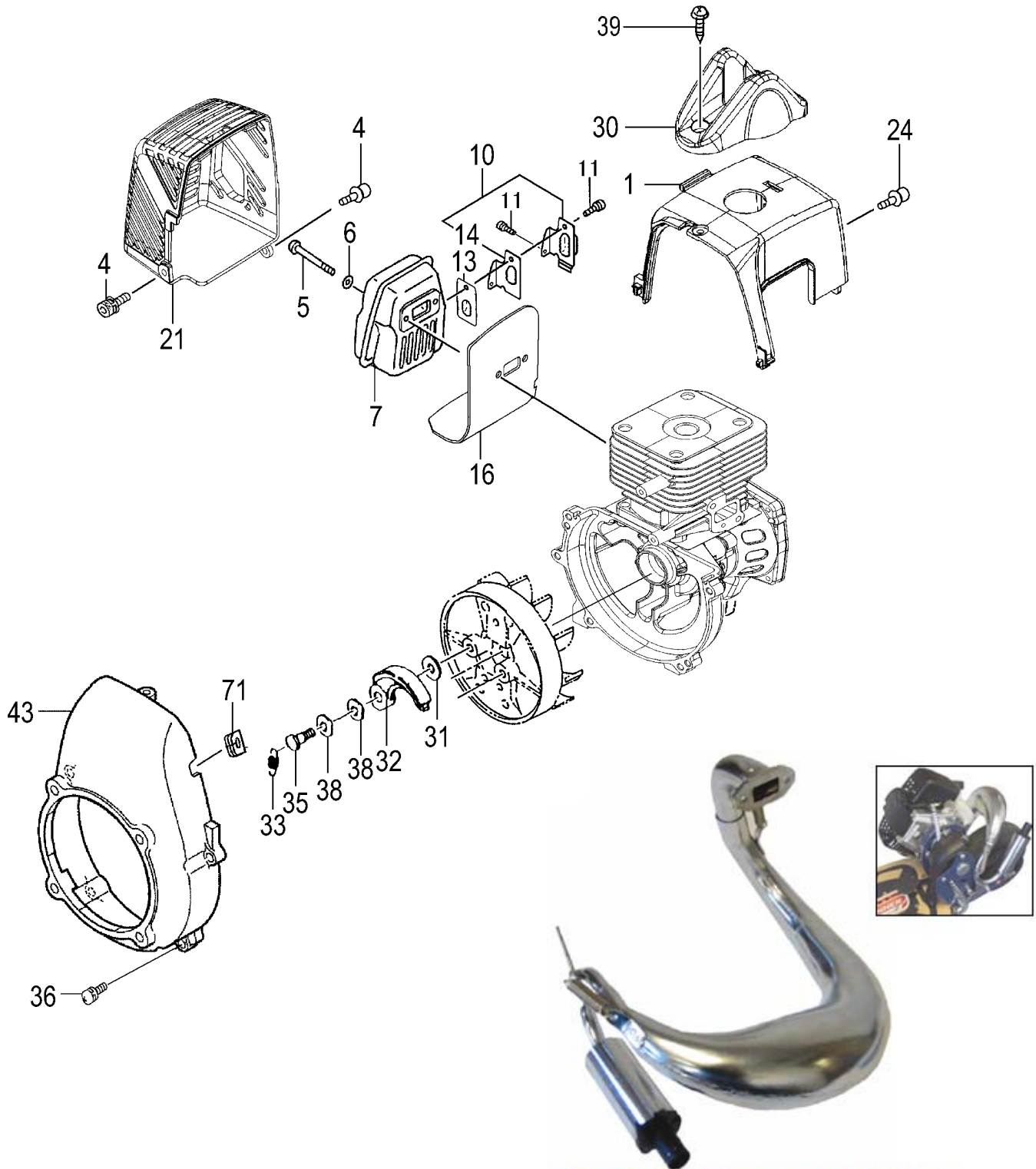
ITEM	PART NUMBER	DESCRIPTION	QTY	COMMENTS
1-1	15701570900	CAP, SPARK PLUG, ASSEMBLY	1	
1-2	0181161021	PLUG, SPARK	1	
1-6	0010725090	CYLINDER SET	1	
1-7	99461050164	BOLT, HEX, 5X16, S	4	
1-9	0170725020	GASKET, CYLINDER	1	
1-11	04101730200	RING, PISTON	2	
1-12	0300703091	PISTON SET	1	
1-13	03900000201	CIRCLIP, PISTON PIN	2	
1-14	03701400200	PIN, PISTON	1	
1-16	0460702080	CRANKSHAFT	1	
1-17	99962091325	BEARING, NEEDLE, F-910	1	
1-18	06810100200	KEY, WOODRUFF, 3X13X4.5	1	
1-40	1780725080	CORD, STOP	1	
1-46	99463040154	BOLT, HEX, 4X15, PS	2	
1-50	1672055390	COIL, IGNITION	1	
1-55	1782055320	WIRE, HIGH TENSION, 180L	1	
1-56	56020517200	CAP, RUBBER	1	



ITEM	PART NUMBER	DESCRIPTION	QTY	COMMENTS
2-19	33000200210	SHIM,12.2X19X.10	1	
2-19	33000200220	SHIM,12.2X19X.15	1	
2-19	33000200230	SHIM,12.2X19X.20	1	
2-19	33000200240	SHIM,12.2X19X.30	1	
2-24	1552054980	ROTOR,MAGNETO	1	
2-25	99101080011	NUT,8	1	
2-27	99200080011	WASHER,8	1	
2-31	0720725090	CRANKCASE ASSY	1	Includes bearings, seals and gasket
2-32	99966122240	SEAL,OIL,#12227	2	
2-33	99961600100	BEARING,BALL,#6001	2	
2-34	0900725020	GASKET,CRANKCASE	1	
2-36	99461050164	BOLT,HEX,5X16,S	3	
2-54	99201080011	WASHER,8	1	
2-55	7980166R90	PULLEY,STARTER,ASS'Y	1	
2-56	7880138A20	PAWL,STARTER	1	
2-57	7900162V200	SPRING,PAWL,STARTER	1	
2-61	99464040185	BOLT,HEX,4x18WS	2	



ITEM	PART NUMBER	DESCRIPTION	QTY	COMMENTS
3-80	4030702021	GASKET, INLET MANIFOLD	1	
3-81	4040702091	INSULATOR SET	1	
3-82	99464050254	BOLT, HEX HOLE, 5X25WS	2	
3-85	4020656A200	GASKET	1	
3-86	5280652N22	PLATE, CHOKE, 2.0	1	
3-88	4230652N80	BODY, AIR CLEANER	1	
3-89	4460652N20	CLEANER, ELEMENT	1	
3-90	4520304690	COVER, AIR CLEANER ASSY	1	
3-91	4500702480	BOLT, CLEANER COVER	1	
3-94	99051050553	BOLT, HEX, 5X55	2	
3-95	99210050012	WASHER, S, 5	2	
3-96	99200050011	WASHER, SMALL, 5	2	
3-98	4550304590	CARBURETOR SET	1	
3-99	5230652N20	LEVER, CHOKE	1	
3-100	5910725020	TANK	1	
3-109	65900801200	COLLAR	3	
3-110	53432710200	GROMMET, FUEL PIPE	1	
3-111	7000300507	PIPE, FUEL, 3X5X75	1	
3-112	6750404280	FILTER, FUEL	1	
3-113	68000731201	CLIP 6.3	1	
3-114	2230162V900	PIPE, FUEL, ASS'Y	1	
3-115	99461050254	BOLT, HEX HOLE, 5X25S	1	
3-116	99463050164	BOLT, HEX, 5X16, PS	2	
3-117	5950300290	CAP, TANK (BLACK/RED)	1	
3-118	99075040154	SCREW, TAPPING, 4X15	1	
3-119	99201040011	WASHER, 4	1	
3-120	99201050061	WASHER, 5	1	
3-121	6490725020	COLLAR, TANK	1	

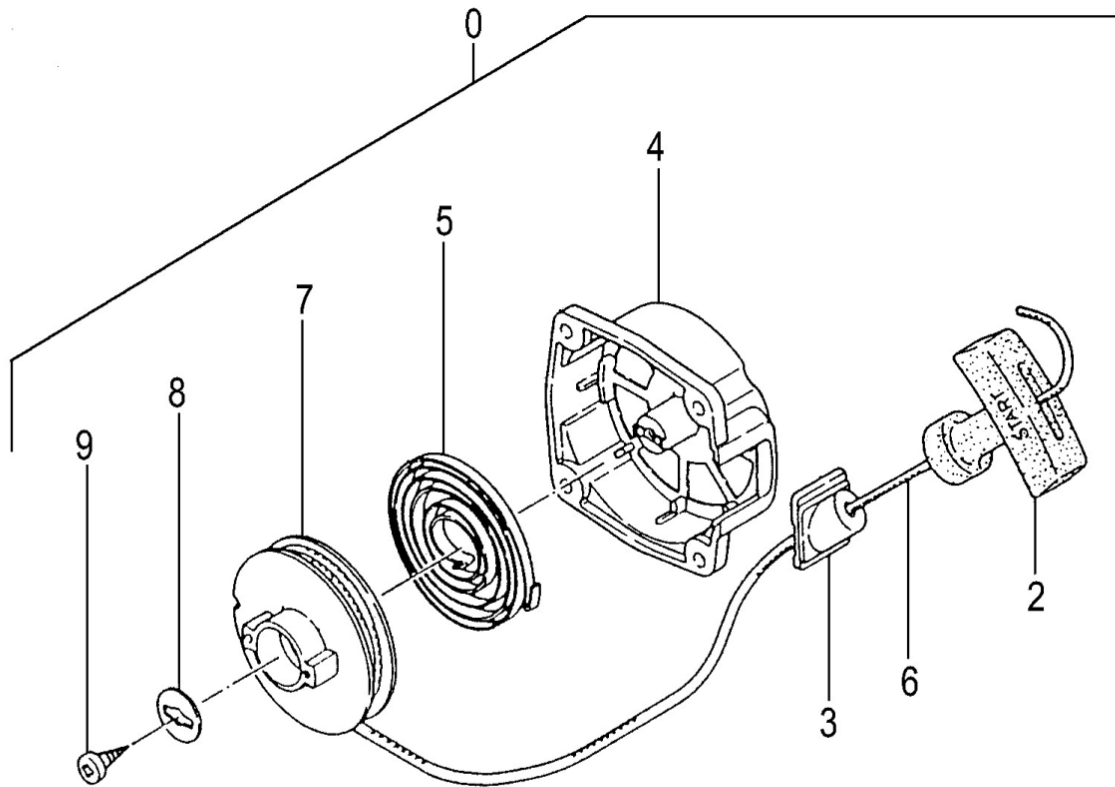


33cc Tanaka Power Pipe

Part #: 32117

CLUTCH, MUFFLER, ENGINE COVER • FIGURE 4

ITEM	PART NUMBER	DESCRIPTION	QTY	COMMENTS
4-1	0160725020	COVER,CYLINDER	1	
4-4	99463050164	BOLT,HEX,5X16,PS	2	
4-5	99053060653	SCREW,HEX,6X65	2	
4-6	99201060011	WASHER,6	2	
4-7	7060725080	MUFFLER	1	
4-10	7340725090	TAIL PIPE	1	
4-11	99436040081	SCREW,4X18WS	2	
4-13	7320725020	ARRESTER,SPARK	1	
4-14	7510725020	GASKET,MUFFLER	1	
4-16	1330725020	SHIELD,HEAT	1	
4-21	7380725020	PROTECTOR,MUFFLER	1	
4-24	99464040185	BOLT,HEX,4x18WS	2	
4-30	2570725020	COVER,PLUG	1	
4-31	35910112203	WASHER,CLUTCH B	2	
4-32	2900138A80	SHOE,CLUTCH	2	
4-33	3420138A20	SPRING,CLUTCH	1	
4-35	3570136U200	BOLT,STEP,CLUTCH	2	
4-36	99464050184	BOLT,HEX,5X18,WS	4	
4-38	99204100030	WASHER,WAVE,10	4	
4-39	99463040154	BOLT,HEX,4X15,PS	1	
4-43	1120703320	CASE,FAN,POLISHED	1	
4-71	20311660200	GROMMET,PRIMARY CORD	1	

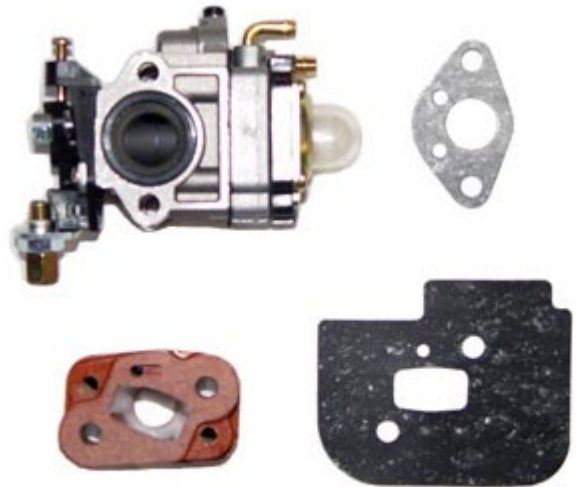
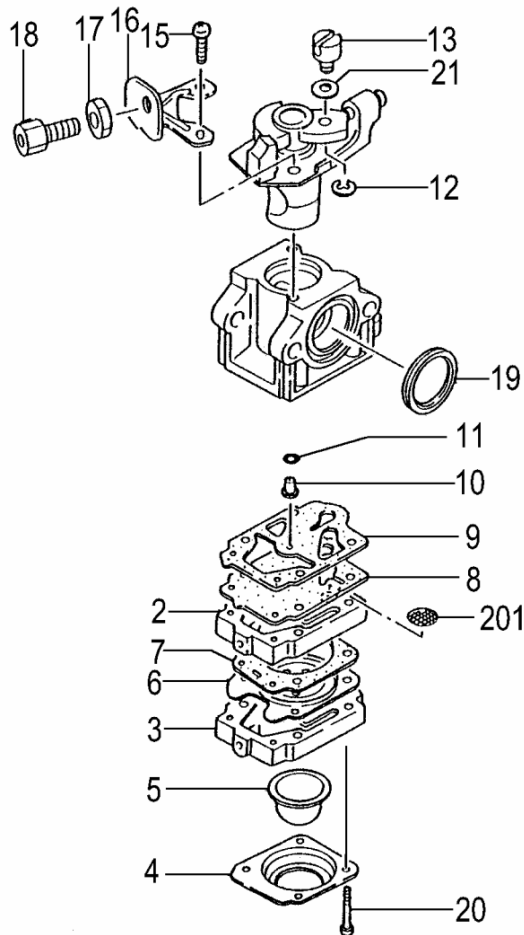


Billet Starter Handles

Part#: Blue - 31352 / Black - 31358

Polished - 31357 / Red - 31356

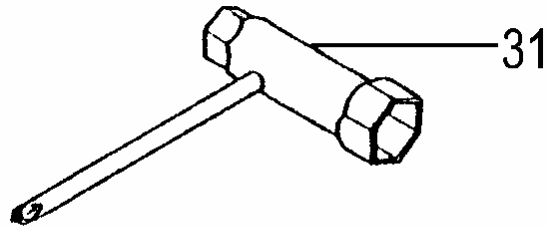
ITEM	PART NUMBER	DESCRIPTION	QTY	COMMENTS
5-0	7620162V900	STARTER,RECOIL ASS'Y	1	
5-2	78501620200	HANDLE,STARTER	1	
5-3	78006150200	GUIDE,ROPE	1	
5-4	77206150200	BODY,RECOIL STARTER	1	
5-5	7790136U200	SPRING,RECOIL	1	
5-6	7830162V200	ROPE,STARTER,3.5X890	1	
5-7	7740162V200	REEL,STARTER ROPE	1	
5-8	8010162V200	WASHER,ROPE REEL	1	
5-9	83900025200	SCREW,SET	1	



33cc HP Carburetor Kit

Part #: 32098

ITEM	PART NUMBER	DESCRIPTION	QTY	COMMENTS
6-2	5752515380	BODY,PUMP	1	
6-3	4422515180	PUMP,PRIMING	1	
6-4	4762515120	COVER,DIAPHRAGM	1	
6-5	44725108200	BULB,PRIMING	1	
6-7	~ ~ ~	GASKET,DIAPHRAGM	1	~ Contained in Carb Repair Kit
6-8	~ ~ ~	DIAPHRAGM,PUMP	1	P/N 650-25124-900
6-9	~ ~ ~	GASKET,PUMP	1	(not available individually)
6-10	5992001W38	JET,MAIN LONG #38	1	
6-11	55025100200	O-RING	1	
6-12	48925100200	RING,STOP	1	
6-13	53925120200	SWIVEL	1	
6-15	51425100200	SCREW,THROTTLE SET	2	
6-16	54425164200	STAY,ADJUST,CABLE	1	
6-17	99101060013	NUT,6	1	
6-18	61425137200	ADJUSTER,CABLE	1	
6-19	4310634C200	GASKET,CLEANER	1	
6-20	5482515120	SCREW,SET	4	
6-21	5492516520	WASHER,THRUST	1	
6-201	57825007200	SCREEN,INLET	1	



ITEM	PART NUMBER	DESCRIPTION	QTY	COMMENTS
7-1	9060725020	DECAL,PF-3300	1	
7-31	8262000080	SPANNER,COMBI,17X19	1	

Belt Adjustment



Figure 15

The Moby PowerBoard uses a dual stage, belt driven system to transmit power to the rear wheel. Belts should be regularly inspected for adjustment. Both belts are adjusted with two procedures.

Tighten both belt adjusters on either side of the frame (**Fig. 15**) in equal increments until the small belt has approximately ½ inch of play when measured between the pulleys.

Next, loosen the rear axle lock nut, using a 17mm wrench or socket. Adjust the tension in the larger belt by using the rear wheel adjusters located at the rear of the frame, behind the wheel (**Fig. 16**). The belt should have approximately ½ inch of play. Make sure that the wheel is lined up in the center of the frame.

After adjustment, test ride the unit for a short distance to ensure that the belts ride in the center of their pulleys. If they tend to ride on one side of the pulley(s), adjust the opposite side adjuster until the belt centers on the pulley, being careful to maintain the correct belt tension.



Figure 16

Belt Replacement



Figure 17

Both drive belts carry a similar load, and should wear at a very similar rate. If one of the belts should break or one or both appear worn to the point of needing replacement, it may be preferable to replace both belts simultaneously, as the repair is somewhat involved.



Figure 18

To replace the belts begin by removing the air cleaner cover, and disconnect the throttle wire and stop cord wire from engine.

Next, remove the 2 top engine mount bolts with their spacers, as well as the fender (**Fig. 17**).

Loosen and remove the belt tension adjuster from the left side of the frame, as well as the three screws that secure the left hand side plate to the frame (**Fig. 18**)



Figure 19

With the side plate removed, it is possible to remove both belts from the frontward pulleys. Inspect the pulleys (**Fig. 19**) to ensure that they are not damaged. Also, inspect the bearings on the pulley shaft as well as the support bearing that rides in the side plate. If integrity of any bearings are questionable – install new ones.

If it is necessary to replace the large, rear belt, it will require that the rear wheel be completely removed.

Carefully position new belt(s). Note that the lower section of the large, rear belt must ride on top of the idler arm (with two ball bearings in tandem), protruding from the side plate.

Carefully adjust the tension of the belts as indicated in the previous section.