

Rotary Hammer - 0 603 304 734 - PBH 160 R

www.powertools-aftersaleservice.com

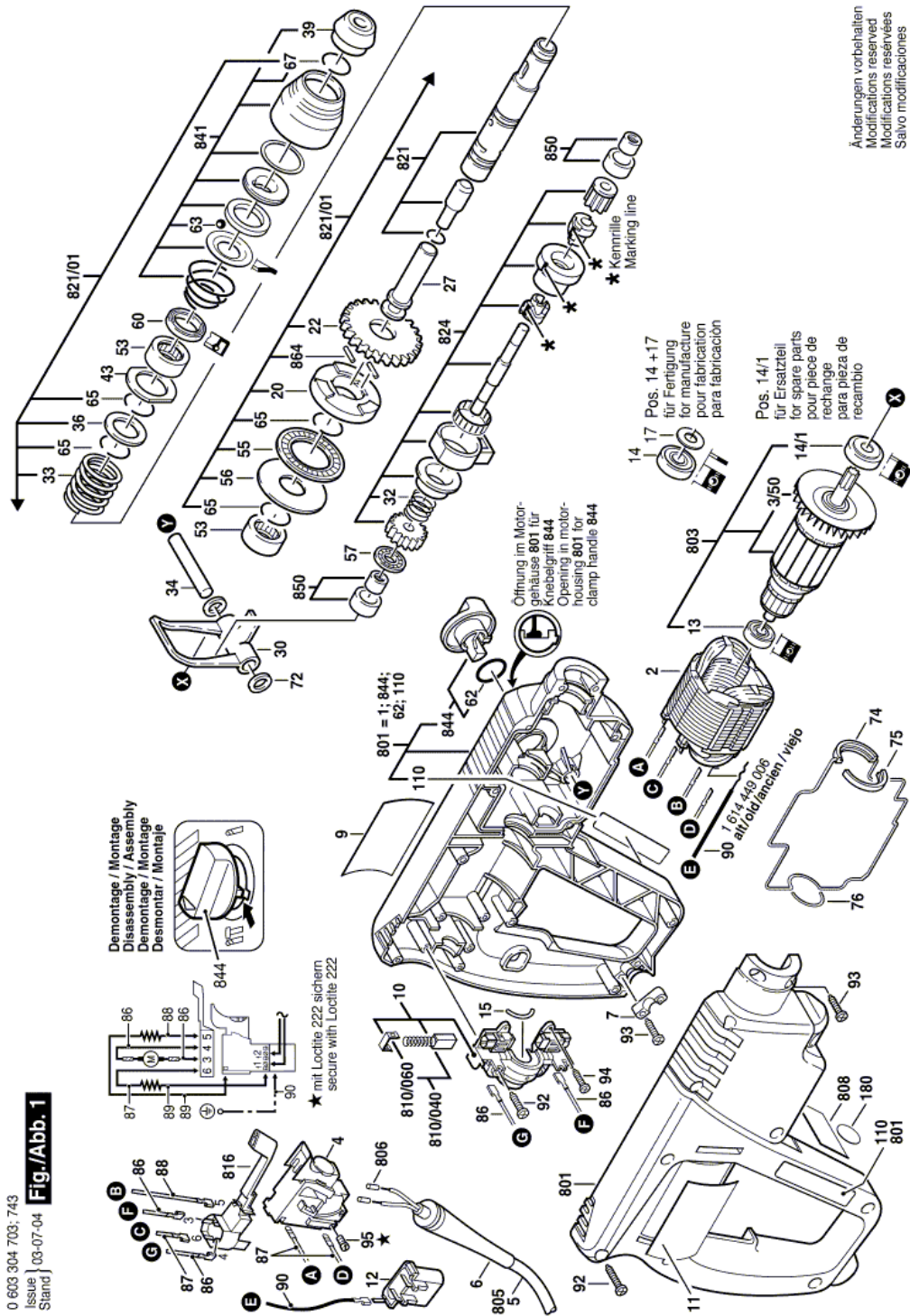


BOSCH

Item	Part Number	Description	Illustration	Price	Quantity	Price Group
	2 2 604 220 446	Field 100V		1	-,-	1 29
3/50	2 606 610 022	Fan		1	-,-	1 12
	4 2 607 200 203	Switch		1	-,-	1 38
	5 2 604 460 249	Power supply cord SAM 2,7m 2 x 0,82mm SJ 18/2		1	-,-	1 27
	6 2 600 703 018	Grommet Ø7,3-Ø8,6x76 MM		1	-,-	1 13
	7 2 601 035 001	Cable Clip		1	-,-	1 11
	9 1 601 118 139	Manufacturer's nameplate		1	-,-	1 14
	10 2 604 337 122	Brush Plate		1	-,-	1 31
	11 1 601 118 140	Reference Plate		1	-,-	1 14
	13 1 610 905 025	Deep-Groove Ball Bearing 7x19x6		1	-,-	1 19
14/1	1 610 905 048	Deep-Groove Ball Bearing 9x24x7		1	-,-	1 21
	15 1 610 026 001	Damping rubber		1	-,-	1 11
	20 1 616 409 012	Catch Disk		1	-,-	1 19
	22 1 616 317 608	Cylindrical Gear Z=51		1	-,-	1 19
	27 1 618 710 068	Striker		1	-,-	1 21
	30 1 611 911 000	Drive Lever		1	-,-	1 23
	32 1 614 632 001	Compression Spring		1	-,-	1 13
	33 1 614 634 008	Compression Spring		1	-,-	1 12
	34 1 613 100 021	Bearing Pin		1	-,-	1 12
	36 1 610 190 021	Supporting Disc		1	-,-	1 12
	39 1 610 508 021	Protective Cap SDS-PLUS		1	-,-	1 12
	43 1 610 190 020	Supporting Disc		1	-,-	1 12
	44 1 612 026 075	Clamp Handle BLACK		2	-,-	1 15
	53 1 610 910 077	Needle bearing		1	-,-	1 16
	55 1 610 920 012	Roller Thrust Bearing		1	-,-	1 15
	56 1 610 102 030	Support Disc 1,0 MM THICK		1	-,-	1 13
	57 1 610 920 009	Roller Thrust Bearing BLACK		1	-,-	1 15
	60 1 610 280 006	Seal ring		1	-,-	1 15
	62 1 610 210 125	O-Ring 18,0x2,5 MM		1	-,-	1 12
	63 1 903 230 013	Ball DIN 5401-Ø7MM-III-ST		1	-,-	1 10
	65 1 614 601 018	Retaining ring		1	-,-	4 11
	67 1 614 601 077	Spring retaining ring		1	-,-	1 11
	72 1 610 100 007	Shim washer 1,0 MM THICK		1	-,-	2 11

Item	Part Number	Description	Illustration	Price	Quantity	Price Group
74	1 611 015 040	Sealing Frame	1	-,-	1	17
75	1 611 015 041	Sealing Frame	1	-,-	1	12
76	1 611 015 042	Sealing Frame	1	-,-	1	11
78/20	2 915 011 007	Hex Nut DIN 934-M6-8-A	2	-,-	1	10
78/30	1 613 480 007	Wing Screw M6x(15)55	2	-,-	1	11
78/50	2 608 040 014	Clamping Plate M6	2	-,-	1	14
78/60	1 613 480 008	Wing Screw M6x20 MM	2	-,-	1	11
86	2 604 448 147	Connecting Cable L=85 MM WHITE	1	-,-	2	11
87	2 604 448 096	Connecting Cable L=115MM BLUE	1	-,-	1	11
88	2 604 448 034	Connecting Cable L=88 MM WHITE	1	-,-	1	11
89	2 604 448 060	Cable L=173 MM WHITE	1	-,-	2	13
92	2 912 401 021	Tapping Screw DIN7981-ST3,9x22-C-Z	1	-,-	12	10
93	2 912 401 019	Tapping Screw DIN7981-ST3,9x16-C-Z	1	-,-	4	11
94	2 603 490 017	Torx Oval-Head Screw 3x10	1	-,-	2	10
95	2 603 410 001	Socket head cap screw M3x6,5-4.8	1	-,-	2	11
110	1 601 118 B75	Reference Plate	1	-,-	2	15
700	1 617 000 154	Drill Chuck Shank 1/2"SDS-PLUS	2	-,-	1	31
700/20	2 603 421 226	Countersunk-Head Screw M6x27 LEFTHAND THREADS	2	-,-	1	11
701	1 608 571 088	Chuck	2	-,-	1	32
701/7	2 607 950 007	Chuck Wrench SG2	2	-,-	1	18
702	1 617 000 133	Parts Set	2	-,-	1	-
702/10/2	2 604 601 004	Retaining ring	2	-,-	1	11
702/20	1 608 521 004	Screwdriver Blade NR.2,1/4"	2	-,-	1	-
702/30	2 607 000 248	Screwdriver Bit 3 PIECE	2	-,-	1	-
702/40	1 608 511 020	Screwdriver Blade GR.1,0x6, 1/4"	2	-,-	1	-
703	1 615 439 003	Dust Tray	2	-,-	1	-
703/30	1 610 312 001	Rubber Bushing Ø5-7 MM	2	-,-	1	-
703/651	1 610 312 002	Rubber Bushing Ø8-10 MM	2	-,-	1	-
750	2 605 438 290	Carrying Case	2	-,-	1	-
752	1 613 001 006	Depth-Gauge SW 6x210 MM	2	-,-	1	-
754	2 607 000 122	Drill Holder	2	-,-	1	-
754	2 607 018 117	Drill Holder	2	-,-	1	-
778	1 612 025 031	Auxiliary Handle Ø43 MM BLACK	2	-,-	1	24
778	1 612 025 034	Auxiliary Handle Ø 43 MM	2	-,-	1	-
801	1 617 000 362	Housing Section GREEN	1	-,-	1	33
803	1 614 010 146	Armature With Fan 110-120V	1	-,-	1	43
808	1 601 106 035	Nameplate 26x42 MM	1	-,-	1	13
810/040	1 617 014 125	Carbon-Brush Set	1	-,-	1	25
810/060	2 601 322 017	Ratchet Cap	1	-,-	2	11
810/060	2 601 322 013	Ratchet Cap	1	-,-	2	11
816	2 607 200 231	Change-Over Switch	1	-,-	1	25
821	1 617 000 320	Hammer Pipe SDS-PLUS	1	-,-	1	33
821/01	1 617 000 349	Hammer Pipe SDS-PLUS	1	-,-	1	38
824	1 617 000 972	Jack Shaft	1	-,-	1	35
841	1 617 000 303	Protection Sleeve SDS-PLUS	1	-,-	1	25
844	1 617 000 322	Clamp Handle BLACK	1	-,-	1	15
844/1	1 617 000 974	Clamp Handle BLACK	2	-,-	1	-
850	1 617 000 975	Bushing	1	-,-	2	18
864	1 613 100 019	Straight Pin DIN6325-2,5x12-RIKO	1	-,-	2	11

Illustration - Type E

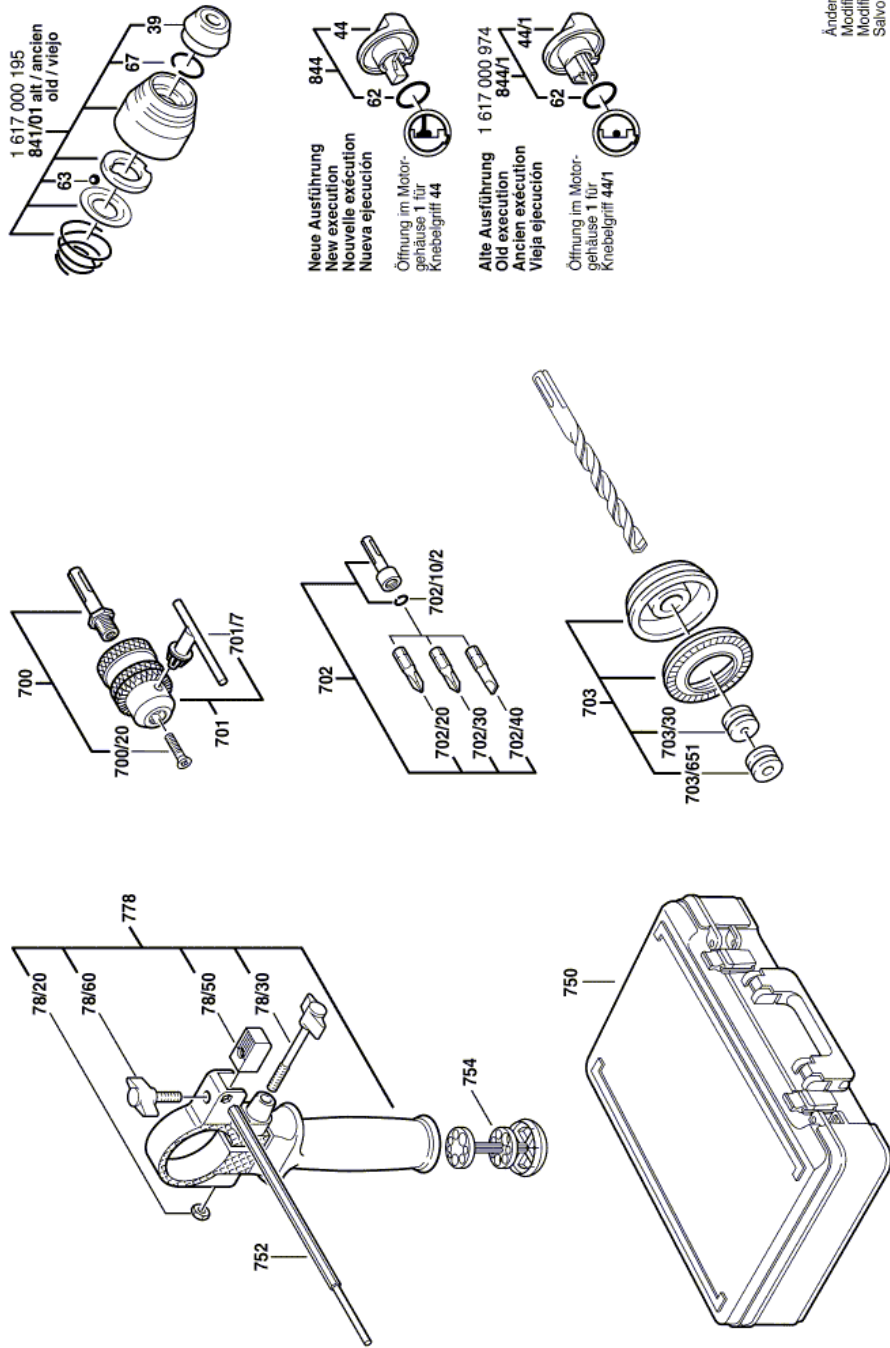


Änderungen vorbehalten
Modifications reserved
Modificaciones reservadas
Salvo modificaciones

Illustration - Type E

0 603 304 703; 743
Issue | 03-07-04
Stand

Fig./Abb. 2



Anderungen vorbehalten
Modifications reserved
Modifications réservées
Salvo modificaciones

Information subject to change without further notice.