

## Random orbital sander - 0 603 298 739 - PEX 15 AE

www.powertools-aftersaleservice.com



**BOSCH**

| Item | Part Number   | Description                                       | Illustration | Price | Quantity | Price Group |
|------|---------------|---|--------------|-------|----------|-------------|
| 1    | 2 605 104 388 | Housing Section GREEN                             | 1            | -,-   | 1        | 30          |
| 2    | 2 604 220 543 | Field 100-115V                                    | 1            | -,-   | 1        | 28          |
| 3    | 2 604 010 880 | Armature 115V                                     | 1            | -,-   | 1        | 36          |
| 3/60 | 2 606 610 055 | Fan   | 1            | -,-   | 1        | 12          |
| 4    | 2 607 200 260 | Switch  | 1            | -,-   | 1        | 23          |
| 5    | 2 604 460 129 | Power supply cord USA/CDN 2,15m 2 x 082mm SJ 18/2 | 1            | -,-   | 1        | 27          |
| 6    | 2 600 703 018 | Grommet Ø7,3-Ø8,6x76 MM                           | 1            | -,-   | 1        | 13          |
| 7    | 2 601 035 004 | Cable Clip  | 1            | -,-   | 1        | 12          |
| 9    | 2 601 118 312 | Manufacturer's nameplate SUNNY SIDE               | 1            | -,-   | 1        | 13          |
| 13   | 2 600 917 002 | Needle bearing                                    | 1            | -,-   | 2        | 15          |
| 14   | 2 600 905 034 | Deep-Groove Ball Bearing                          | 1            | -,-   | 1        | 25          |
| 16   | 2 605 807 055 | Brush Plate                                       | 1            | -,-   | 1        | 23          |
| 18   | 2 603 410 001 | Socket head cap screw M3x6,5-4.8                  | 1            | -,-   | 2        | 11          |
| 19   | 2 603 490 021 | Torx Oval-Head Screw 4x12                         | 1            | -,-   | 2        | 10          |
| 25   | 2 600 100 041 | Plain Washer DIN 315-M8-GT-C                      | 1            | -,-   | 1        | 11          |
| 26   | 2 606 610 066 | Fan   | 1            | -,-   | 1        | 28          |
| 27   | 2 606 490 053 | Carrier   | 1            | -,-   | 1        | 21          |
| 28   | 2 600 000 025 | Shim 1,0 MM                                       | 1            | -,-   | 1        | 11          |
| 28   | 2 600 000 022 | Shim 0,1 MM                                       | 1            | -,-   | 1        | 11          |
| 28   | 2 600 000 023 | Shim 0,2 MM                                       | 1            | -,-   | 1        | 11          |
| 28   | 2 600 000 024 | Shim 0,5 MM                                       | 1            | -,-   | 1        | 11          |
| 29   | 2 600 116 014 | Spring retaining ring                             | 1            | -,-   | 1        | 11          |
| 30   | 2 600 905 111 | Deep-Groove Ball Bearing 15x35x11                 | 1            | -,-   | 1        | 22          |
| 31   | 2 601 329 057 | Contact Spring                                    | 1            | -,-   | 1        | 11          |
| 32   | 1 903 230 007 | Ball DIN 5401-4 MM-III-ST                         | 1            | -,-   | 1        | 10          |
| 35   | 2 910 141 238 | Hex Socket Head Cap Screw DIN 912-M8x16-8.8       | 1            | -,-   | 1        | 11          |
| 36   | 1 603 100 036 | Rubber Buffer                                     | 1            | -,-   | 4        | 11          |
| 40   | 2 601 022 000 | Damping Plate                                     | 1            | -,-   | 1        | 11          |
| 42   | 2 604 448 166 | Connecting Cable                                  | 1            | -,-   | 1        | 11          |
| 43   | 2 603 490 023 | Torx Oval-Head Screw 4x20                         | 1            | -,-   | 2        | 10          |
| 44   | 2 602 380 003 | Seal Strip  | 1            | -,-   | 1        | 11          |
| 45   | 2 602 025 068 | Handle BLACK                                      | 1            | -,-   | 1        | 16          |

| Item    | Part Number   | Description                          | Illustration | Price | Quantity | Price Group |
|---------|---------------|--------------------------------------|--------------|-------|----------|-------------|
| 46      | 2 910 285 226 | Round-Head Bolt DIN 603-M6x110       | 1            | -,-   | 1        | 11          |
| 47      | 1 603 339 006 | Wing Nut M6                          | 1            | -,-   | 1        | 11          |
| 48      | 2 608 005 043 | Pusher                               | 1            | -,-   | 1        | 11          |
| 51      | 2 606 625 014 | Toothed Belt Wheel Z=18              | 1            | -,-   | 1        | 18          |
| 52      | 2 606 625 015 | Toothed Belt Wheel Z=30              | 1            | -,-   | 1        | 18          |
| 53      | 2 604 736 009 | Toothed Belt                         | 1            | -,-   | 1        | 21          |
| 55      | 2 600 923 002 | Deep-Groove Ball Bearing             | 1            | -,-   | 1        | 28          |
| 56      | 2 608 300 007 | Speed governor 100-120V              | 1            | -,-   | 1        | 38          |
| 57      | 2 603 124 116 | Output Shaft                         | 1            | -,-   | 1        | 24          |
| 58      | 2 601 901 006 | Lever                                | 1            | -,-   | 1        | 15          |
| 59      | 2 604 610 032 | Compression Spring                   | 1            | -,-   | 1        | 11          |
| 751     | 2 608 601 053 | Backing Pad Ø 150 MM                 | N/A          | -,-   | 1        | -           |
| 751     | 2 608 601 051 | Backing Pad Ø 150 MM                 | N/A          | -,-   | 1        | -           |
| 751     | 2 608 601 052 | Backing Pad Ø 150 MM                 | N/A          | -,-   | 1        | -           |
| 754     | 2 605 411 067 | Dust Bag 3 PIECE                     | 2            | -,-   | 1        | -           |
| 754     | 2 605 411 068 | Dust Bag 10 PIECE                    | 2            | -,-   | 1        | -           |
| 757     | 2 600 282 014 | Suction Hood                         | 2            | -,-   | 1        | -           |
| 808     | 1 601 106 032 | Nameplate 26x52 MM                   | 1            | -,-   | 1        | 13          |
| 813     | 2 600 917 002 | Needle bearing                       | 1            | -,-   | 2        | 15          |
| 816/040 | 2 604 321 914 | Carbon-Brush Set                     | N/A          | -,-   | 1        | 22          |
| 816/060 | 2 601 329 051 | Ratchet Cap                          | N/A          | -,-   | 2        | 11          |
| 816/060 | 2 601 322 013 | Ratchet Cap                          | N/A          | -,-   | 2        | 11          |
| 850     | 1 907 950 006 | Offset Screwdriver DIN 911-SW5 BLACK | 1            | -,-   | 1        | 15          |

## Product information Random orbital sander - 0 603 298 739 - PEX 15 AE

|                     |                                |
|---------------------|--------------------------------|
| Product No          | 0 603 298 739                  |
| Description         | 251.372; Random orbital sander |
| DIN-Text            |                                |
| ID_Text_Ext         | 0                              |
| Trading_Description | PEX 15 AE                      |
| Voltage_1           | 115 V                          |
| ID_Country_Product  | USA                            |

Illustration - Type E

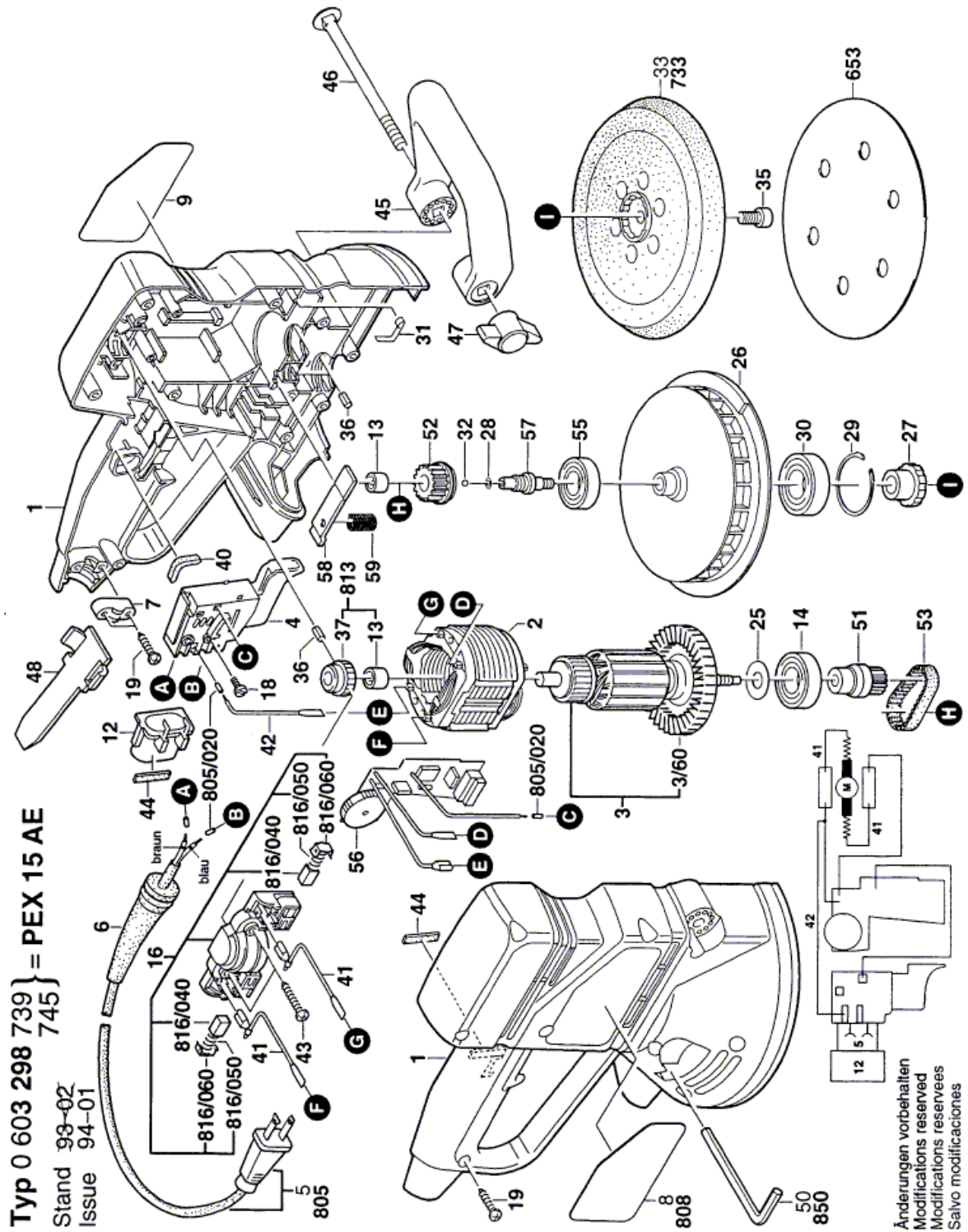
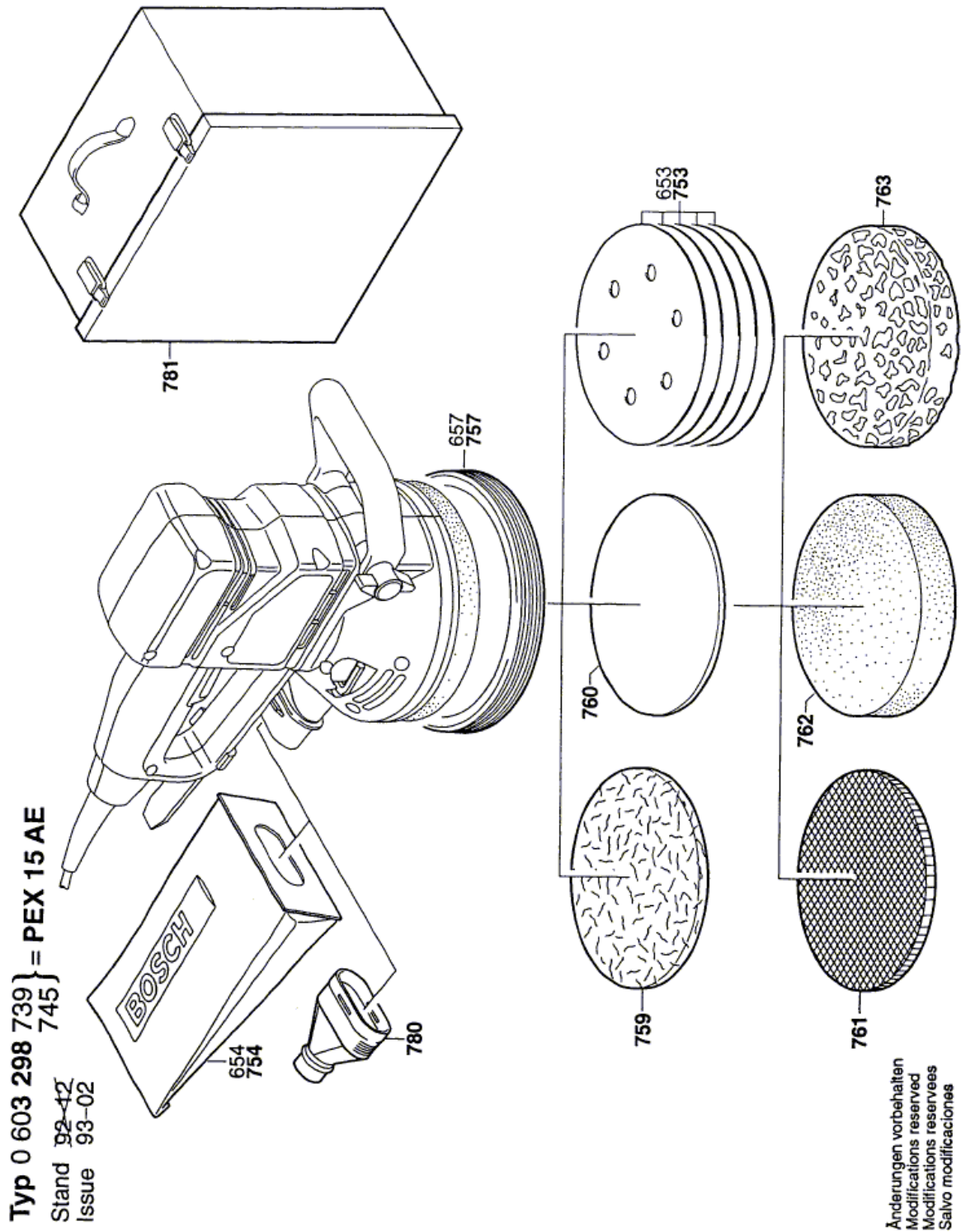


Illustration - Type E



Information subject to change without further notice.