

Tanaka Illustrated Parts Manual

Model Number:

PF-3000

UTILITY / SCOOTER ENGINE

P/N 32328

Rev 000

Date 3-30-04



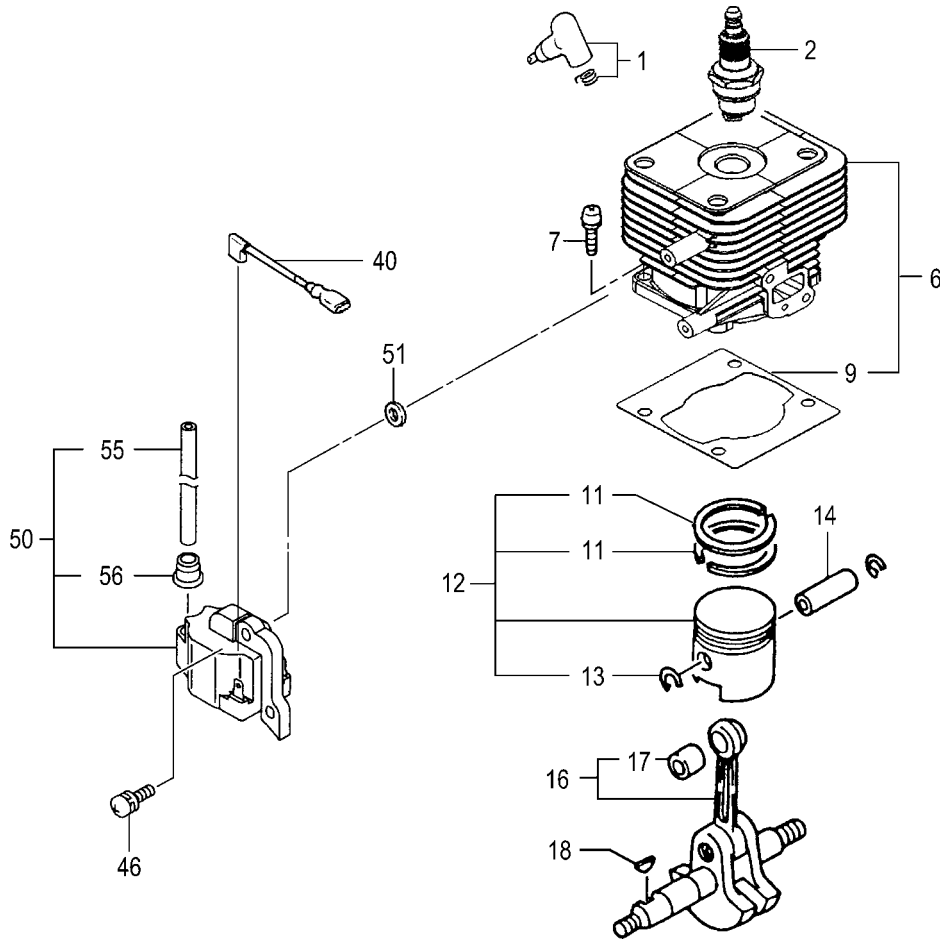
C.A.R.B. Tier II Certified!



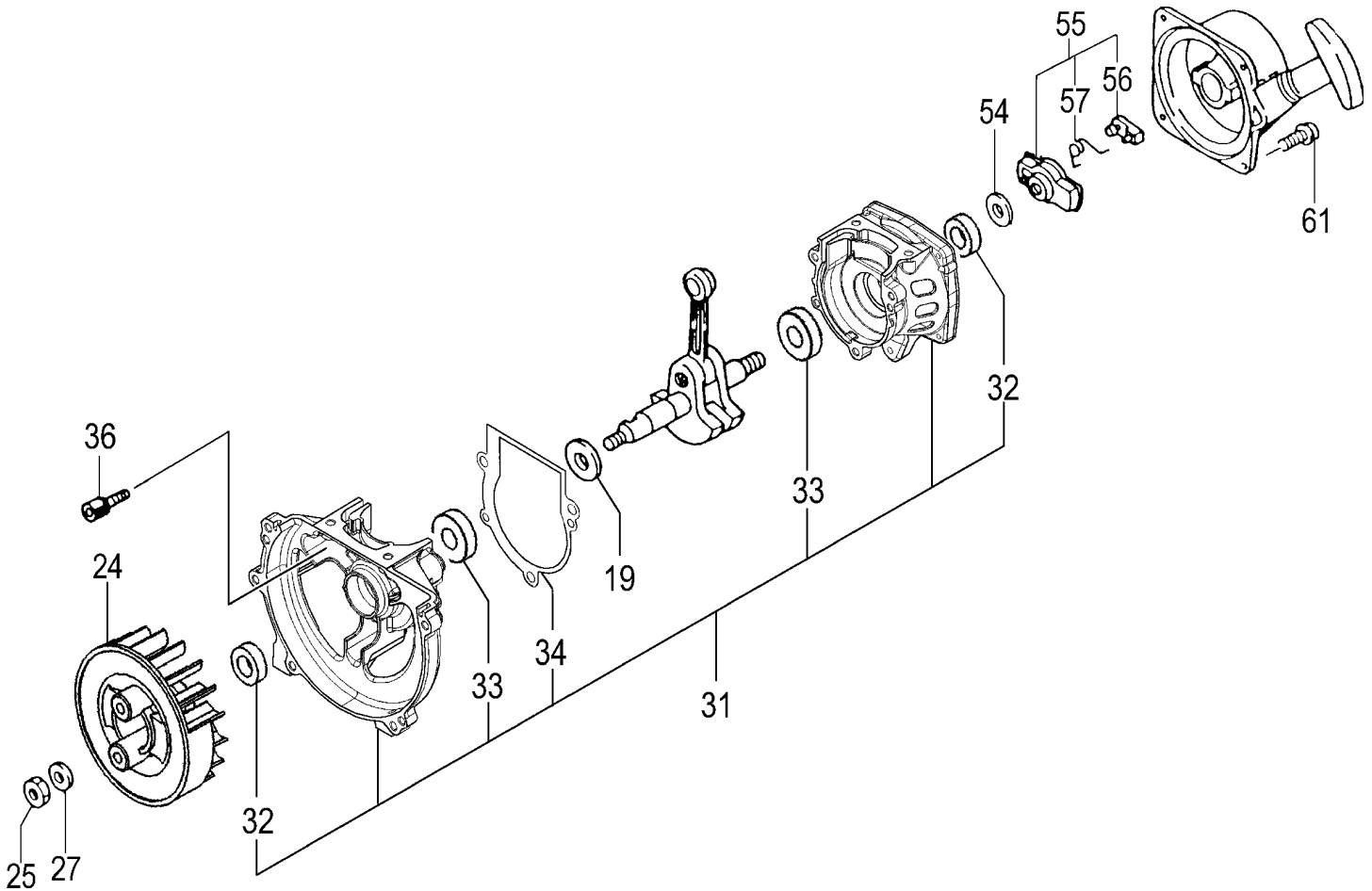
Supplier To The Outdoor Power Equipment Industry

ISM, Inc. • 1028 4th Street SW, Ste "B" • Auburn, WA 98001 • Phone: (253) 333-1200 • Fax: (253) 333-1212

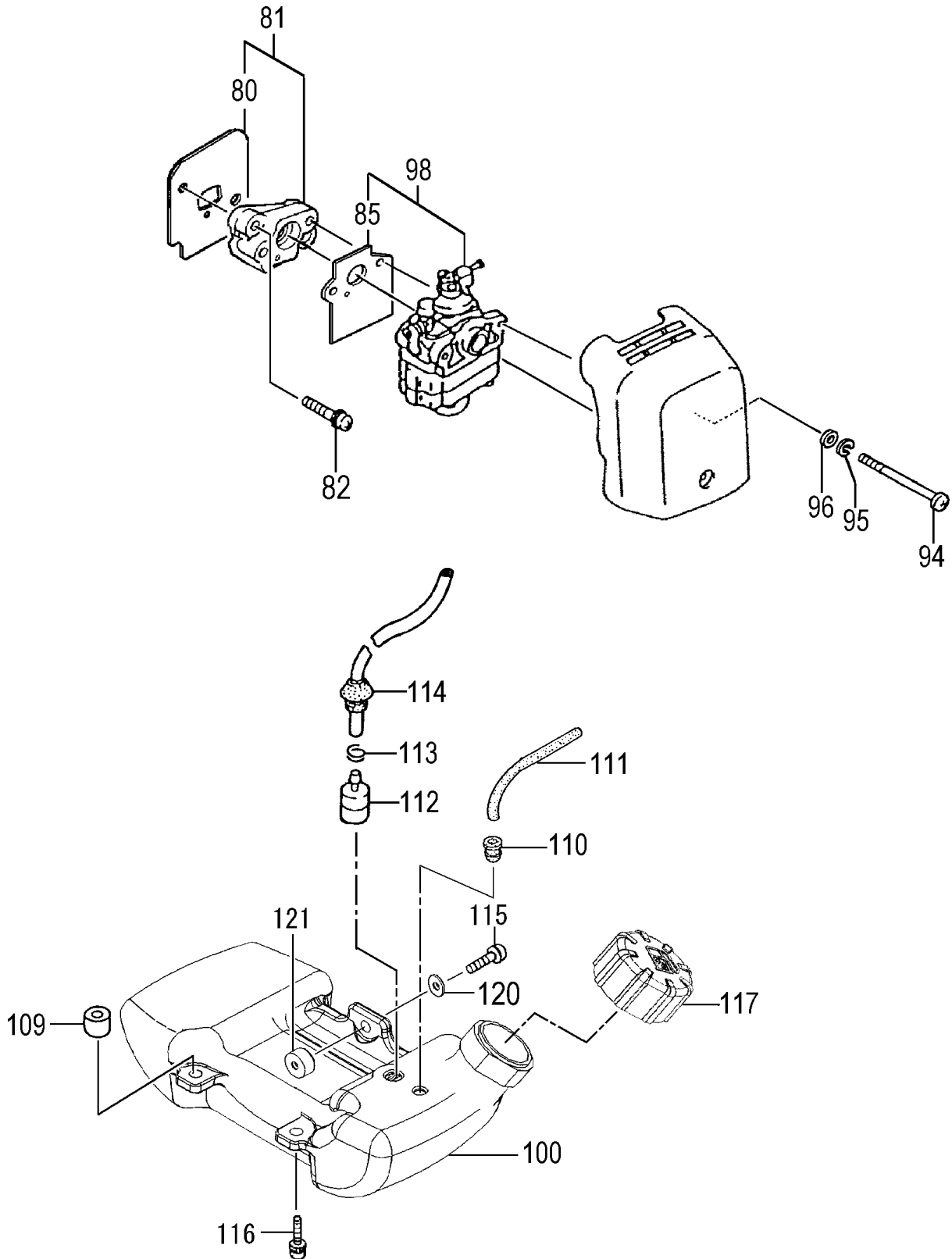
CYLINDER, PISTON, CRANKSHAFT, IGNITION • FIGURE 1



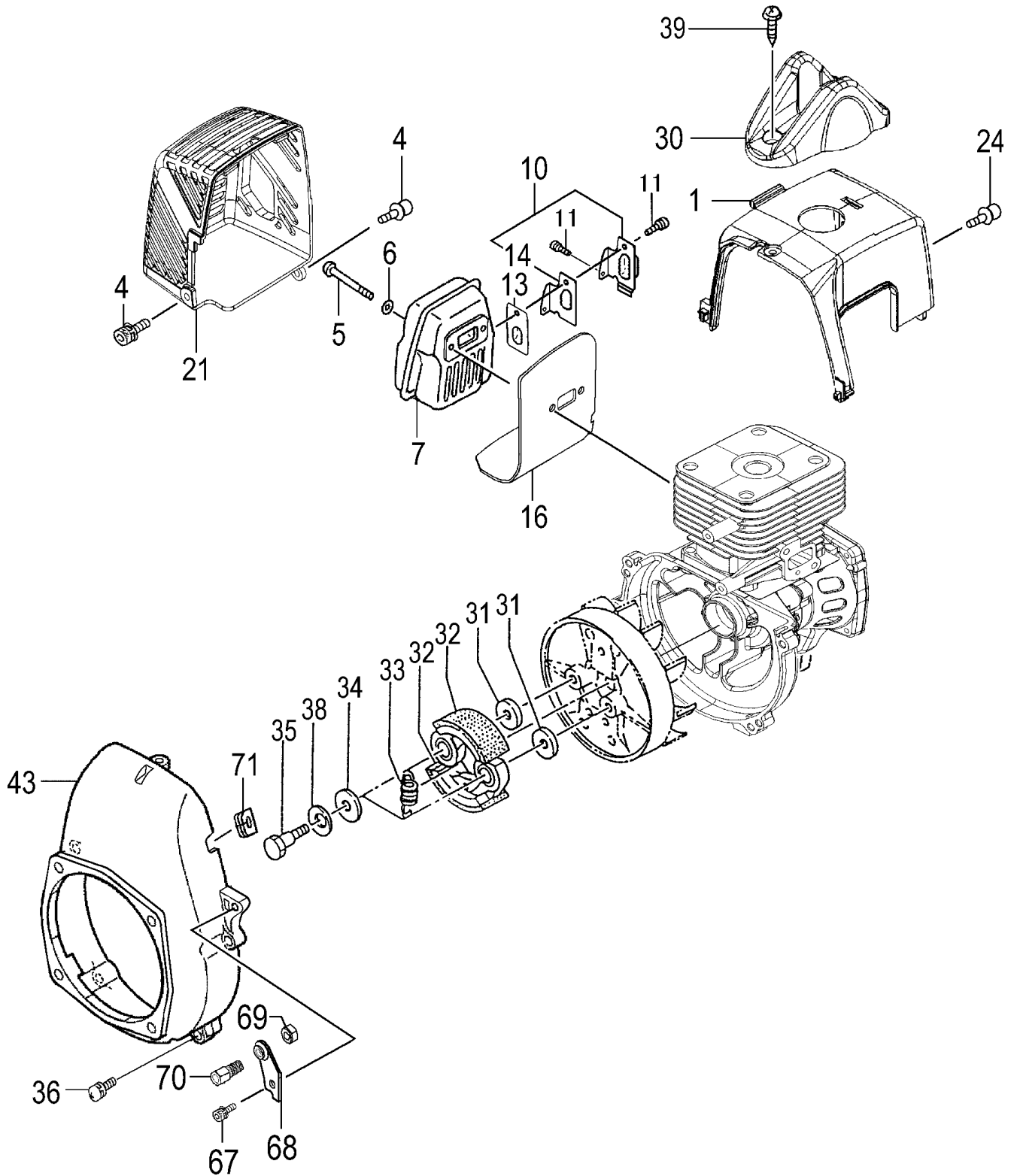
ITEM	PART NUMBER	DESCRIPTION	QTY	COMMENTS
1-1	15701570900	CAP, SPARK PLUG, ASSEMBLY	1	
1-2	0181161021	PLUG, SPARK	1	
1-6	0010725090	CYLINDER SET	1	
1-7	99461050164	BOLT, HEX, 5X16, S	4	
1-9	0170725020	GASKET, CYLINDER	1	
1-11	04101730200	RING, PISTON	2	
1-12	0300703091	PISTON SET	1	Includes circlips and piston rings
1-13	03900000201	CIRCLIP, PISTON PIN	2	
1-14	03701400200	PIN, PISTON	1	
1-16	0460702080	CRANKSHAFT	1	
1-17	99962091325	BEARING, NEEDLE, F-910	1	
1-18	06810100200	KEY, WOODRUFF, 3X13X4.5	1	
1-40	1780725080	STOP CORD	1	
1-46	99463040154	BOLT, HEX, 4X15, PS	2	~Z324000
1-46	99464040184	BOLT, HEX, 4X18WS	2	A001001~
1-50	1672054691	COIL, IGNITION	1	
1-51	1820186A201	WASHER, SPECIAL	2	A001001~
1-55	1782055320	WIRE, HIGH TENSION, 180L	1	
1-56	56020517200	CAP, RUBBER	1	



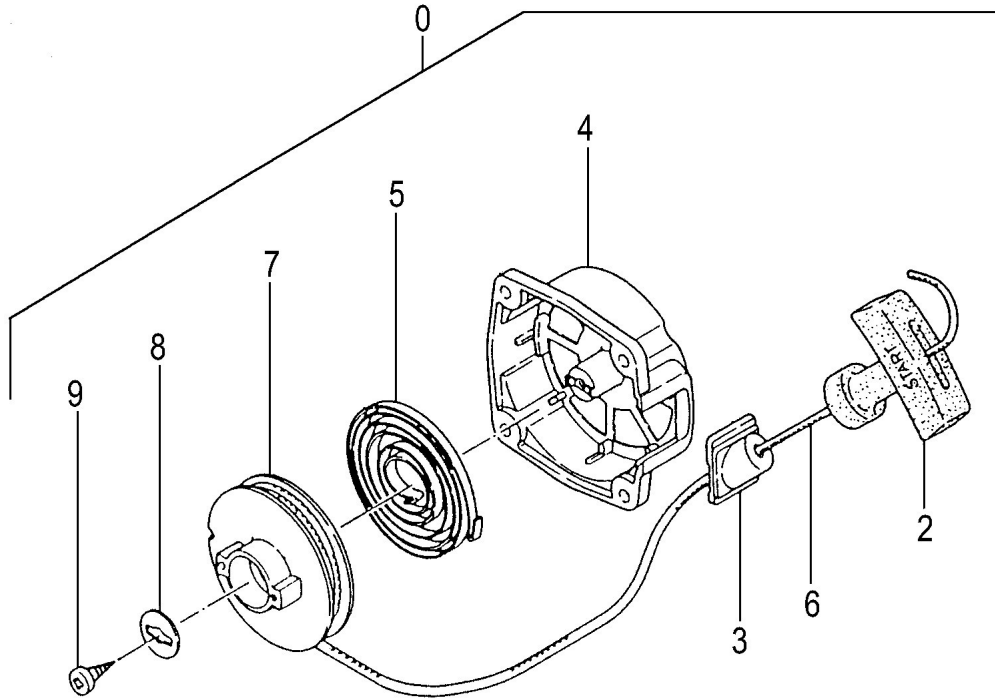
ITEM	PART NUMBER	DESCRIPTION	QTY	COMMENTS
2-19	33000200210	SHIM,12.2X19X.10	1	
2-19	33000200220	SHIM,12.2X19X.15	1	
2-19	33000200230	SHIM,12.2X19X.20	1	
2-19	33000200240	SHIM,12.2X19X.30	1	
2-24	1552054680	ROTOR,MAGNETO	1	
2-25	99101080011	NUT,8	1	
2-27	99200080011	WASHER,8	1	
2-31	0720725090	CRANKCASE ASSY	1	Includes bearings, seals and gasket
2-32	99966122240	SEAL,OIL	2	
2-33	99961600115	BEARING,BALL,6001 C3	2	
2-34	0900725020	GASKET,CRANKCASE	1	
2-36	99461050164	BOLT,HEX,5X16,S	3	
2-54	99201080011	WASHER,8	1	
2-55	7980166R90	PULLEY,STARTER,ASS'Y	1	
2-56	7880138A20	PAWL,STARTER	1	
2-57	7900162V200	SPRING,PAWL,STARTER	1	
2-61	99464040185	BOLT,HEX,4x18WS	2	



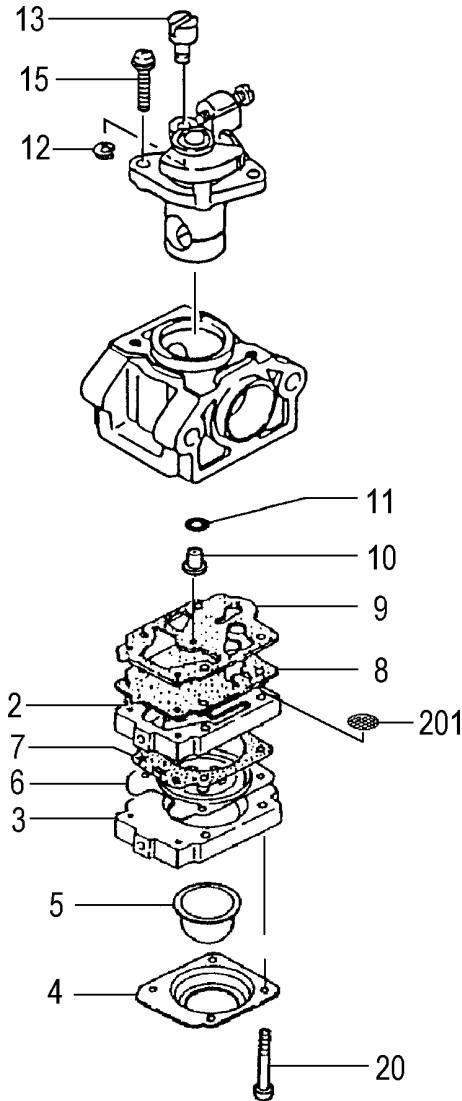
ITEM	PART NUMBER	DESCRIPTION	QTY	COMMENTS
3-80	4030702021	GASKET,INLET MANIFOLD	1	
3-81	4040702091	INSULATOR SET	1	
3-82	99464050254	BOLT,HEX HOLE,5X25WS	2	
3-85	4020656A200	GASKET	1	
3-94	99051050553	BOLT,HEX,5X55	2	
3-95	99210050012	WASHER,S,5	2	
3-96	99201050011	WASHER,5	2	
3-98	4550726090	CARBURETOR ASSY	1	
3-100	5910725020	TANK	1	
3-109	65900801200	COLLAR	3	
3-110	53432710200	GROMMET,FUEL PIPE	1	
3-111	7000300508	PIPE,FUEL,3X5X85	1	
3-112	6750404280	FILTER,FUEL	1	
3-113	68000731201	CLIP 6.3	1	
3-114	2230162V900	PIPE,FUEL	1	
3-115	99461050254	BOLT,HEX HOLE,5X25S	1	
3-116	99463050164	BOLT,HEX,5X16,PS	2	
3-117	5950300290	CAP,TANK (BLACK/RED)	1	
3-120	99201050061	WASHER,5	1	
3-121	6490725020	COLLAR,TANK	1	



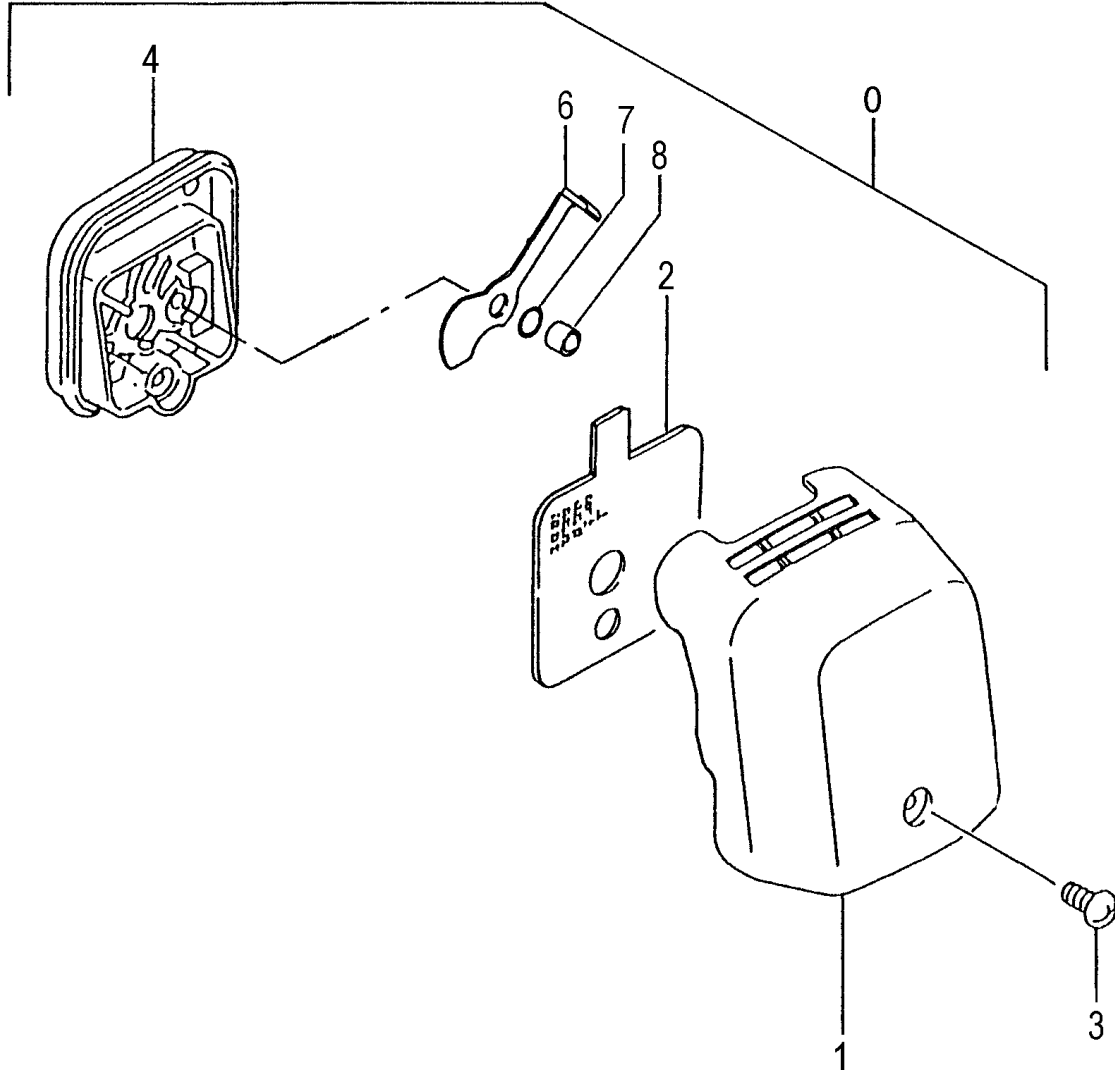
ITEM	PART NUMBER	DESCRIPTION	QTY	COMMENTS
4-1	0160725020	COVER,CYLINDER	1	
4-4	99463050164	BOLT,HEX,5X16,PS	2	
4-5	99053060653	SCREW,HEX,6X65	2	
4-6	99201060011	WASHER,6	2	
4-7	7060725080	MUFFLER	1	
4-10	7340725091	TAIL PIPE SET	1	
4-11	99436040081	SCREW,4X18WS	2	
4-13	7320725020	ARRESTER,SPARK	1	
4-14	7510725020	GASKET,MUFFLER	1	
4-16	1330725020	SHIELD,HEAT	1	
4-21	7380725020	PROTECTOR,MUFFLER	1	
4-24	99464040185	BOLT,HEX,4x18WS	2	
4-30	2570725020	COVER,PLUG	1	
4-31	35902103200	WASHER,CLUTCH,B	2	
4-32	29001620800	SHOE,CLUTCH	2	
4-33	3420630B200	SPRING,CLUTCH	1	
4-34	3480602R200	WASHER,CLUTCH A	2	
4-35	3570075T200	BOLT,STEP	2	
4-36	99464050184	BOLT,HEX,5X18,WS	4	
4-38	99205080030	WASHER,8	2	
4-39	99463040154	BOLT,HEX,4X15,PS	1	
4-43	1120726020	CASE,FAN,POLISHED	1	
4-67	99461040104	BOLT,HEX,4X10,S	1	
4-68	8780706020	PLATE,WIRE FIXING	1	
4-69	99101060013	NUT,6	1	
4-70	61425137200	ADJUSTER,CABLE	1	
4-71	20311660200	GROMMET,PRIMARY CORD	1	



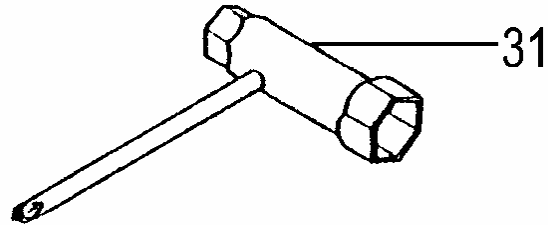
ITEM	PART NUMBER	DESCRIPTION	QTY	COMMENTS
5-0	7620162V900	STARTER,RECOIL ASS'Y	1	
5-2	78501620200	HANDLE,STARTER	1	
5-3	78006150200	GUIDE,ROPE	1	
5-4	77206150200	BODY,RECOIL STARTER	1	
5-5	7790136U200	SPRING,RECOIL	1	
5-6	7830162V200	ROPE,STARTER,3.5X890	1	
5-7	7740162V200	REEL,STARTER ROPE	1	
5-8	8010162V200	WASHER,ROPE REEL	1	
5-9	83900025200	SCREW,SET	1	



ITEM	PART NUMBER	DESCRIPTION	QTY	COMMENTS
6-0	4550726090	CARBURETOR ASSY	1	
6-2	5752515380	BODY,PUMP	1	
6-3	4422515180	PUMP,PRIMING	1	
6-4	4762515120	COVER,DIAPHRAGM	1	
6-5	44725108200	BULB,PRIMING	1	
6-6	~ ~ ~	METERING DIAPHRAGM	1	~ Contained in Carb Repair Kit
6-7	~ ~ ~	DIAPHRAGM GASKET	1	P/N 650-25140-900
6-8	~ ~ ~	PUMP DIAPHRAGM	1	(not available individually)
6-9	~ ~ ~	PUMP GASKET	1	
6-10	5992001W33	JET,MAIN,LONG,33	1	
6-11	55025100200	O-RING	1	
6-12	48925100200	RING,STOP	1	
6-13	53925120200	SWIVEL	1	
6-15	54825140200	SCREW,THROTTLE SET	2	
6-20	5482515120	SCREW,SET	4	
6-201	57825007200	SCREEN,INLET	1	



ITEM	PART NUMBER	DESCRIPTION	QTY	COMMENTS
7-0	4100714291	CLEANER,ASSY	1	
7-1	4520007021	COVER,AIR CLEANER	1	
7-2	4210007020	ELEMENT,CLEANER	1	
7-3	3800637C200	BOLT,CLEANER COVER	1	
7-4	4230007081	BODY,CLEANER	1	
7-6	5280714320	PLATE,CHOKE	1	
7-7	99204080030	WASHER	1	
7-8	6573252A20	COLLAR 8	1	



ITEM	PART NUMBER	DESCRIPTION	QTY	COMMENTS
8-31	8262000080	SPANNER,COMBI,17X19	1	