

## General Purpose Saw - 0 603 308 045 - PFZ 1200 A

www.powertools-aftersaleservice.com



**BOSCH**

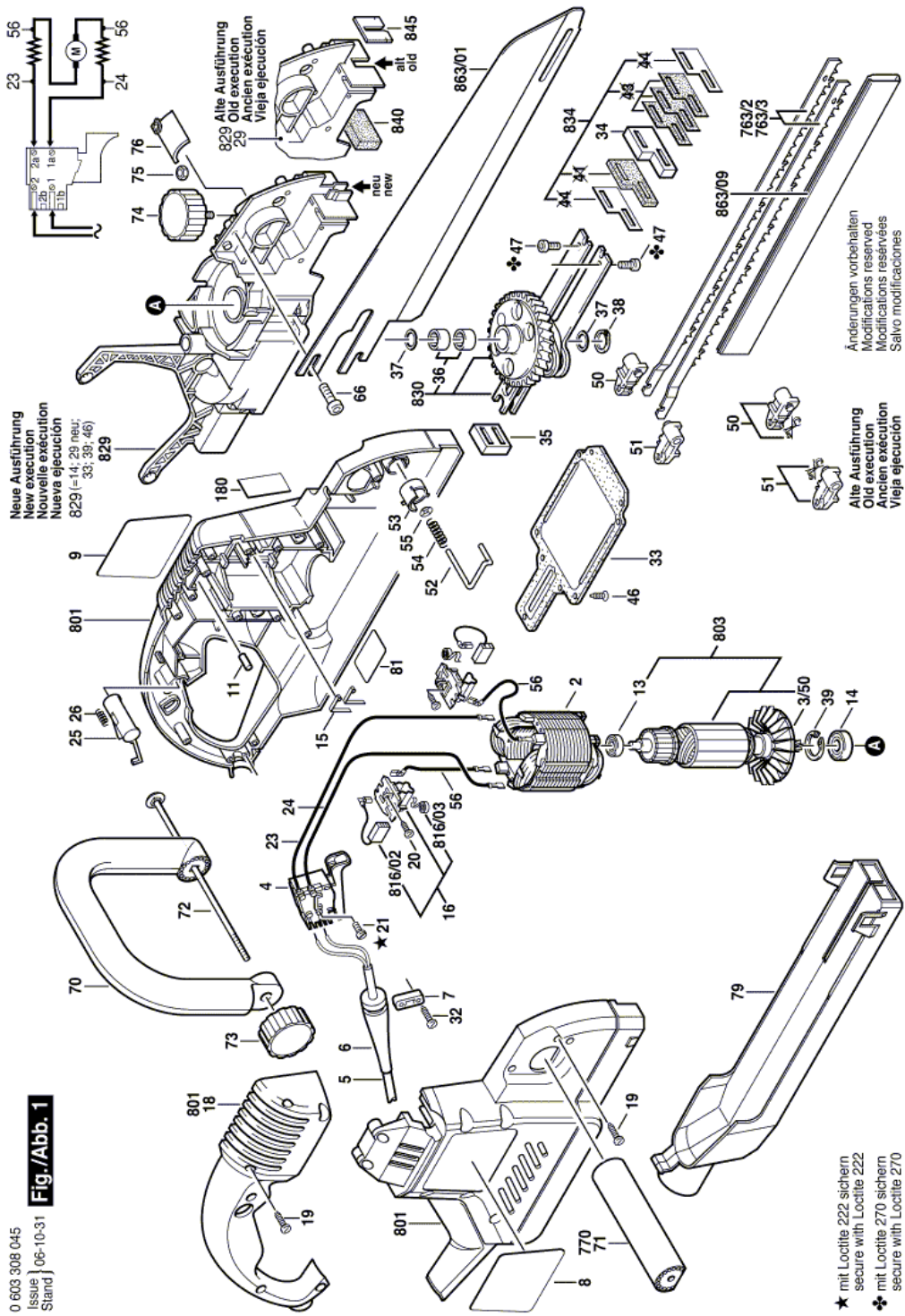
Item	Part Number	Description	Illustration	Price	Quantity	Price Group
2	1 604 220 267	Field 127V	1	-,-	1	34
3/50	3 606 610 002	Fan	1	-,-	1	13
4	3 607 200 066	Switch	1	-,-	1	23
5	1 604 460 092	Power supply cord USA/CDN 2,15m 2 x 2,08mm SJ 14/2	1	-,-	1	28
6	1 600 703 026	Grommet Ø7,2-Ø9,5x81 MM	1	-,-	1	12
6	1 600 703 027	Grommet Ø9,6-Ø12,0x81 MM	1	-,-	1	14
7	1 611 035 005	Cable Clip	1	-,-	1	11
8	3 601 110 303	Nameplate	1	-,-	1	15
9	3 601 110 258	Manufacturer's nameplate	1	-,-	1	15
11	1 603 100 036	Rubber Buffer	1	-,-	1	11
13	2 600 905 032	Deep-Groove Ball Bearing 7x19x6	1	-,-	1	17
14	1 900 905 160	Deep-Groove Ball Bearing 6000-2 RSY DIN 625	1	-,-	1	32
15	3 604 680 003	Contact Spring	1	-,-	2	11
16	3 604 336 007	Brush Holder	1	-,-	2	27
18	3 605 500 125	Housing Cover GREEN	1	-,-	1	23
19	3 603 435 009	Tapping Screw TORX ST 3,9x19-C-Z	1	-,-	14	11
20	2 910 211 006	Tapping Screw DIN 7971-BZ2,9x13	1	-,-	2	10
21	2 603 410 001	Socket head cap screw M3x6,5-4.8	1	-,-	4	11
23	3 604 411 036	Connecting Cable L=280 MM WHITE	1	-,-	1	15
24	3 604 411 038	Connecting Cable L=180 MM WHITE	1	-,-	1	14
25	3 602 329 028	Rejection Slide	1	-,-	1	11
26	3 604 610 041	Compression Spring	1	-,-	1	11
32	2 910 211 019	Tapping Screw DIN 7971-ST3,9x16-F	1	-,-	2	10
33	3 605 500 133	Gear Cover	1	-,-	1	24
34	3 600 929 027	Plain bearing	1	-,-	1	19
35	3 600 929 030	Plain bearing	1	-,-	1	17
36	3 600 913 008	Needle bearing	1	-,-	2	15
37	3 600 102 045	Friction Washer	1	-,-	2	11
38	2 916 650 903	Spring retaining ring DIN 471-12x1-FSTM	1	-,-	1	10
39	2 916 660 010	Spring retaining ring DIN 472-26x1,2 MM	1	-,-	1	10
46	3 603 391 003	Thread-forming tap. Screw M3x8	1	-,-	9	11
47	3 603 410 020	Hex Socket Head Cap Screw M 6x16 MM	1	-,-	2	11

Item	Part Number	Description	Illustration	Price	Quantity	Price Group
50	3 602 319 021	Base Body	1	-,-	1	23
51	3 602 319 022	Base Body	1	-,-	1	23
52	3 601 921 005	Bow	1	-,-	1	18
53	3 600 522 002	Actuating Element	1	-,-	1	15
54	3 604 682 004	Compression Spring	1	-,-	1	12
55	3 600 112 002	Locking Washer	1	-,-	1	11
56	3 604 411 035	Connecting Cable L=125 MM WHITE	1	-,-	2	14
66	3 603 386 041	Hex Socket Head Cap Screw M6	1	-,-	3	11
70	3 605 132 063	Auxiliary Handle	1	-,-	1	28
71	3 600 723 012	Distance Pipe	1	-,-	1	20
72	3 603 300 015	Round-Head Bolt	1	-,-	1	14
73	3 602 317 021	Handwheel M6	1	-,-	1	16
74	3 602 317 020	Handwheel M6	1	-,-	1	17
75	2 915 011 007	Hex Nut DIN 934-M6-8-A	1	-,-	2	10
76	3 601 329 018	Clamping Piece	1	-,-	1	11
79	3 602 317 017	Suction Channel	1	-,-	1	29
81	3 601 110 332	Reference Plate	1	-,-	1	13
763	2 608 632 119	Saw Blade Set 300 MM	N/A	-,-	1	-
763	2 608 632 122	Saw Blade Set 300 MM	N/A	-,-	1	-
801	3 605 108 147	Motor Housing GREEN	1	-,-	1	40
802	1 607 000 710	Field 100-120V	N/A	-,-	1	43
803	1 604 010 498	Armature 110-120V	1	-,-	1	-
816/02	3 604 321 025	Carbon Brush	1	-,-	1	24
816/03	3 604 652 500	Spiral Spring	1	-,-	1	10
829	3 605 109 010	Gear Housing	1	-,-	1	44
830	3 602 319 020	Lift Gear Z=78	1	-,-	1	45
834	3 600 929 039	Seal Kit	1	-,-	1	25
840	1 602 381 006	Insulating Plate 20x20x50 MM	1	-,-	5	11
845	3 600 929 034	Lateral Guide	1	-,-	1	17
863/01	2 608 045 016	Sword 300 MM	1	-,-	1	33
863/09	2 601 329 048	Guard Profile 300 MM	1	-,-	1	14

## Product information General Purpose Saw - 0 603 308 045 - PFZ 1200 A

Product No	0 603 308 045
Description	253.324; General Purpose Saw
DIN-Text	
ID_Text_Ext	0
Trading_Description	PFZ 1200 A
Voltage_1	115 V
ID_Country_Product	USA

Illustration - Type E



Information subject to change without further notice.