

Portable Planer - 0 603 272 039 - PHO 100

www.powertools-aftersaleservice.com



BOSCH

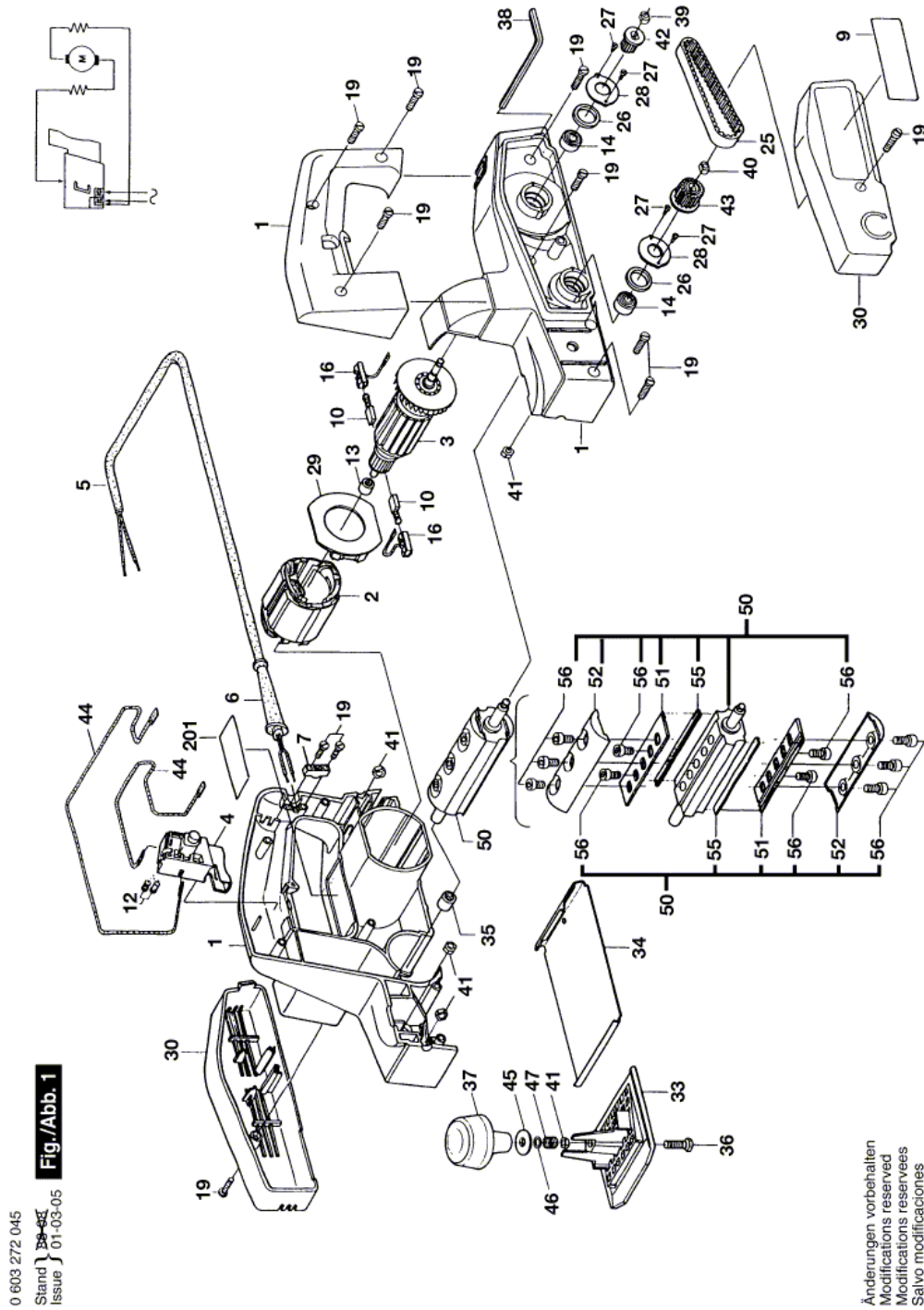
Item	Part Number	Description	Illustration	Price	Quantity	Price Group
	1 2 605 104 882	Housing Section BLUE	1	-,-	1	-
	2 2 604 220 390	Field 110-115V	1	-,-	1	28
	3 2 604 010 756	Armature 110-115V	1	-,-	1	37
3/60	1 606 610 116	Fan	N/A	-,-	1	14
	4 2 607 200 261	On-Off Switch	1	-,-	1	21
	4 2 607 200 262	On-Off Switch	1	-,-	1	22
	5 1 614 460 010	Power supply cord USA/CAN/SMA 2,15m 2 x 0,82mm SJ 16/2	1	-,-	1	25
	6 2 600 703 008	Grommet Ø8,2 MM	1	-,-	1	11
	7 2 601 035 001	Cable Clip	1	-,-	1	11
	9 2 601 118 027	Sticker SUNNY SIDE	1	-,-	1	15
	10 2 604 321 905	Carbon-Brush Set	1	-,-	1	23
	13 2 600 910 005	Needle bearing	1	-,-	1	14
	14 2 600 905 052	Deep-Groove Ball Bearing 8x22x7	1	-,-	2	20
	16 2 604 449 026	Brush Holder	1	-,-	2	11
	18 2 603 410 001	Socket head cap screw M3x6,5-4.8	N/A	-,-	2	11
	19 2 603 490 022	Torx Oval-Head Screw 4x16	1	-,-	11	10
	25 2 604 736 001	Toothed Belt	1	-,-	1	22
	26 1 600 206 025	Rubber Ring	1	-,-	1	12
	27 2 910 211 005	Tapping Screw DIN 7971-ST2,9x9,5-F	1	-,-	4	10
	28 1 600 190 016	Tab Washer	1	-,-	2	11
	29 2 600 290 004	Air-Deflector Ring	1	-,-	1	12
	30 2 605 500 163	Covering hood	1	-,-	1	23
	33 2 608 000 012	Adjusting Slide	1	-,-	1	22
	34 1 608 000 091	Base Plate	1	-,-	1	17
	35 1 610 910 057	Needle bearing Ø8xØ12x10 MM	1	-,-	1	14
	36 2 911 061 209	Hex Screw DIN 933-M6x40-8.8	1	-,-	1	13
	37 2 602 026 041	Handle	1	-,-	1	14
	38 2 607 950 004	Offset Screwdriver DIN 911-4	1	-,-	1	11
	39 2 603 342 006	Round Nut M6 LEFTHAND THREADS	1	-,-	1	11
	40 2 603 342 010	Nut M 8	1	-,-	1	13
	41 2 915 011 007	Hex Nut DIN 934-M6-8-A	1	-,-	5	10
	42 2 606 625 001	Toothed Belt Wheel Z= 18	1	-,-	1	16
	43 2 606 625 002	Toothed Belt Wheel Z=28	1	-,-	1	18

Item	Part Number	Description	Illustration	Price	Quantity	Price Group
44	2 604 448 062	Connecting Cable L = 288 MM WHITE	1	-,-	2	11
45	2 600 100 029	Plain Washer	1	-,-	1	11
46	2 916 011 014	Plain Washer DIN 125-A 6,4-ST	1	-,-	1	10
47	2 604 611 010	Compression Spring	1	-,-	1	11
51	2 602 316 000	Pressure Plate	1	-,-	2	16
52	2 605 510 007	Clamping Jaw	1	-,-	2	15
55	2 607 000 096	Planing Knife	1	-,-	1	-
54	2 603 414 027	Hex Socket Head Cap Screw	N/A	-,-	10	11
201	1 601 110 058	Reference Plate DOUBLE INSULATION	1	-,-	1	11
244	2 604 448 117	Cable	N/A	-,-	1	-
780	2 607 000 102	Parallel-Guide	N/A	-,-	1	-
781	2 607 000 073	Depth-Gauge	N/A	-,-	1	-
888	1 601 106 032	Nameplate 26x52 MM	N/A	-,-	1	13

Product information Portable Planer - 0 603 272 039 - PHO 100

Product No	0 603 272 039
Description	251.429; Portable Planer
DIN-Text	
ID_Text_Ext	0
Trading_Description	PHO 100
Voltage_1	115 V
ID_Country_Product	USA

Illustration - Type E



Information subject to change without further notice.