

# **Tanaka** Illustrated Parts Manual

Model Number:

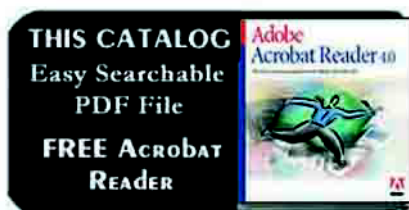
**PK-SE2035**

**35cc Powerkart**

P/N 32297

Rev 000

Date 2/17/04

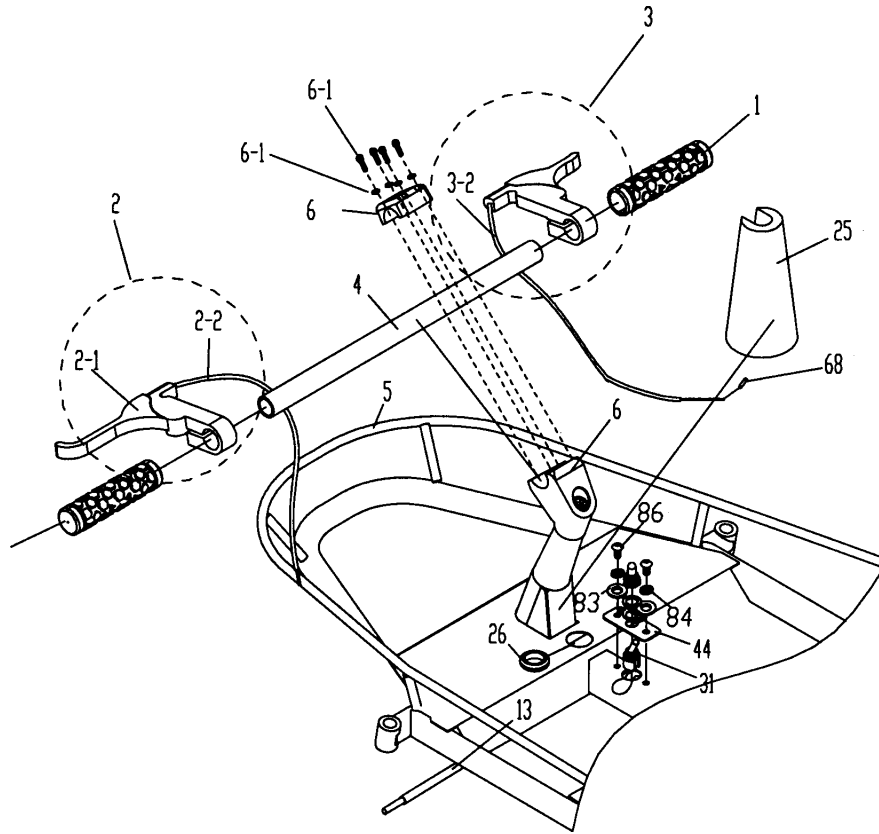


*Supplier To The Outdoor Power Equipment Industry*

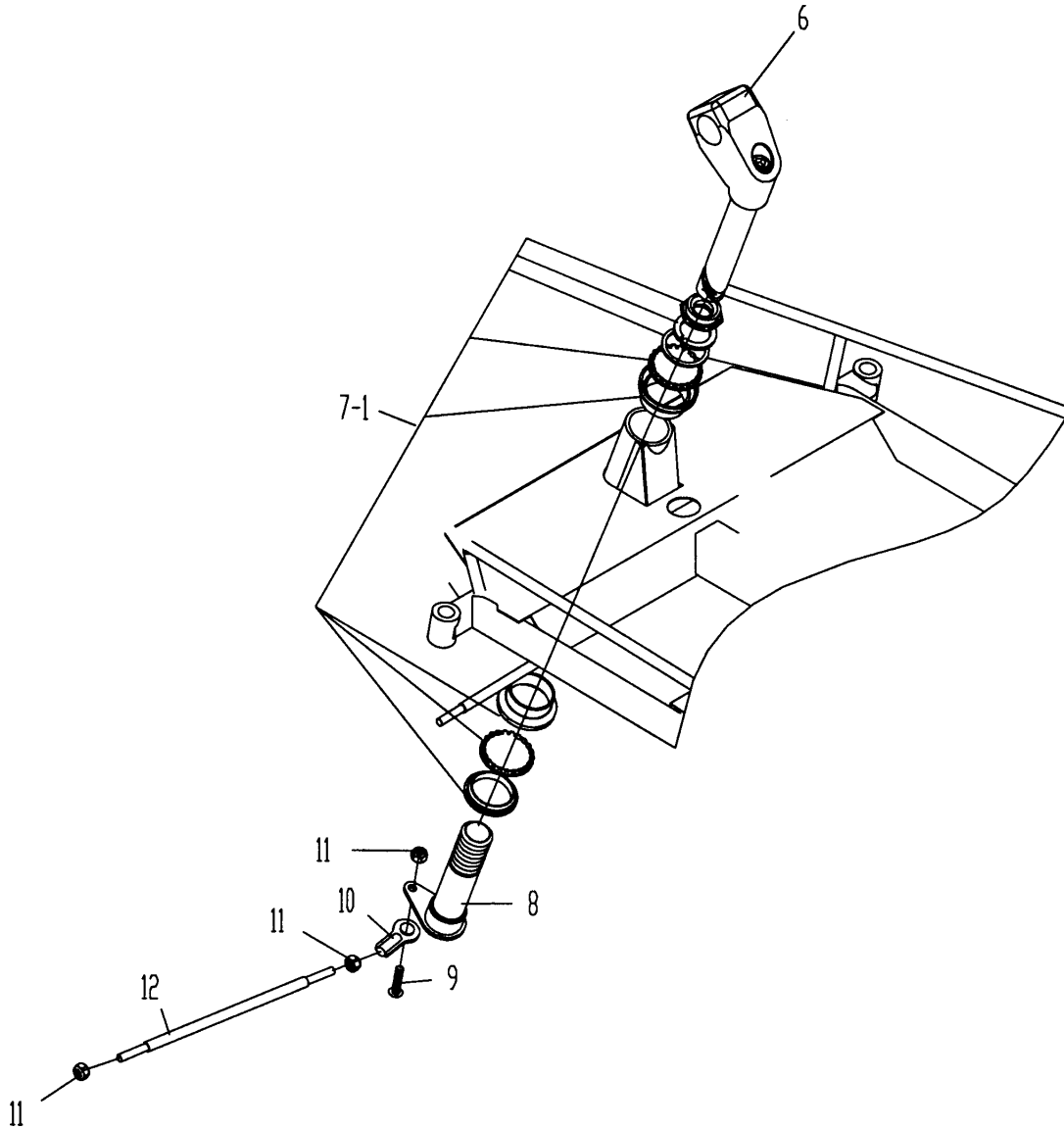
ISM, Inc. • 1028 4<sup>th</sup> Street SW • Auburn, WA 98001 • Phone: (253) 333-1200 • Fax: (253) 333-1212

[www.tanaka-usa.com](http://www.tanaka-usa.com)

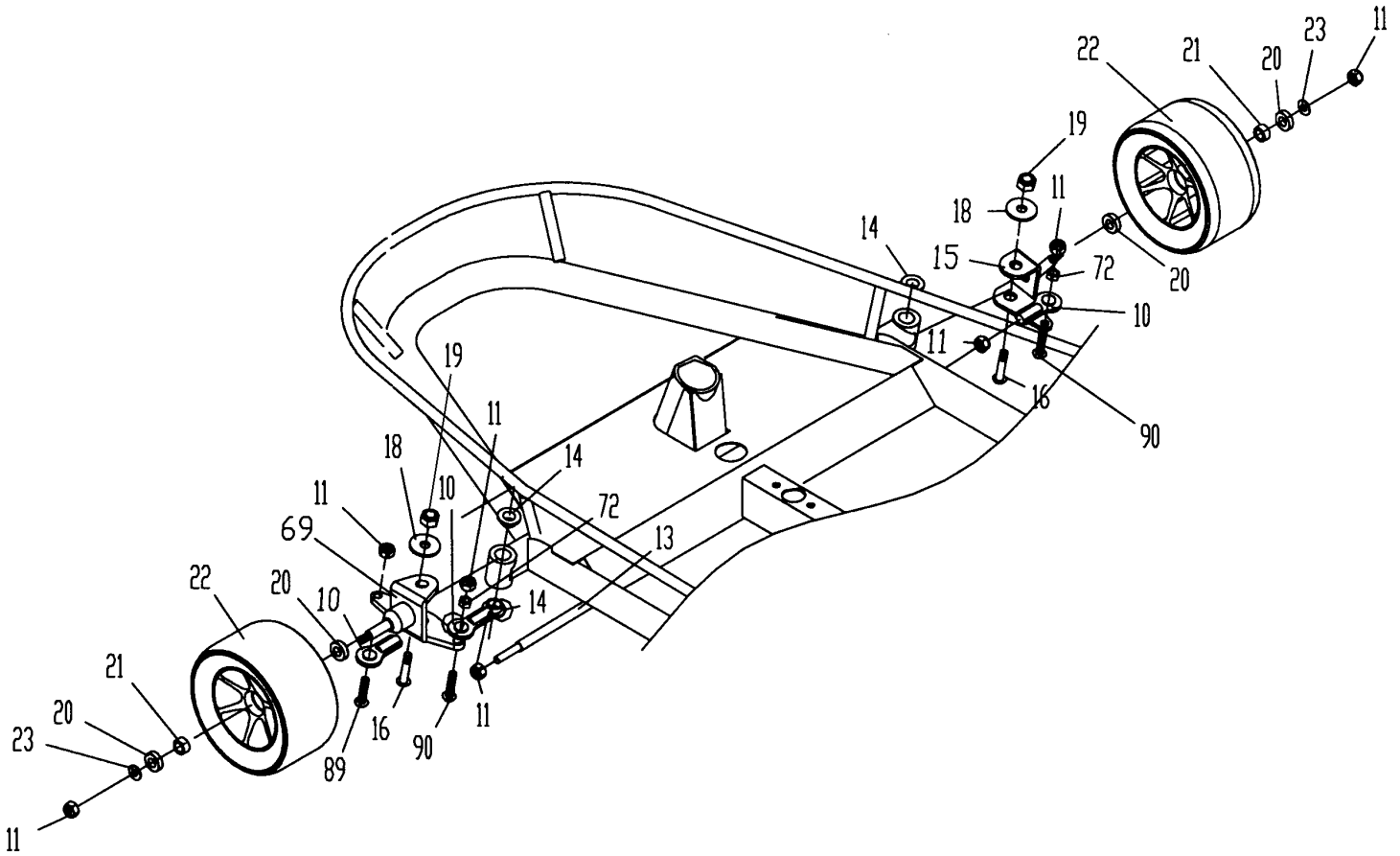
[custsvc@tanaka-ism.com](mailto:custsvc@tanaka-ism.com)



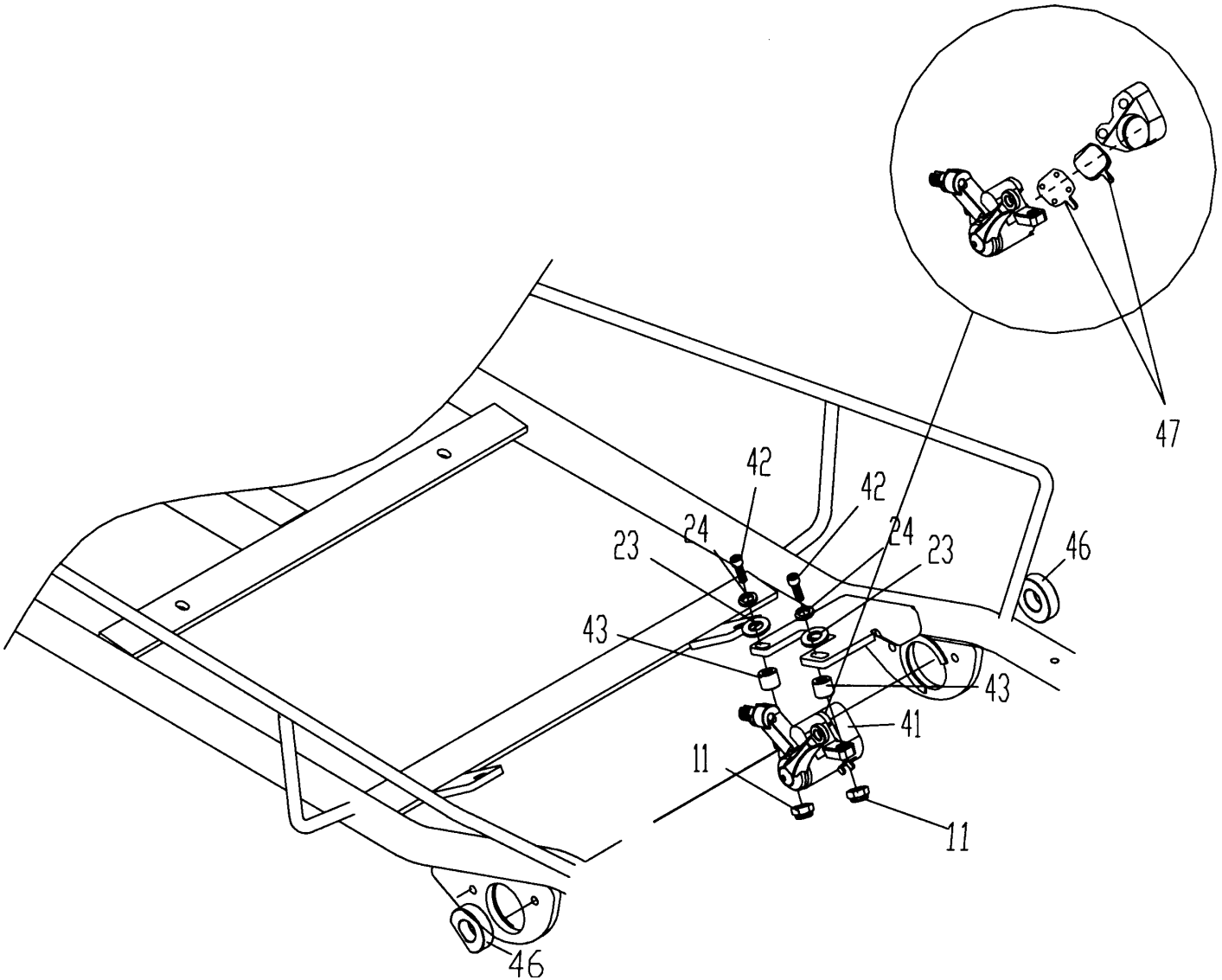
ITEM	PART NUMBER	DESCRIPTION	QTY	COMMENTS
1-1	30798	GRIP,HANDLE	2	
1-2	70079	LEVER,BRAKE ASS'Y	1	
1-2-1	30801	LEVER,BRAKE	1	
1-2-2	70023	CABLE,BRAKE,TPK	1	
1-3	70024	LEVER,THROTTLE ASSY,TPK	1	
1-3-2	70026	CABLE,THROTTLE,TPK	1	
1-4	70027	HANDLEBAR,TPK	1	
1-5	70028 BK	FRAME,BLACK,TPK	1	
1-6	70029	HANDLEBAR STEM	1	
1-6-1	70078	HANDLEBAR STEM CAP	1	
1-13	70041	TIE ROD,LONG	1	
1-25	70051	HANDLEBAR NYLON	1	
1-26	70052	PLASTIC,GM2518	1	
1-31	70055	SWITCH,TOGGLE,TPK	1	
1-44	70066	PLATE,SWITCH	1	
1-68	70068	CABLE END,THROTTLE	1	
1-83	70076	WASHER	2	
1-84	30830	WASHER,SPRING M6	2	
1-86	31566	BOLT,M6xP1.0x15	2	



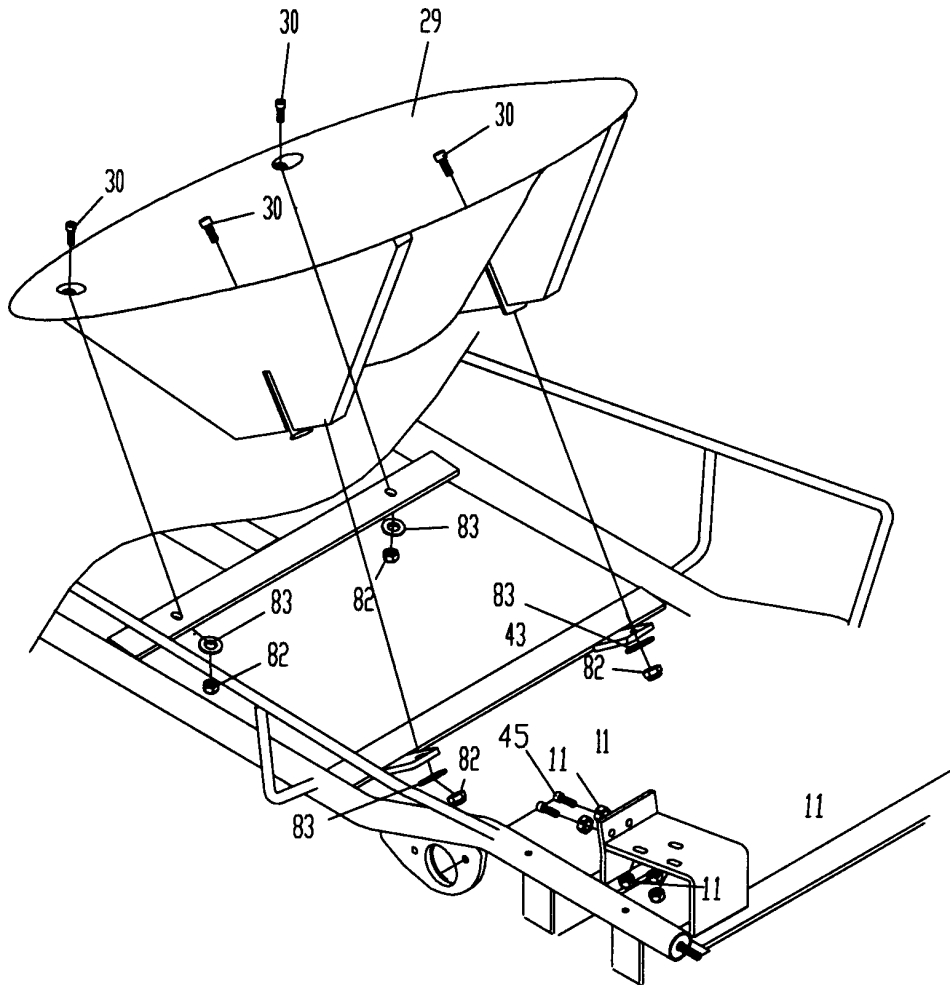
ITEM	PART NUMBER	DESCRIPTION	QTY	COMMENTS
2-6	70029	HANDLEBAR STEM	1	
2-7-1	70030	HEAD BEARING KIT	1	
2-8	70038	STEERING STEM	1	
2-9	31563	BOLT,M6xP1.0x20	1	
2-10	70039	TIE ROD END	1	
2-11	30936	NUT,M6xP1.0	3	
2-12	70040	TIE ROD,SHORT	1	



ITEM	PART NUMBER	DESCRIPTION	QTY	COMMENTS
3-10	70039	TIE ROD END	3	
3-11	30936	NUT,M6xP1.0	7	
3-13	70041	TIE ROD,LONG	1	
3-14	70042	SPACER,T-1174	3	
3-15	70043	WHEEL MOUNT,RIGHT	1	
3-16	70044	BOLT,K-292	2	
3-18	70045	WASHER	2	
3-19	70046	NUT	2	
3-20	70047	WHEEL BEARING,FRONT,TPK	4	
3-21	70048	SPACER,T-1172	2	
3-22	31795	FRONT WHEEL SET,STOCK	1	<b>NOTE: Wheel bearings not included</b>
3-23	70050	WASHER	2	
3-69	70069	WHEEL MOUNT,LEFT	1	
3-72	30936	NUT,M6xP1.0	2	
3-89	31468	BOLT,M6xP1.0x25	2	
3-90	31428	BOLT,M6xP1.0x30	2	

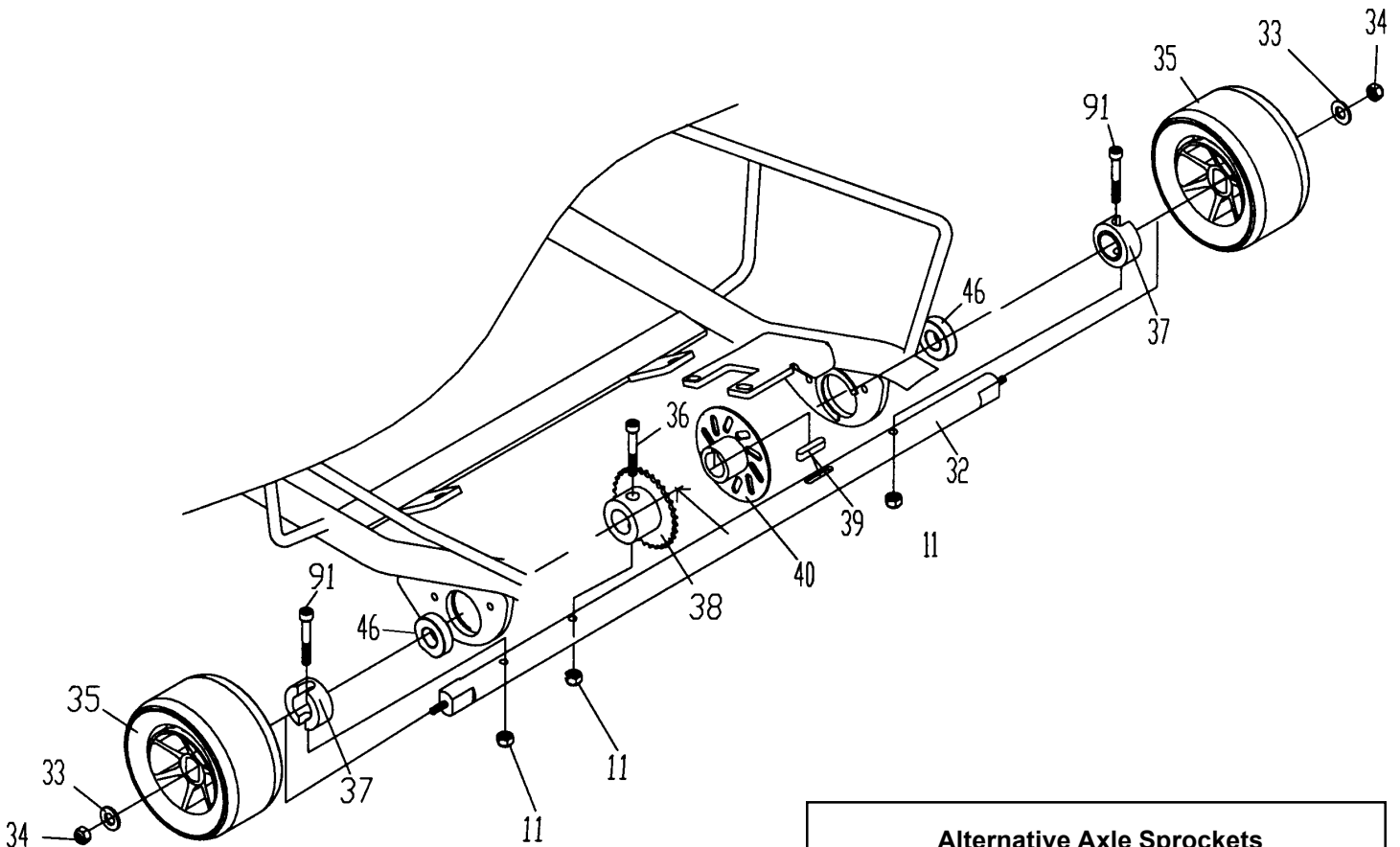


ITEM	PART NUMBER	DESCRIPTION	QTY	COMMENTS
4-11	30936	NUT,M6xP1.0	2	
4-23	70050	WASHER	2	
4-24	30830	WASHER,SPRING M6	2	
4-41	70065	BRAKE CALIPER ASSY	1	Includes brake pads
4-42	31150	BOLT,M6xP1.0x35,RD HD	2	
4-43	31212	SPACER,T-849	2	
4-46	70067	WHEEL BEARING,REAR,TPK	2	
4-47	70090	BRAKE PAD SET	1	



ITEM	PART NUMBER	DESCRIPTION	QTY	COMMENTS
5-11	30936	NUT,M6xP1.0	4	
5-29	70054	KART SEAT	1	
5-30	31468	BOLT,M6xP1.0x25	4	
5-43	31212	SPACER,T-849	1	
5-45	31563	BOLT,M6xP1.0x20	2	
5-82	30936	NUT,M6xP1.0	4	
5-83	70076	WASHER	4	

### REAR AXLE, REAR WHEELS, BRAKE ROTOR & AXLE SPROCKET • FIGURE 6

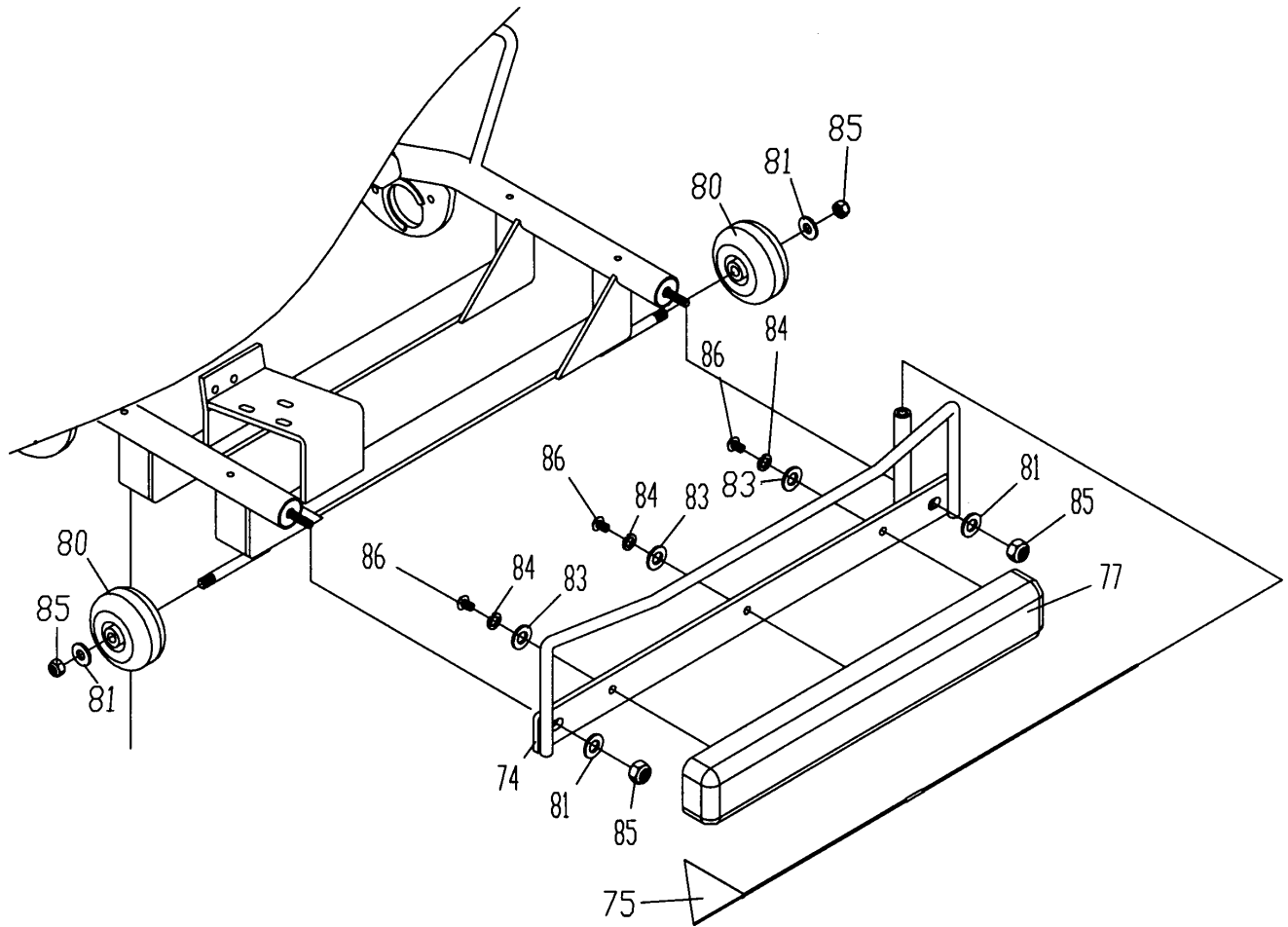


#### Alternative Axle Sprockets

32085 AXLE SPROCKET,31TH (-1)  
 32087 AXLE SPROCKET,33TH (+1)

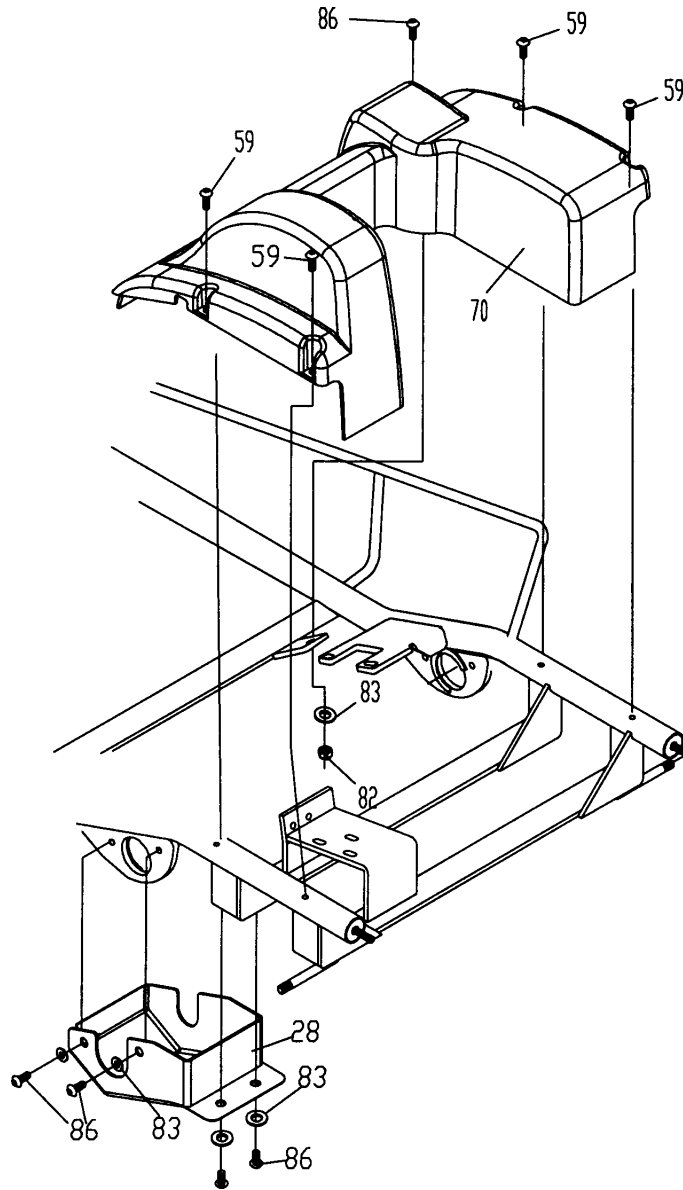


ITEM	PART NUMBER	DESCRIPTION	QTY	COMMENTS
6-11	30936	NUT,M6xP1.0	3	
6-32	70056	AXLE,REAR WHEEL	1	
6-33	70057	WASHER	2	
6-34	70058	NUT	2	
6-35	31796	REAR WHEEL SET,STOCK	1	
6-36	70060	BOLT,K-295	1	
6-37	70061	SPACER,T-1139	2	
6-38	32086	AXLE SPROCKET,32	1	
6-39	70063	KEY,6x6x28	1	
6-40	70064	BRAKE ROTOR	1	
6-46	70067	WHEEL BEARING,REAR,TPK	2	
6-91	70077	BOLT,K-289A	2	

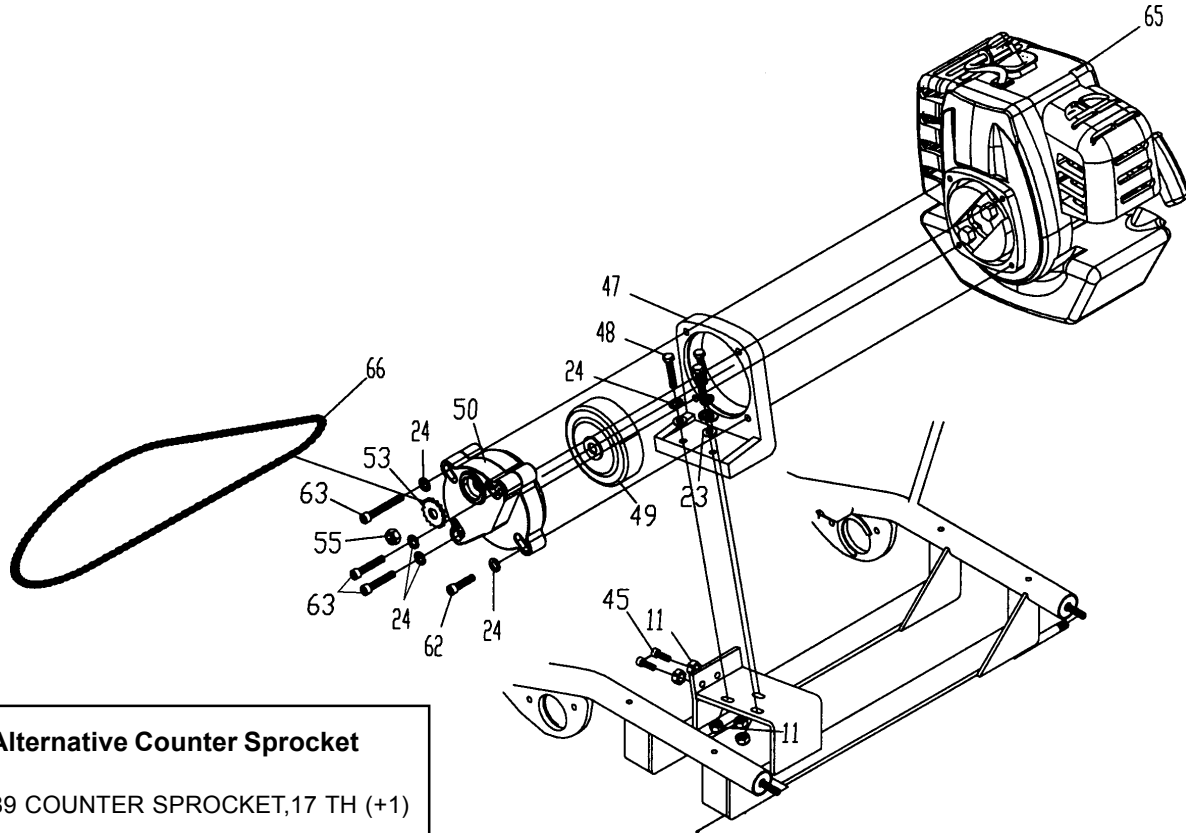


ITEM	PART NUMBER	DESCRIPTION	QTY	COMMENTS
7-74	70071	REAR BUMPER	1	
7-75	70072	FLAG,G01-002	1	
7-77	70073	BUMPER CUSHION	1	
7-80	70074	ROLLER WHEEL	2	
7-81	70075	WASHER	4	
7-83	70076	WASHER	3	
7-84	30830	WASHER,SPRING M6	3	
7-85	30821	NUT,M8xP1.25	4	
7-86	31566	BOLT,M6xP1.0x15	3	





ITEM	PART NUMBER	DESCRIPTION	QTY	COMMENTS
8-28	70053	SPROCKET COVER	1	
8-59	31097	BOLT, M6xP1.0x10	4	
8-70	70070	ENGINE COVER	1	
8-82	30936	NUT, M6xP1.0	1	
8-83	70076	WASHER	5	
8-86	31566	BOLT, M6xP1.0x15	5	



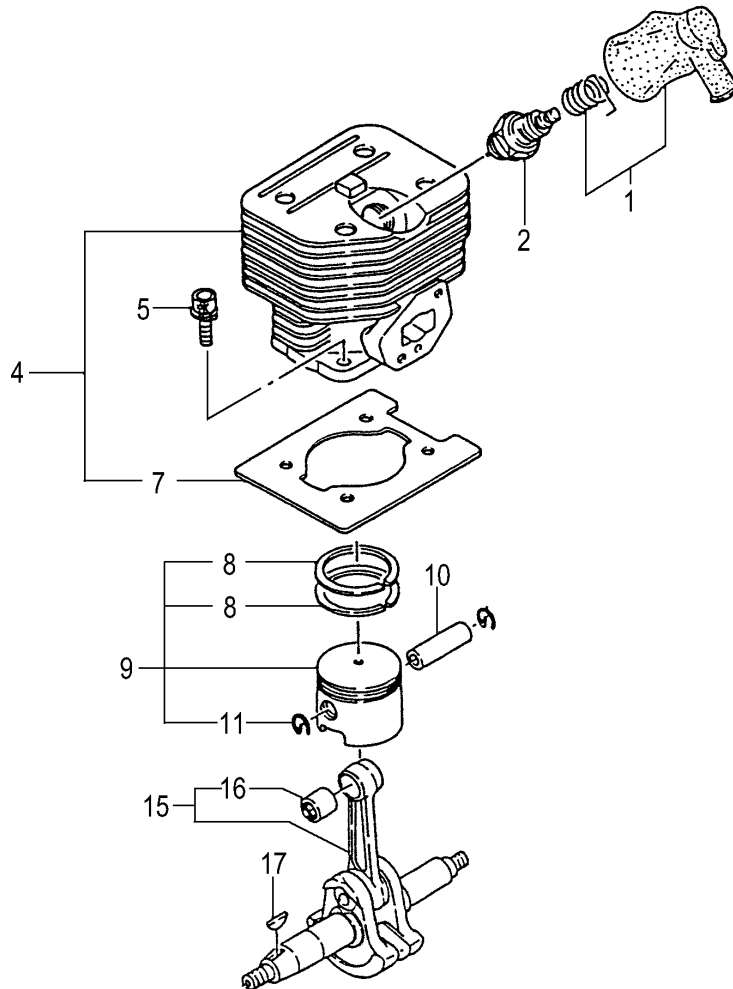
#### Alternative Counter Sprocket

32089 COUNTER SPROCKET, 17 TH (+1)



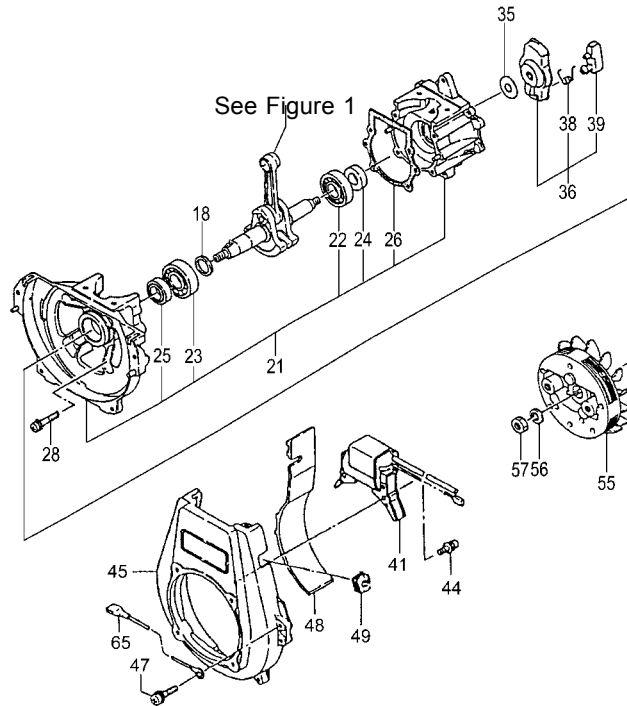
ITEM	PART NUMBER	DESCRIPTION	QTY	COMMENTS
9-11	30936	NUT, M6xP1.0	5	
9-23	31197	WASHER	3	
9-24	30830	WASHER, SPRING M6	7	
9-45	70081	BOLT	2	
9-47	70082	HOUSING, ENGINE MOUNTING	1	
9-48	70083	BOLT, M6xP1.0x30	3	
9-49	30836	DRUM, CLUTCH	1	
9-50	70084	GEAR BOX	1	
9-53	32088	COUNTER SPROCKET, 16	1	
9-55	30821	NUT, M8xP1.25	1	
9-62	70086	BOLT	1	
9-63	70087	BOLT	3	
9-65	PF-3300	PureFire Engine, 33cc	1	
9-65	TC-355	Engine, 35cc	1	
9-65	PF-4000	PureFire Engine, 40cc	1	
9-65	TC-4700	Engine, 47cc	1	
9-66	32200	CHAIN, TPK	1	
9-66	32228	CHAIN, 10FT BOX, TPK	Opt	Includes master links. Makes 5 loops
9-66	32229	CHAIN, 100FT ROLL, TPK	Opt	

### CYLINDER, PISTON, CRANKSHAFT • FIGURE 1

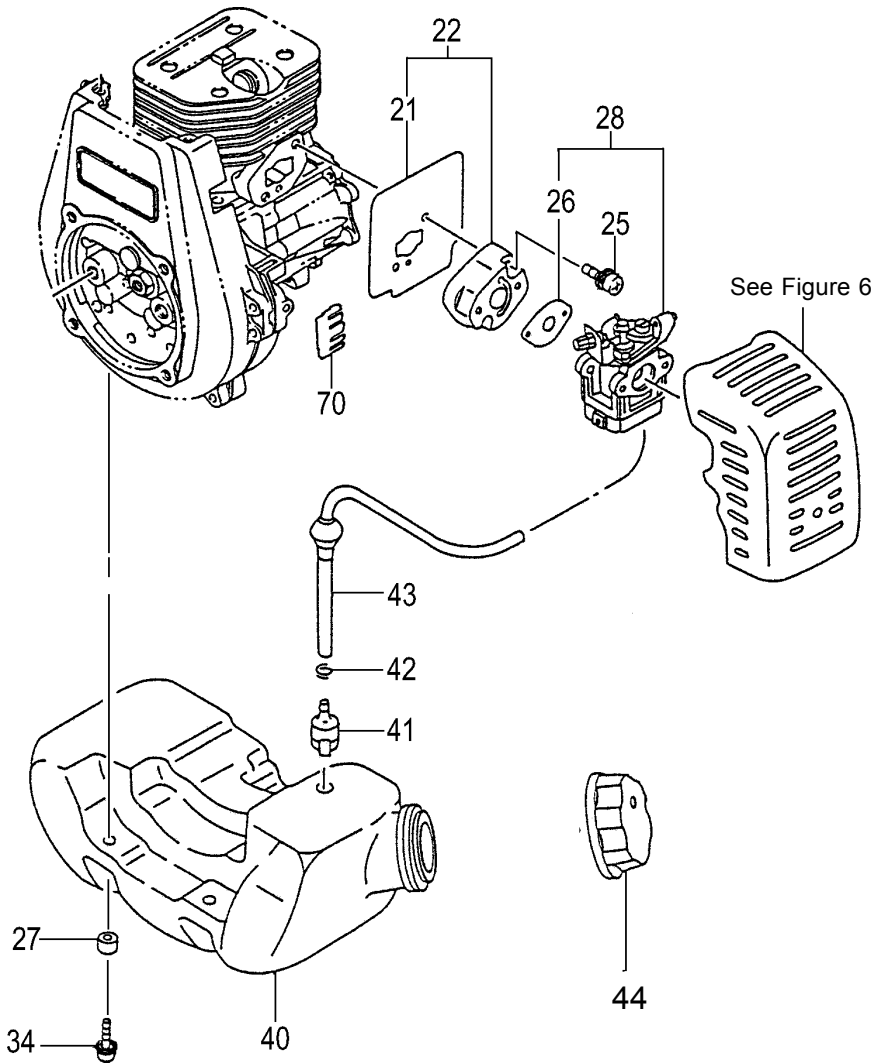


ITEM	PART NUMBER	DESCRIPTION	QTY	COMMENTS
1-1	1570097A900	CAP, SPARK PLUG, ASS'Y	1	
1-2	01802233200	PLUG, SPARK	1	
1-4	0010143C90	CYLINDER SET	1	Includes gasket
1-5	99461050184	BOLT, HEX, 5X18, S	4	
1-7	01701380200	GASKET, CYLINDER	1	
1-8	04104000200	RING, PISTON	2	
1-9	0300143C90	PISTON SET	1	Includes rings & circlips
1-10	03701400200	PIN, PISTON	1	
1-11	03900000201	CIRCLIP, PISTON PIN	2	
1-15	0460135082	CRANKSHAFT	1	
1-16	99962091325	BEARING, NEEDLE, F-910	1	
1-17	06810100200	KEY, WOODRUFF, 3X13X4.5	1	

### CRANKCASE, FLYWHEEL, STARTER PULLEY • FIGURE 2



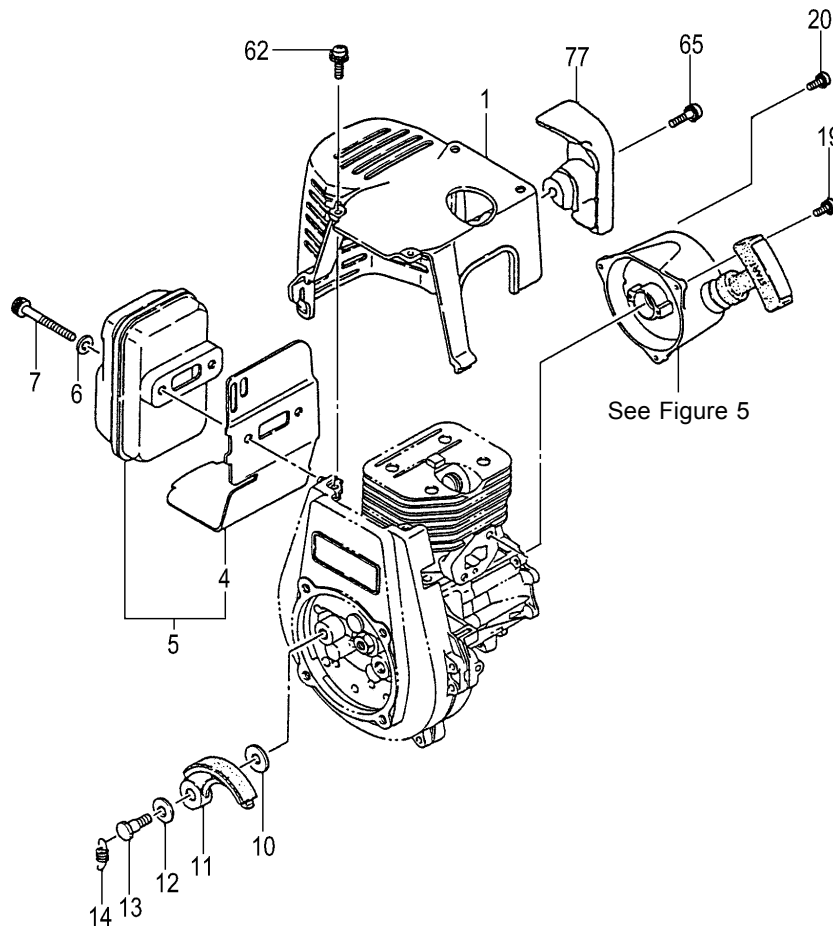
ITEM	PART NUMBER	DESCRIPTION	QTY	COMMENTS
2-18	07102007200	SHIM, 15.2X20X.05	1	
2-18	07102007210	SHIM, 15.2X20X.10	1	
2-18	07102007220	SHIM, 15.2X20X.15	1	
2-18	07102007230	SHIM, 0.20	1	
2-18	07111600240	SHIM, 0.30	1	
2-21	0720138A90	CRANKCASE, ASS'Y	1	
2-22	99961600200	BEARING, BALL, #6002	1	
2-23	99961620200	BEARING, BALL, #6202	1	
2-24	99966122206	SEAL, OIL, #TC12227	1	
2-25	99966152511	SEAL, OIL, #VE15X25X7	1	
2-26	09001380200	GASKET, CRANKCASE	1	
2-28	99414050251	SCREW, 5X25	4	
2-35	35910112203	WASHER, CLUTCH B	1	
2-36	7980166R90	PULLEY, STARTER, ASS'Y	1	
2-38	7900162V200	SPRING, PAWL, STARTER	1	
2-39	7880138A20	PAWL, STARTER	1	
2-41	1672196080	COIL, IGNITION	1	
2-44	99416040226	SCREW, WS, 4X22	2	
2-45	1120136022	CASE, FAN (ORANGE)	1	
2-45	11201442200	CASE, FAN (POLISHED)	1	
2-47	99414050181	SCREW, S, 5X18	4	
2-48	13201300200	PAN, FLASH	1	
2-49	2030604A202	GROMMET	1	
2-55	1552173380	ROTOR, MAGNETO	1	
2-56	99201080011	WASHER, 8	1	
2-57	99101080011	NUT, 8	1	
2-65	2740137G800	CORD, EARTH 150	1	



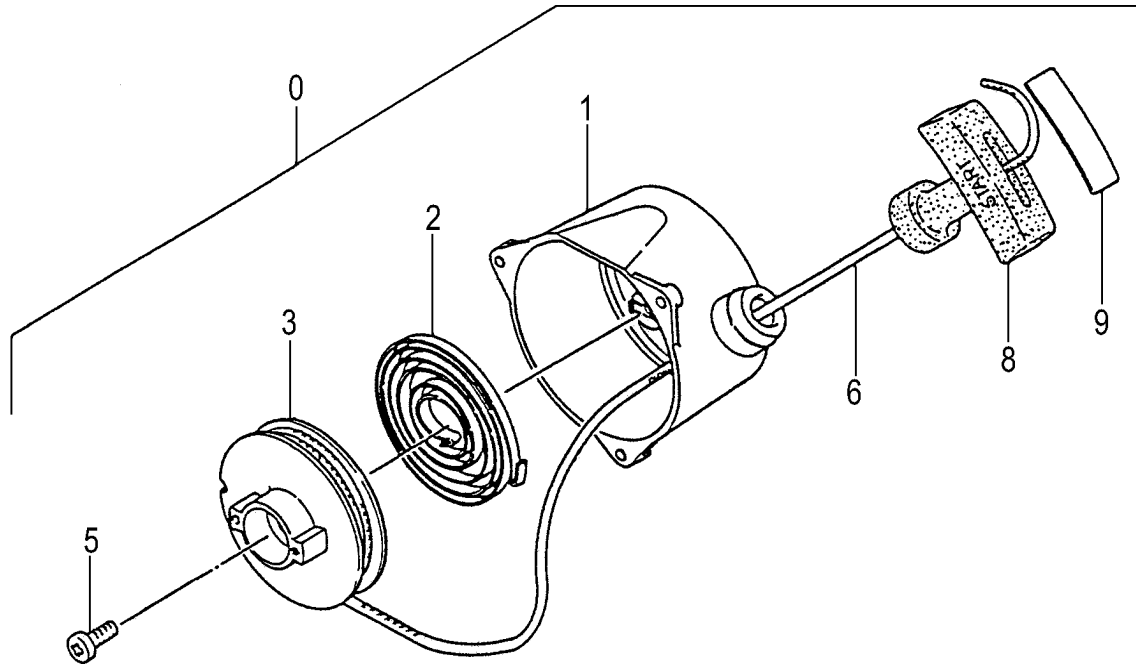
### MOBY 35 Billet Gas Caps

Part#: Red - 31263  
Black - 31264 / Polished - 31266

ITEM	PART NUMBER	DESCRIPTION	QTY	COMMENTS
3-21	4030143C21	GASKET,INLET MANIFOLD	1	
3-22	4040143C90	INSULATOR SET	1	
3-25	99416050221	SCREW,5X22/WS	2	
3-26	4020602K21	GASKET,CARBURETOR	1	
3-27	65900801200	COLLAR	3	
3-28	4550143C90	CARBURETOR SET	1	
3-34	99415050185	SCREW,5X18	3	
3-40	5910138A20	TANK,FUEL (ORANGE)	1	
3-40	5910130A20	TANK,FUEL (WHITE)	1	
3-41	67501630900	FILTER,FUEL	1	
3-42	68000731201	CLIP 6.3	1	
3-43	2230622U900	PIPE,FUEL,ASS'Y	1	
3-44	5950138090	CAP,TANK ASSY, (ORANGE)	1	
3-44	5950144D90	CAP,TANK ASSY, (BLACK)	1	
3-70	0910130020	PARTITION	1	
3-76	62632810200	CHAIN,TANK CAP	1	



ITEM	PART NUMBER	DESCRIPTION	QTY	COMMENTS
4-14	30821	NUT, M8xP1.25	4	
4-61	30830	WASHER, SPRING M6	4	
4-68	30827	SPACER, T-789	1	
4-69	30823	TIRE, 10"	1	
4-70	30825	HUB, (WELD)	1	
4-77	30826	BOLT, M8xP1.25x15	4	
4-78	30828	SPACER, BRAKE, T-790	4	
4-79	30829	DISC, BRAKE	1	
4-80	30831	BOLT, M6xP1.0x32	4	
4-90	30883	BEARING, 6200-2RS	2	
4-91	30822	HUB, (5 HOLES)	1	
4-102	30911	TUBE, TIRE	1	
N/A	32014	SPRING, POWER PIPE, SHORT	1	Power pipe hardware, not shown
N/A	32015	SPRING, POWER PIPE, LONG	2	Power pipe hardware, not shown
N/A	32016	SPACER, POWER PIPE	2	Power pipe hardware, not shown
N/A	32017	SCREW, POWER PIPE	4	Power pipe hardware, not shown
N/A	32018	WASHER, POWER PIPE	4	Power pipe hardware, not shown

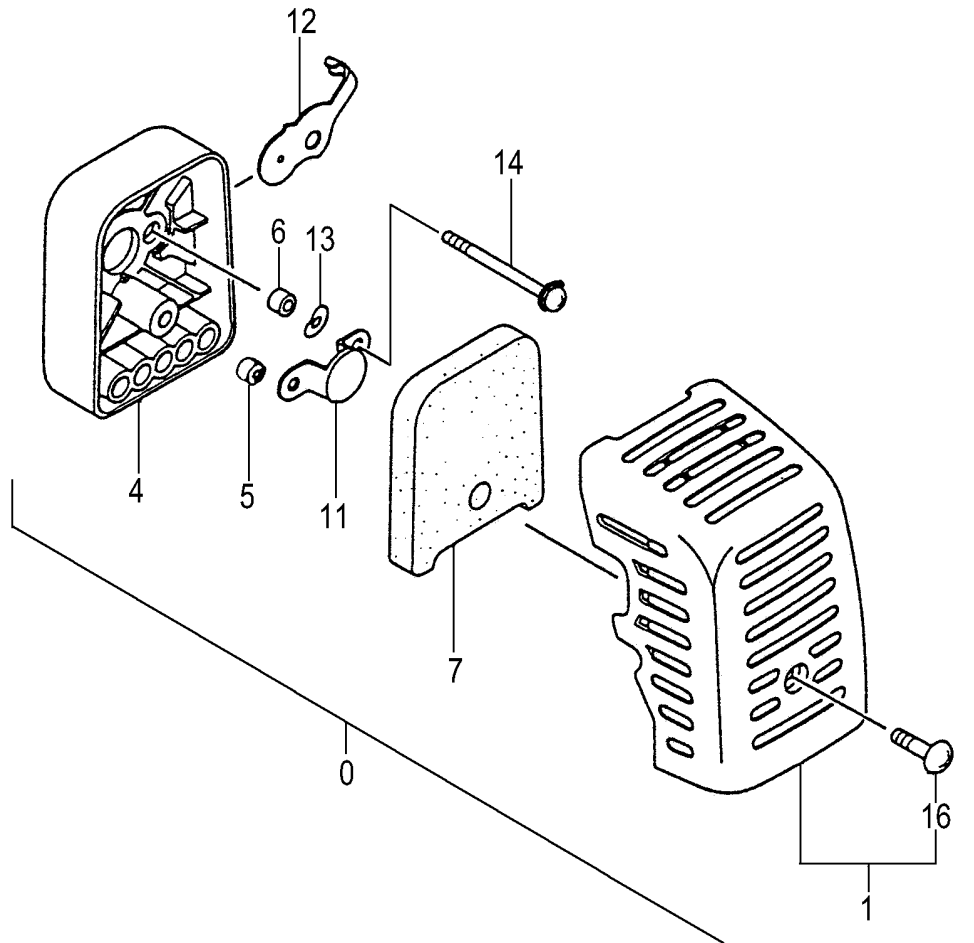


### Billet Starter Handles

Part#: Blue - 31352 / Black - 31358

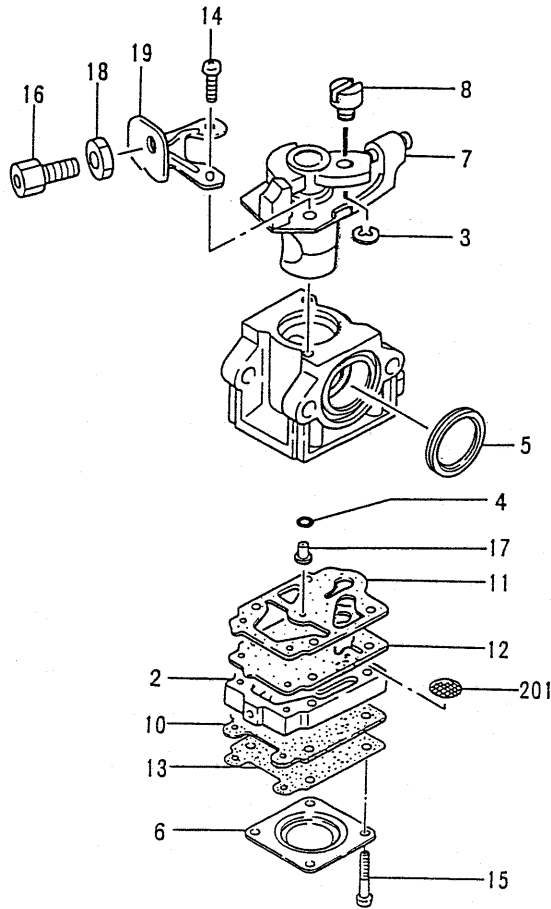
Polished - 31357 / Red - 31356

ITEM	PART NUMBER	DESCRIPTION	QTY	COMMENTS
5-0	7620136U901	STARTER,RECOIL ASS'Y	1	
5-1	7720136U80	BODY,STARTER	1	
5-2	7790136U200	SPRING,RECOIL	1	
5-3	7740162V200	REEL,STARTER ROPE	1	
5-5	8390201020	SCREW,SET	1	
5-6	7830136U200	ROPE,STARTER	1	
5-8	78501620200	HANDLE,STARTER	1	
5-9	79501620200	SEAL,HANDLE KNOB	1	



ITEM	PART NUMBER	DESCRIPTION	QTY	COMMENTS
6-0	4100138A93	CLEANER ASSY	1	
6-1	4520138091	COVER,CLEANER,ASSY	1	
6-4	4230138082	BODY,CLEANER	1	
6-5	4530637C200	COLLAR	1	
6-6	4700602N200	COLLAR,CLEANER	1	
6-7	4460138020	ELEMENT,CLEANER	1	
6-11	47601700200	BOARD,BLOW OVER CHECK	1	
6-12	5280138021	VALVE,CHOKE	1	
6-13	99204080030	WASHER	1	
6-14	99414050571	SCREW,5X5,S	2	
6-16	3800637C200	BOLT,CLEANER COVER	1	





**35cc HP Carburetor Kit**  
Part#: 31281

ITEM	PART NUMBER	DESCRIPTION	QTY	COMMENTS
	4550143C90	CARBURETOR SET	1	Includes gasket
7-2	5752515280	BODY,PUMP	1	
7-3	48925100200	RING,STOP	1	
7-4	55025100200	O-RING	1	
7-5	4310634C200	GASKET,CLEANER	1	
7-6	47625004200	COVER,DIAPHRAGM	1	
7-7	48825120900	VALVE,THROTTLE	1	
7-8	53925120200	SWIVEL	1	
7-10	~ ~ ~	GASKET,DIAPHRAGM	1	~ Not available individually - order 650.25124.900 Carb Kit
7-11	~ ~ ~	GASKET,PUMP	1	
7-12	~ ~ ~	DIAPHRAGM,PUMP	1	
7-13	~ ~ ~	DIAPHRAGM,METERING	1	
7-14	51425100200	SCREW,THROTTLE SET	2	
7-15	54825101200	SCREW,SET	4	
7-16	61425137200	ADJUSTER,CABLE	1	
7-17	5992000W430	JET,MAIN,#43	1	
7-18	99101060013	NUT,6	1	
7-19	54425120200	STAY,ADJUST,CABLE	1	
7-201	57825007200	SCREEN,INLET	1	

### COMPLETE REPLACEMENT ENGINES • FIGURE 8

These are complete engines including the carburetor, fuel tank, clutch, etc. and are ready to be bolted on.  
 NOTE: Engine upgrades require a different mounting ring. Installing a PF-4000 in place of a TC-355 requires Mounting Ring #30959. Conversely, mounting a TC-355 in place of a PF-4000 requires mounting ring #30843.

TC-355 Specifications	
Cylinder Plating	Chrome
Piston Rings	2
Displacement (cc)	34
Horsepower	1.8
Bore x Stroke (mm)	38 x 30
Compression ratio	6.4:1
Maximum hp	1.6 @ 8000 rpm
Maximum kw	1.14 @ 8000 rpm
Maximum torque - kg-m (ft. lbs)	0.164 (1.2) @ 6000 rpm
Maximum RPM	11000
Idling RPM	3000 +/- 200
Starting System	Recoil
Rotation (recoil side)	Clockwise
Fuel capacity - cc (fl. oz)	900 (30)
Fuel consumption - g/hp.hr (g/kw.hr)	437 (594)
Carburetor	WYJ-112, Walbro
Clutch Diameter	76 mm
Spark Plug	CJ7 (Champion) / BM7A (NGK)
Ignition System	TCI
Spark Plug Electrode Gap	0.024
Second Coil Resistance	4.2 K
Coil Air Gap	.014 / .016
Engine Dimensions - LxWxH (mm)	176 x 243 x 247
Engine Weight - kg (lbs)	3.45 (7.6)
Mounting Ring	30843

PF-4000 Specifications	
Cylinder Plating	Chrome
Piston Rings	2
Displacement (cc)	39.8
Horsepower	1.8
Bore x Stroke (mm)	39.8 x 32
Compression ratio	7.2:1
Maximum hp	1.8 @ 7500 rpm
Maximum kw	1.14 @ 8000 rpm
Maximum torque - kg-m (ft. lbs)	0.21 (1.5) @ 5500 rpm
Maximum RPM	11000
Idling RPM	3000 +/- 200
Starting System	Recoil
Rotation (recoil side)	Clockwise
Fuel capacity - cc (fl. oz)	1000 (33.8)
Fuel consumption - g/hp.hr (g/kw.hr)	345 (469)
Carburetor	WYJ-224, Walbro
Clutch Diameter	76 mm
Spark Plug	CJ7 (Champion) / BM7A (NGK)
Ignition System	TCI
Spark Plug Electrode Gap	0.024
Second Coil Resistance	5.8 K
Coil Air Gap	.014 / .016
Engine Dimensions - LxWxH (mm)	170 x 260 x 270
Engine Weight - kg (lbs)	3.9 (8.6)
Mounting Ring	30959