

Diy Chain Saw - 0 603 227 139 - PKE 35 B

www.powertools-aftersaleservice.com



BOSCH

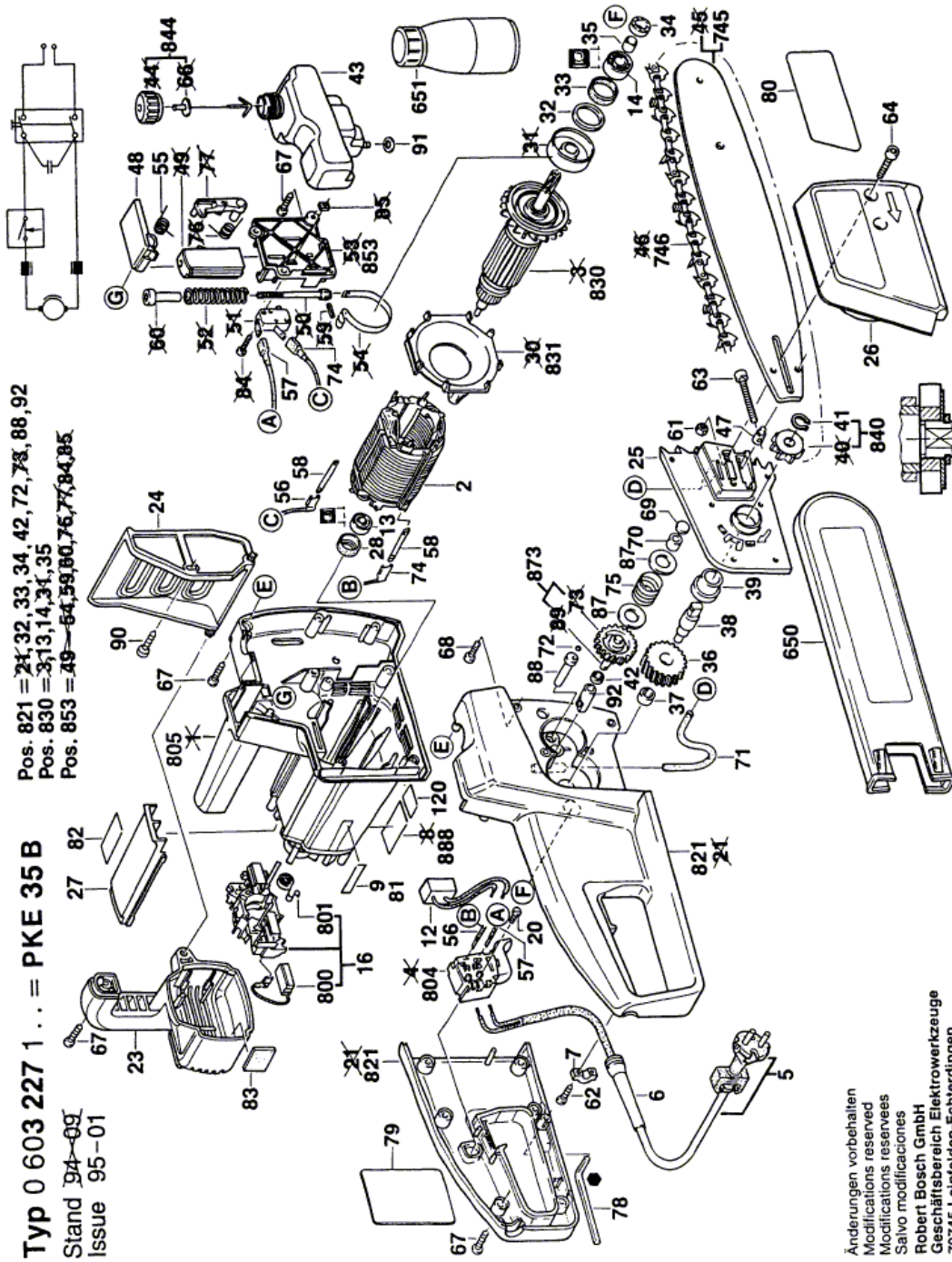
Item	Part Number	Description	Illustration	Price	Quantity	Price Group
2	1 604 220 355	Field 110-120V	1	-,-	1	33
5	3 604 460 017	Power supply cord USA/CDN 0,475m 2 x 2,08mm SJ 14/2	1	-,-	1	30
6	2 600 703 011	Grommet Ø8,3-Ø9,4x95 MM	1	-,-	1	13
7	1 601 302 001	Fastening Clamp	1	-,-	1	11
9	1 601 110 483	Manufacturer's nameplate	1	-,-	1	13
13	2 600 905 032	Deep-Groove Ball Bearing 7x19x6	1	-,-	1	17
14	1 900 905 025	Deep-Groove Ball Bearing 9x26x8	1	-,-	1	29
16	3 604 336 001	Brush Holder	1	-,-	1	28
20	2 603 410 001	Socket head cap screw M3x6,5-4.8	1	-,-	2	11
23	3 605 500 084	Sealing cap BLACK	1	-,-	1	21
24	3 602 311 018	Protective Shield	1	-,-	1	23
25	3 605 500 082	Gear Cover	1	-,-	1	29
26	3 605 500 037	Protective Cover	1	-,-	1	24
27	3 601 012 000	Cover Strip	1	-,-	1	14
28	1 600 502 011	Intermediate Ring	1	-,-	1	11
32	3 600 190 007	Conical Spring Washer	1	-,-	1	11
33	1 600 206 026	Intermediate Ring	1	-,-	1	11
34	1 600 290 016	Rotary shaft lip seal	1	-,-	1	12
35	1 600 300 090	Intermediate Ring	1	-,-	1	14
36	3 606 317 021	Cylindrical Gear Z=41	1	-,-	1	27
37	1 600 910 018	Needle bearing Ø8xØ12x8 MM	1	-,-	1	16
38	3 603 124 011	Drive Shaft	1	-,-	1	23
39	1 900 322 047	Sintered-Metal Bushing L16G7x22R6x16DIN1850	1	-,-	1	16
41	2 916 650 003	Spring retaining ring DIN 471-12x1-FSt	1	-,-	1	10
42	1 600 283 003	Rotary shaft lip seal	1	-,-	1	16
43	3 607 030 320	Oil Reservoir	1	-,-	1	22
47	3 603 121 004	Stud bolt	1	-,-	1	11
48	3 601 990 001	Swivelling Lever	1	-,-	1	11
55	3 604 651 002	Coiled Spring	1	-,-	1	11
56	3 604 431 014	Pvc-Insulated Cable	1	-,-	1	-
57	3 604 431 012	Connecting Cable L=180 MM WHITE	1	-,-	1	13
58	1 604 477 005	Blade terminal	1	-,-	2	11

Item	Part Number	Description	Illustration	Price	Quantity	Price Group
61	2 915 011 007	Hex Nut DIN 934-M6-8-A	1	-,-	2	10
62	2 910 611 019	Tapping Screw DIN 7981-ST3,9x16-C-H	1	-,-	2	13
63	3 603 410 001	Socket head cap screw	1	-,-	1	11
64	2 910 141 203	Hex Socket Head Cap Screw DIN 912-M6x25-8.8	1	-,-	2	11
67	2 910 211 220	Tapping Screw DIN 7971-B 3,9x19	1	-,-	20	11
68	2 914 411 403	Thread-forming tap. Screw DIN 7500-CM 5x12-ST	1	-,-	6	10
69	3 600 000 006	Cover Plate	1	-,-	1	11
70	1 900 301 010	Sintered-Metal Bushing J8G7x12r6x6DIN1850	1	-,-	2	11
71	3 600 703 001	Hose	1	-,-	1	11
72	1 903 230 007	Ball DIN 5401-4 MM-III-ST	1	-,-	1	10
74	3 604 431 013	Connecting Cable L=260 MM WHITE	1	-,-	1	13
75	3 604 630 000	Compression Spring	1	-,-	1	11
78	1 907 950 006	Offset Screwdriver DIN 911-SW5 BLACK	1	-,-	1	15
79	3 601 119 019	Reference Plate CAUTION	1	-,-	1	-
80	3 601 119 021	Reference Plate SUNNY SIDE	1	-,-	1	-
81	1 601 110 128	Sticker DOUBLE INSULATION	1	-,-	1	-
82	1 601 110 058	Reference Plate DOUBLE INSULATION	1	-,-	1	11
83	1 601 008 004	Insulating Plate	1	-,-	2	-
87	1 600 101 023	Plain Washer 0,5 MM THICK	1	-,-	2	11
88	3 603 121 003	Detent Pin	1	-,-	1	11
90	2 914 552 107	Microencapsulated Screw DIN 84-AM4x12-8.8	1	-,-	1	11
90	2 910 211 006	Tapping Screw DIN 7971-BZ2,9x13	1	-,-	1	10
91	3 607 030 320	Oil Reservoir	1	-,-	1	22
650	3 605 500 038	Protective Cover BLACK	1	-,-	1	22
745	3 602 317 035	Guide Rail 350 MM	1	-,-	1	35
746	3 604 730 003	Saw Chain 350 MM	1	-,-	1	31
800	1 607 014 129	Carbon-Brush Set	1	-,-	1	26
801	2 604 652 008	Spiral Spring	1	-,-	1	11
804	1 607 200 107	On-Off Switch	1	-,-	1	24
805	3 605 108 137	Motor Housing GREEN	1	-,-	1	35
821	3 605 190 163	Housing Section GREEN	1	-,-	1	40
830	3 604 010 039	Armature 115V	1	-,-	1	48
831	3 600 591 002	Air-Deflector Ring	1	-,-	1	17
840	3 607 031 199	Sprocket wheel	1	-,-	1	21
844	3 607 030 320	Oil Reservoir	1	-,-	1	22
853	3 607 031 182	Braking Device	1	-,-	1	37
873	3 606 317 031	Spindle With Gear Z=38	1	-,-	1	21
888	1 601 106 032	Nameplate 26x52 MM	1	-,-	1	13

Product information Diy Chain Saw - 0 603 227 139 - PKE 35 B

Product No	0 603 227 139
Description	181.811; Diy Chain Saw
DIN-Text	
ID_Text_Ext	0
Trading_Description	PKE 35 B
Voltage_1	115 V
ID_Country_Product	USA

Illustration - Type E



Anderungen vorbehalten
 Modifications reserved
 Modificaciones reservadas
 Salvo modificaciones
 Robert Bosch GmbH
 Geschäftsbereich Elektrowerkzeuge
 70745 Leinfelden-Echterdingen

Information subject to change without further notice.