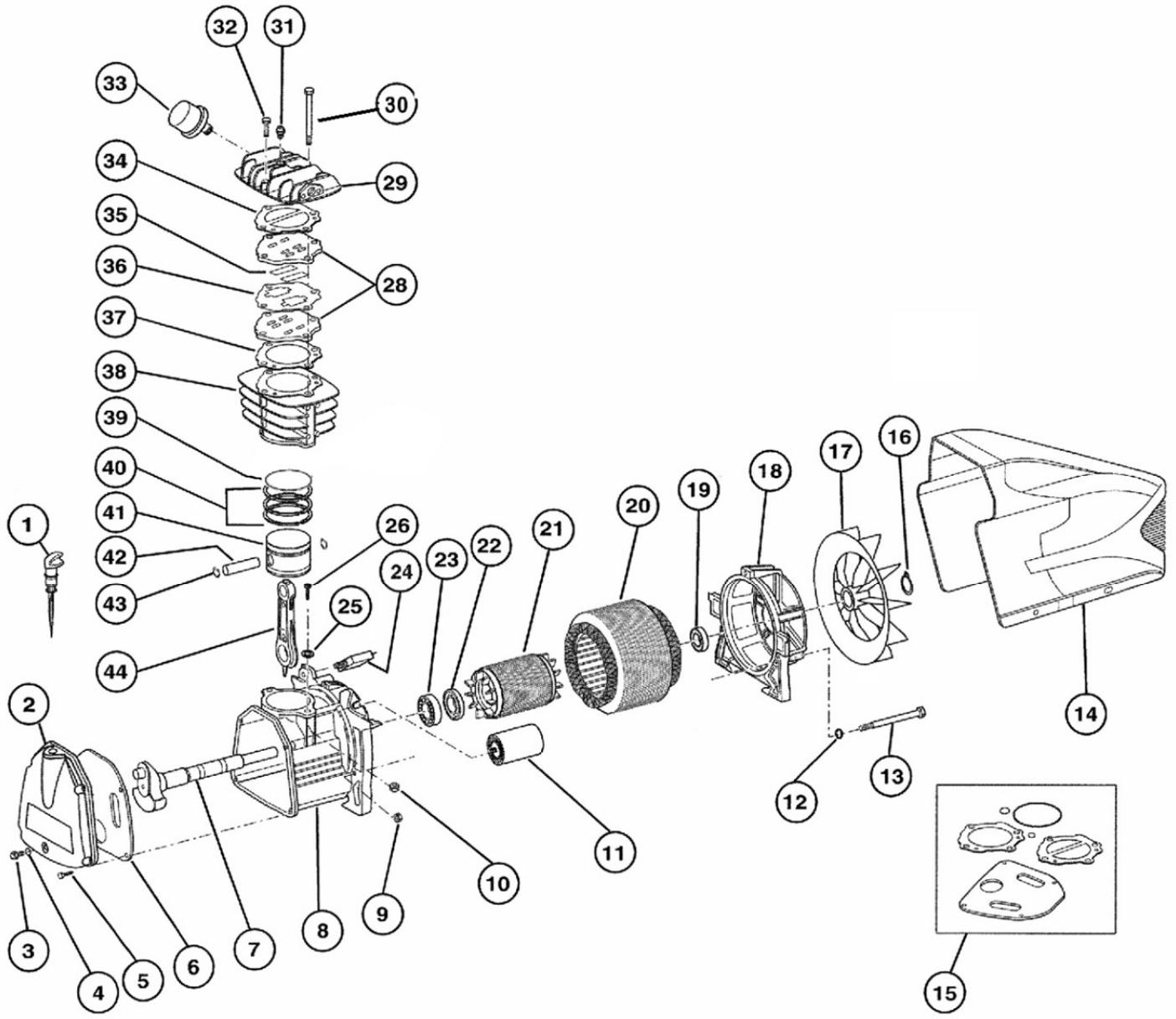
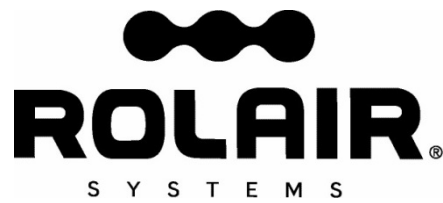


ROLAIR
SCHEMATIC FOR
PMP11MK137FC





PARTS LIST FOR PMP11MK137FC

Schematic #	Description	Part #	Qty.
1	Dipstick	FC312043000	1
2	Crankcase Cover	FC016120003	1
3	Drain Bolt	FC014013024	1
4	O-Ring	FC010072000	1
5	Screw	FC014006024	4
6	Diaphragm	FC116120030	1
7	Crankshaft	FC116CN0017	1
8	Crankcase	FC116120006	1
9	Nut	FC161190010	3
10	Nut	FC014003018	2
11	Capacitor	FC009200026	1
12	Lock Washer	FC014008020	3
13	Bolt	FC014002125	3
14	Shroud	FC116CN0014	1
15	Gasket Set	FC216CP0001	1
16	C-Clip	FC015083000	1
17	Fan	FC116120008	1
18	End Bell	FC116120007	1
19	Bearing	FC033005000	1
20	Stator	FC316CP1641	1
21	Rotor	FC116022026	1
22	Seal	FC010132000	1
23	Bearing	FC033082000	1
24	Manual Reset Button	FC008426000	1
25	Lock Washer	FC014008006	1
26	Screw	FC014013001	1
28	Valve Plate	FC116CN0030	2
29	Head	FC116CN0013	1
30	Bolt	FC014001075	2
31	Bleeder Valve	FC011000183	1
32	Bolt	FC014002026	2
33	Intake Filter Assembly	FC317081000	1
34	Gasket	FC116CN0050	1
35	Reed Valve	FC116022038	2
36	Gasket	FC116CN0051	1
37	Gasket	FC116HT0005	3
38	Cylinder	FC116CN0015	1
39	O-Ring	FC010133000	1
40	Ring Set	FC216022003	1
41	Piston	FC116022004	1
42	Piston Pin	FC116022040	1
43	Snap Ring	FC015001000	2
44	Connecting Rod	FC116121005	1

