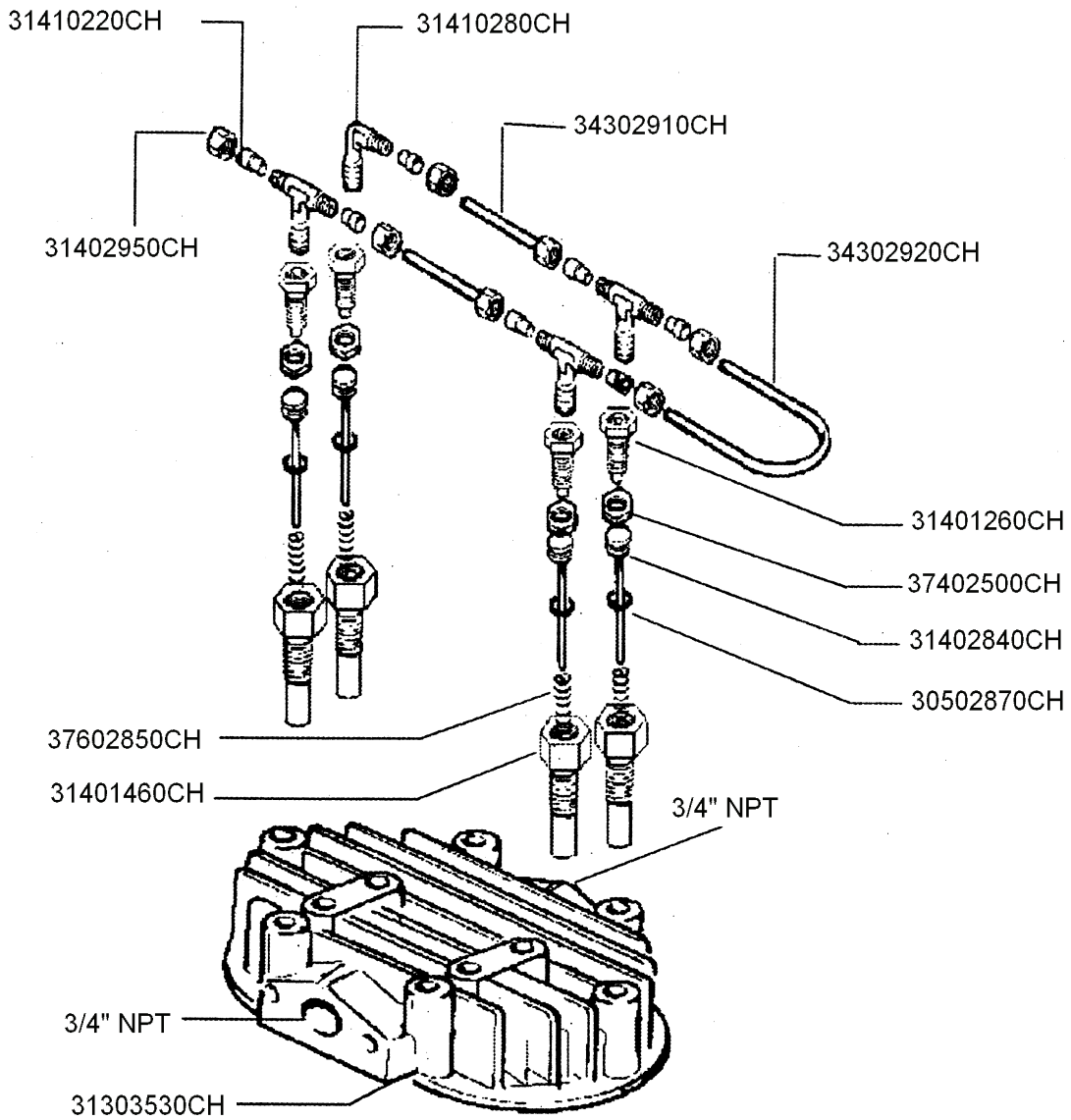
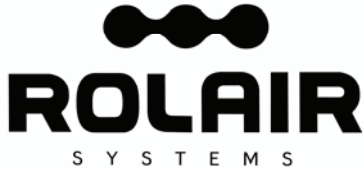

ROLAIR
SCHEMATIC FOR
PMP12K35HU





PARTS LIST FOR PMP12K35HU

Description	Part #	Qty.
O-Ring	30502870CH	4
Cylinder Head	31303530CH	1
Reducer Sleeve	31401260CH	4
Reducer Sleeve	31401460CH	4
Unloading Piston	31402840CH	4
Compression Nut	31402950CH	7
T-Connector w/Fittings	31410220CH	3
L-Connector w/Fittings	31410280CH	1
Pipe Connector	34302910CH	2
Pipe Connector	34302920CH	1
Nut	37402500CH	4
Spring	37602850CH	4
OPTIONAL: Complete Head Assembly with Unloader Parts Installed	31449360CH	1

Reference PMP12K35 schematic for all other components.