

Router - 3 601 F0A 810 - PR 011

www.powertools-aftersaleservice.com



BOSCH

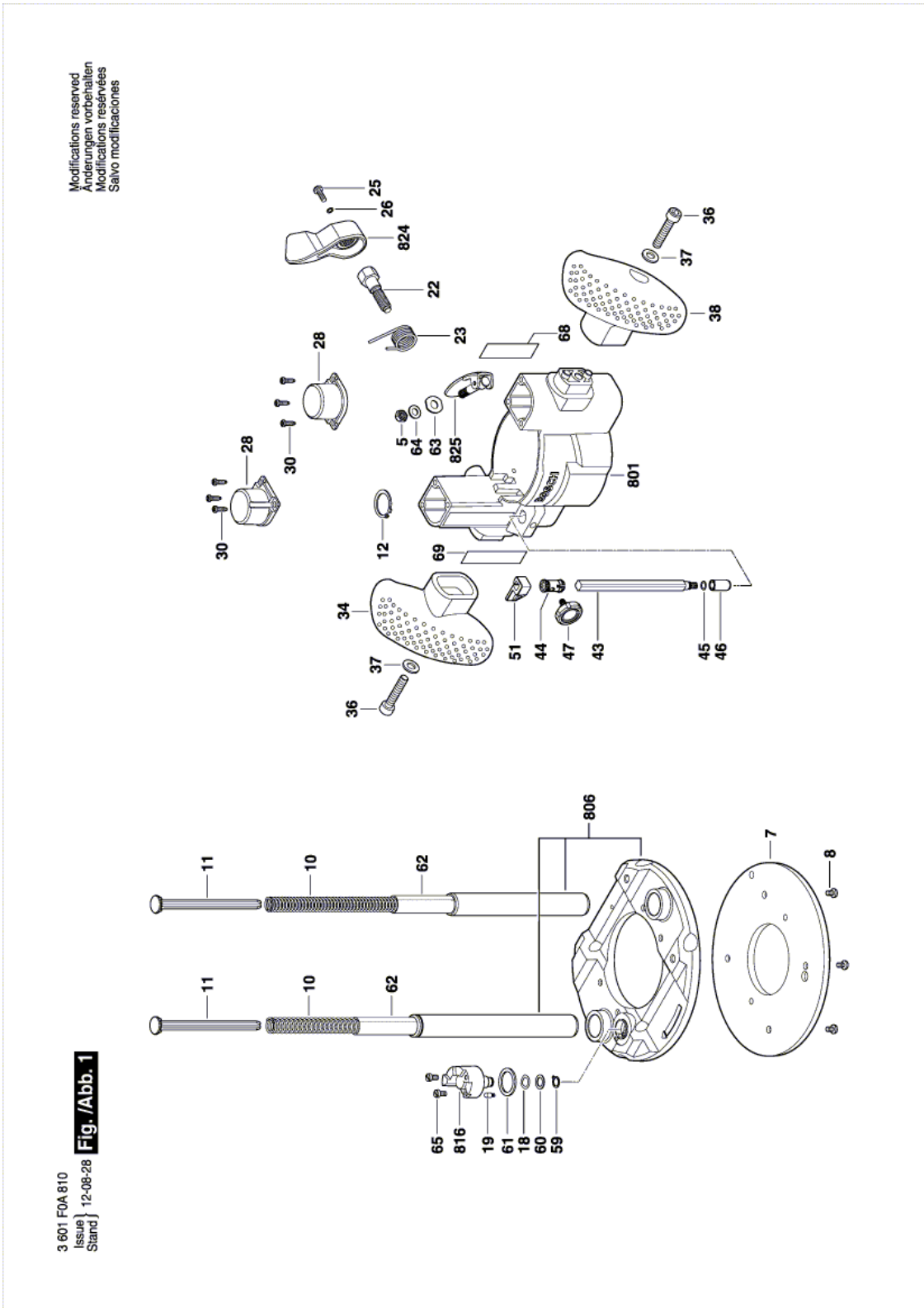
| Item | Part Number | Description | Illustration | Price | Quantity | Price Group |
|------|---------------|---|--------------|-------|----------|-------------|
| 5 | 2 609 110 289 | Hex Nut | 1 | -,- | 1 | 10 |
| 7 | 2 610 021 520 | Base Plate | 1 | -,- | 1 | - |
| 8 | 2 610 917 210 | Screw | 1 | -,- | 4 | 10 |
| 10 | 2 610 021 524 | Compression Spring | 1 | -,- | 2 | - |
| 11 | 2 610 021 525 | Spring Rod | 1 | -,- | 2 | - |
| 12 | 2 610 021 529 | Retaining ring | 1 | -,- | 1 | - |
| 18 | 2 610 001 602 | Washer | 1 | -,- | 1 | 10 |
| 19 | 2 600 590 006 | Ratchet Cap | 1 | -,- | 1 | 11 |
| 22 | 2 610 021 528 | Clamp Screw | 1 | -,- | 1 | - |
| 23 | 2 610 001 604 | Spring | 1 | -,- | 1 | 13 |
| 25 | 2 910 641 122 | Oval-Head Screw DIN 7985-M4X12-4.8-H | 1 | -,- | 1 | 13 |
| 26 | 2 916 680 005 | Spring Lock Washer B 4 DIN 127 | 1 | -,- | 1 | 10 |
| 28 | 2 610 021 523 | Spring Cap | 1 | -,- | 2 | - |
| 30 | 2 610 005 997 | Screw | 1 | -,- | 6 | 10 |
| 34 | 2 610 021 530 | Handle | 1 | -,- | 1 | - |
| 36 | 2 910 141 205 | Hex Socket Head Cap Screw DIN 912-M6x30-8.8 | 1 | -,- | 2 | 13 |
| 37 | 2 916 011 014 | Plain Washer DIN 125-A 6,4-ST | 1 | -,- | 2 | 10 |
| 38 | 2 610 021 527 | Handle | 1 | -,- | 1 | - |
| 43 | 2 610 021 521 | Stop Bar | 1 | -,- | 1 | - |
| 44 | 2 610 956 414 | Sleeve | 1 | -,- | 1 | 10 |
| 45 | 2 610 021 531 | O-Ring | 1 | -,- | 1 | - |
| 46 | 2 610 021 532 | Adjuster Nut | 1 | -,- | 1 | - |
| 47 | 2 610 956 415 | Screw | 1 | -,- | 1 | 10 |
| 51 | 2 610 956 416 | Indicator | 1 | -,- | 1 | 10 |
| 59 | 2 610 003 062 | Retaining snap ring | 1 | -,- | 1 | 10 |
| 60 | 2 610 003 063 | Washer | 1 | -,- | 1 | 10 |
| 61 | 2 610 003 064 | Washer | 1 | -,- | 1 | 10 |
| 62 | 2 610 021 533 | Spring Guide Sleeve | 1 | -,- | 2 | - |
| 63 | 2 610 023 209 | Wear Plate | 1 | -,- | 1 | - |
| 64 | 2 609 110 290 | Washer | 1 | -,- | 1 | 10 |
| 65 | 2 610 005 516 | Screw | 1 | -,- | 2 | 10 |
| 68 | 2 610 022 582 | Warning Plate | 1 | -,- | 1 | - |
| 69 | 2 610 022 583 | Label | 1 | -,- | 1 | - |

| Item | Part Number | Description | Illustration | Price | Quantity | Price Group |
|------|---------------|------------------|--------------|-------|----------|-------------|
| 801 | 2 610 022 607 | Motor Carrier | 1 | -,- | 1 | - |
| 806 | 2 610 022 608 | Base | 1 | -,- | 1 | - |
| 816 | 2 610 003 970 | Base | 1 | -,- | 1 | 40 |
| 824 | 2 610 003 973 | Lever | 1 | -,- | 1 | 15 |
| 825 | 2 610 022 609 | locking assembly | 1 | -,- | 1 | - |

Product information Router - 3 601 F0A 810 - PR 011

| | |
|---------------------|-----------------|
| Product No | 3 601 F0A 810 |
| Description | 159.735; Router |
| DIN-Text | |
| ID_Text_Ext | 0 |
| Trading_Description | PR 011 |
| Voltage_1 | 0 V |
| ID_Country_Product | USA |

Illustration - Type E



Information subject to change without further notice.