

Cordless Angle Drill - 3 601 C90 910 - PS11

www.powertools-aftersaleservice.com



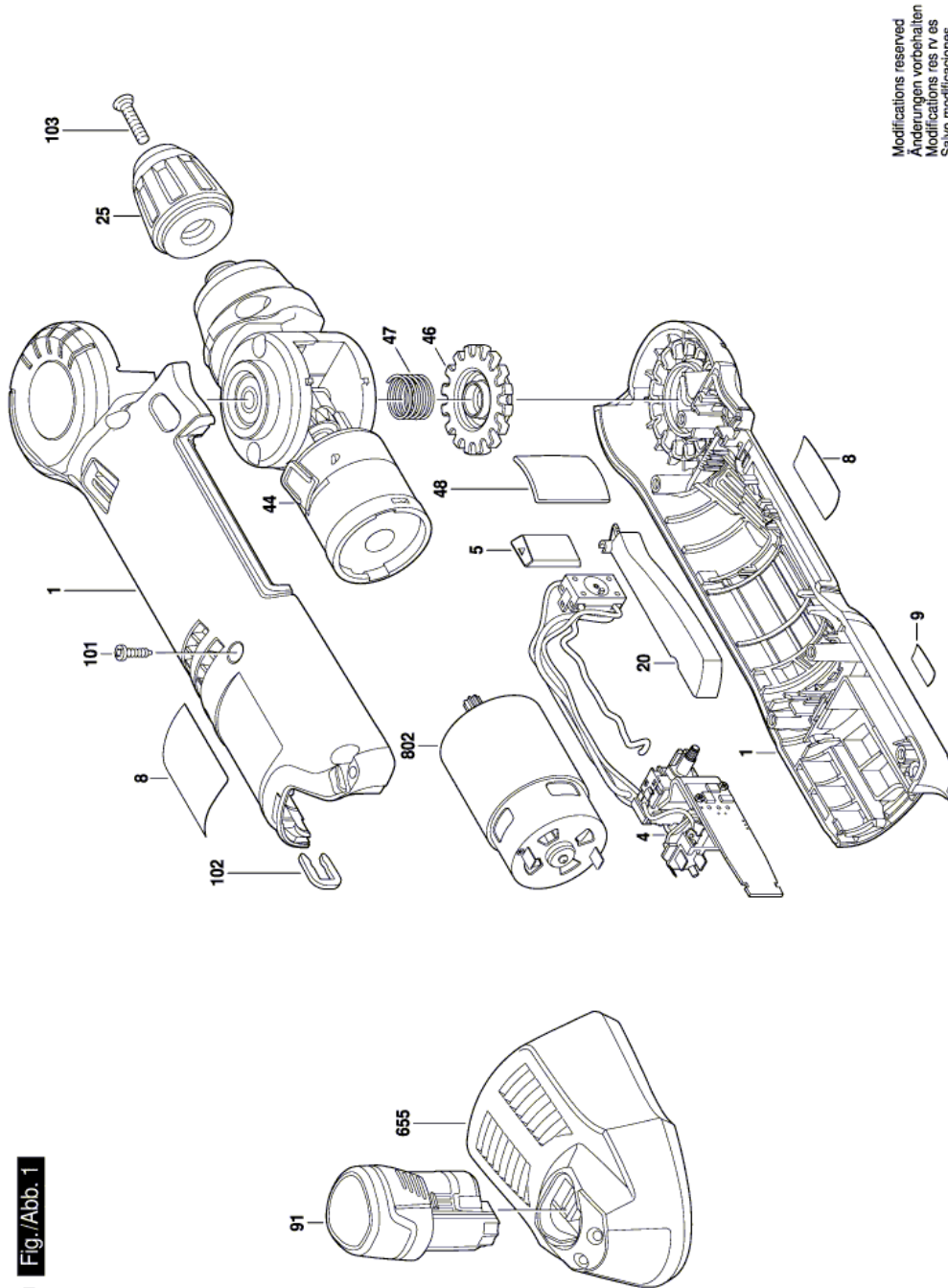
BOSCH

Item	Part Number	Description	Illustration	Price	Quantity	Price Group
1	2 610 015 844	Housing	1	-,-	1	31
4	1 607 233 446	Electronics Module	1	-,-	1	43
5	2 610 011 033	Button	1	-,-	1	11
8	2 610 014 402	Label	1	-,-	1	-
9	2 610 013 689	Sticker	1	-,-	1	13
20	2 610 011 034	Trigger	1	-,-	1	15
25	2 609 110 967	Keyless Chuck	1	-,-	1	33
44	2 610 015 446	Gear Box	1	-,-	1	46
46	2 609 100 454	Coupling Plate	1	-,-	1	20
47	2 609 110 534	Spring	1	-,-	1	11
48	2 609 100 457	Cover	1	-,-	1	11
101	2 609 110 538	Screw	1	-,-	5	10
102	2 609 110 537	Clip	1	-,-	1	11
103	2 603 421 229	Countersunk-Head Screw M6x23	1	-,-	1	11
655	2 607 225 139	Fast Charger USA/CAN 120/10,8-12V/30 MIN.	1	-,-	1	40
802	2 610 018 891	Motor Spare Parts Set	1	-,-	1	30

Product information Cordless Angle Drill - 3 601 C90 910 - PS11

Product No	3 601 C90 910
Description	236.713; Cordless Angle Drill
DIN-Text	
ID_Text_Ext	0
Trading_Description	PS11
Voltage_1	12 V
ID_Country_Product	USA

Illustration - Type E



Modifications reserved
Änderungen vorbehalten
Modificaciones reservadas
Salvo modificaciones

3 601 C90 910
Issue } 11-06-21
Stand }
Fig./Abb. 1

Information subject to change without further notice.