

Cordless Drill Driver - 3 601 J92 U14 - PS 20

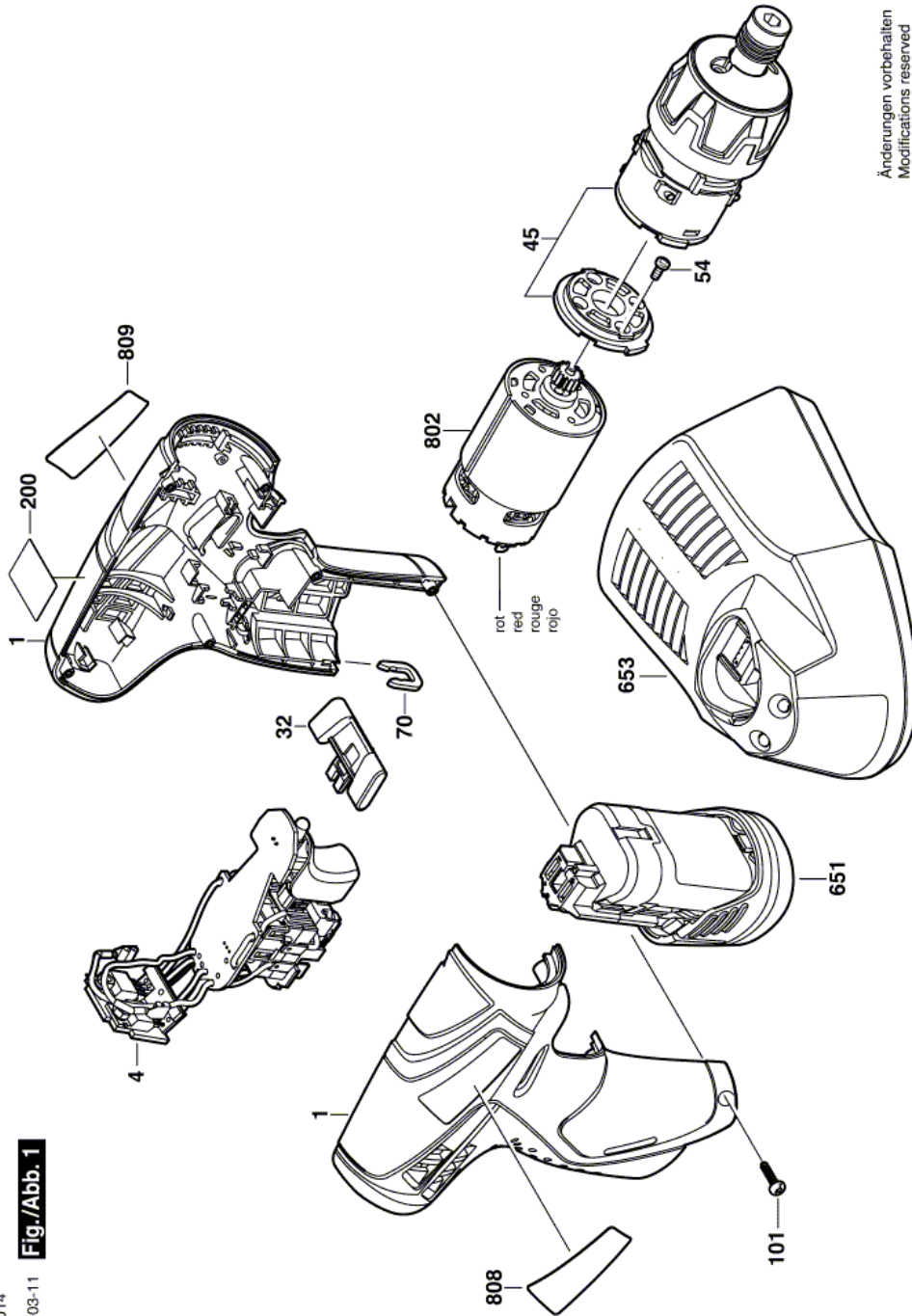
www.powertools-aftersaleservice.com



BOSCH

Item	Part Number	Description	Illustration	Price	Quantity	Price Group
1	2 609 100 564	Housing BLUE	1	-,-	1	28
4	1 607 233 352	Electronic Module	1	-,-	1	39
32	2 601 099 153	Adjusting Slide RED	1	-,-	1	11
45	2 606 200 229	Planetary Gear Train	1	-,-	1	37
54	2 603 414 048	Torx SH cap screw M3x5-8.8-Z	1	-,-	2	11
70	2 609 110 537	Clip	1	-,-	1	11
101	2 603 415 206	Torx Oval-Head Screw	1	-,-	7	10
200	2 601 115 245	Warning Plate USA	1	-,-	1	15
651	2 607 336 015	Battery Pack 10,8V, 1,3Ah, LI	1	-,-	1	41
653	2 607 225 139	Fast Charger USA/CAN 120/10,8-12V/30 MIN.	1	-,-	1	40
802	2 607 022 838	DC motor 10,8V	1	-,-	1	33
808	2 609 131 776	Nameplate	1	-,-	1	13
809	2 609 132 009	Nameplate PS 20	1	-,-	1	13

Illustration - Type E



Änderungen vorbehalten
Modifications reserved
Modificacions reservées
Salvo modificaciones

3 601 J92 U14
Stand } 08-03-11
Issue } **Fig./Abb. 1**

Information subject to change without further notice.