

Cordless Drill Driver - 3 601 H68 110 - PS31

www.powertools-aftersaleservice.com



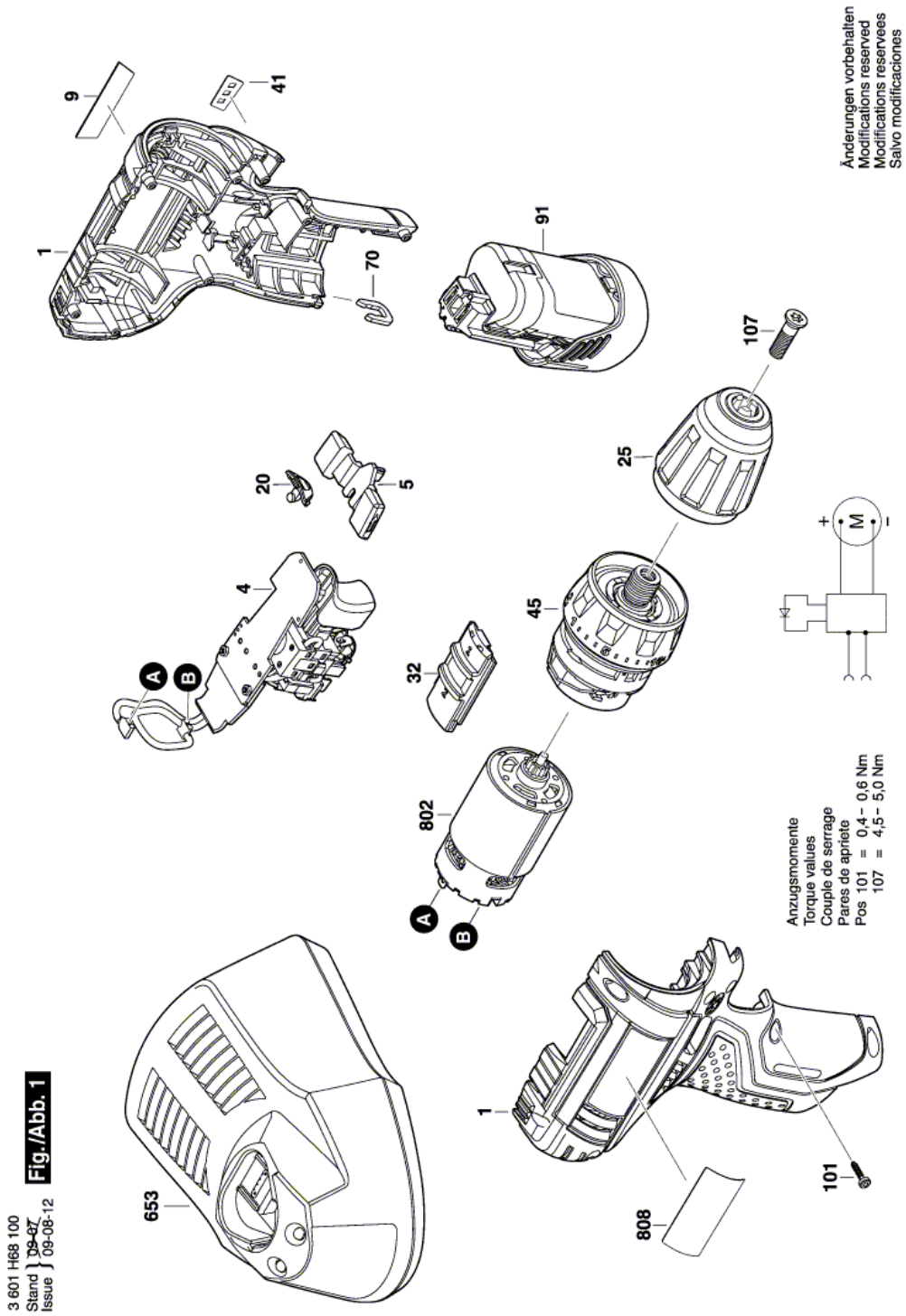
BOSCH

Item	Part Number	Description	Illustration	Price	Quantity	Price Group
1	2 609 100 824	Housing BLUE	1	-,-	1	29
4	1 607 233 377	Electronics Module	1	-,-	1	40
5	2 609 100 825	Changeover Lever	1	-,-	1	10
9	2 609 132 529	Nameplate Lithium-Ion 12V	1	-,-	1	13
20	2 609 100 826	Lens	1	-,-	1	10
25	2 609 110 967	Keyless Chuck	1	-,-	1	33
32	2 609 199 279	Switchover Unit	1	-,-	1	10
41	2 609 132 378	Sticker	1	-,-	1	13
45	2 609 199 786	Gear Box	1	-,-	1	36
70	2 609 110 537	Clip	1	-,-	1	11
91	2 607 336 881	Battery Pack 10,8V, 2,0Ah, LI	1	-,-	1	-
101	2 609 110 883	Screw	1	-,-	8	10
107	2 603 421 229	Countersunk-Head Screw M6x23	1	-,-	1	11
653	2 607 225 139	Fast Charger USA/CAN 120/10,8-12V/30 MIN.	1	-,-	1	40
802	2 609 199 258	DC motor 10,8V	1	-,-	1	35
808	2 609 132 499	Type Label	1	-,-	1	13

Product information Cordless Drill Driver - 3 601 H68 110 - PS31

Product No	3 601 H68 110
Description	251.119; Cordless Drill Driver
DIN-Text	
ID_Text_Ext	0
Trading_Description	PS31
Voltage_1	12 V
ID_Country_Product	USA

Illustration - Type E



Information subject to change without further notice.