

Impact Wrench - 3 601 JA6 910 - PS41

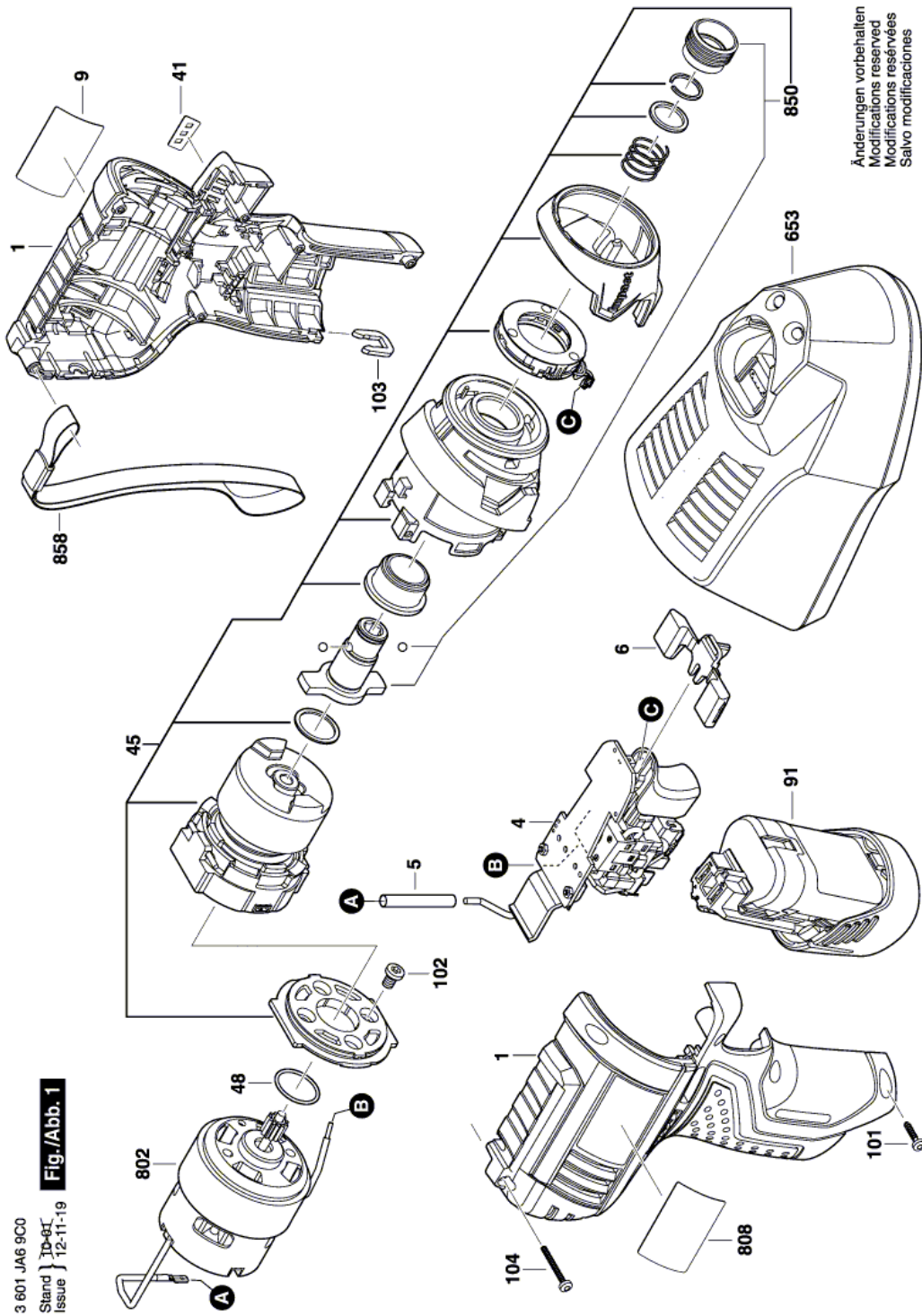
www.powertools-aftersaleservice.com



BOSCH

Item	Part Number	Description	Illustration	Price	Quantity	Price Group
1	2 609 100 816	Housing BLUE	1	-,-	1	27
4	1 607 233 378	Electronics Module	1	-,-	1	39
5	2 609 170 134	Shrinkable Tube	1	-,-	1	10
6	2 609 100 817	Adjusting Slide	1	-,-	1	10
9	2 610 007 734	Manufacturer's nameplate LITHIUM-ION 12V	1	-,-	1	13
41	2 609 132 846	Sticker	1	-,-	1	13
45	2 609 199 241	Gear Box	1	-,-	1	42
48	2 609 170 121	Seal ring	1	-,-	1	10
91	2 607 336 881	Battery Pack 10,8V, 2,0Ah, LI	1	-,-	1	-
101	2 609 110 883	Screw	1	-,-	5	10
102	2 609 110 950	Torx Flat-Head Screw	1	-,-	2	10
103	2 609 110 537	Clip	1	-,-	1	11
104	2 609 110 991	Pan head screw	1	-,-	1	10
653	2 607 225 139	Fast Charger USA/CAN 120/10,8-12V/30 MIN.	1	-,-	1	40
802	2 609 199 281	DC motor 10,8V	1	-,-	1	34
808	2 610 007 736	Nameplate	1	-,-	1	13
850	2 609 199 320	Coupling Half	1	-,-	1	27
858	2 609 170 129	Carrying Loop	1	-,-	1	13

Illustration - Type E



Information subject to change without further notice.