

Impact Wrench - 3 601 JA6 914 - PS41

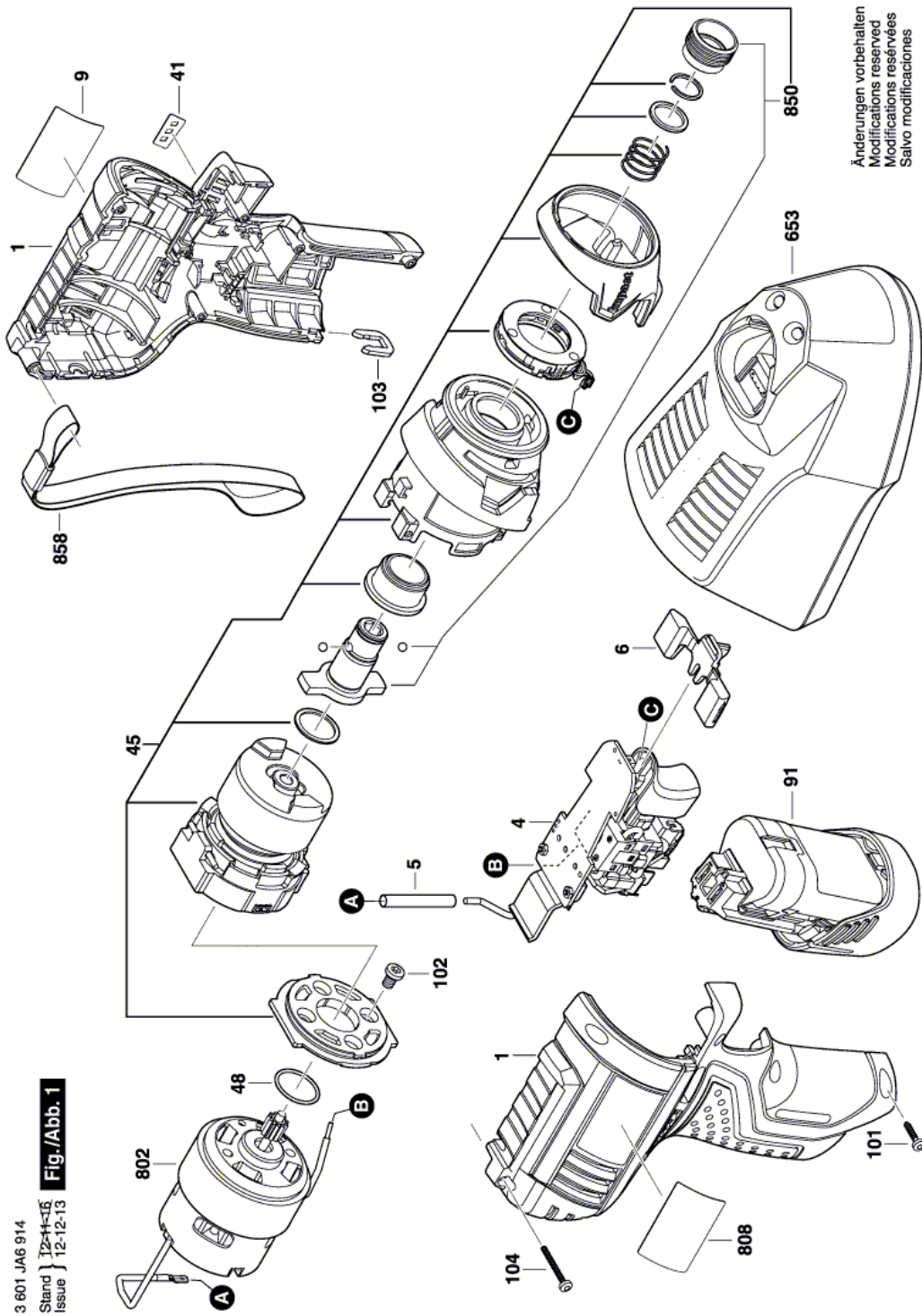
www.powertools-aftersaleservice.com



BOSCH

| Item | Part Number | Description | Illustration | Price | Quantity | Price Group |
|------|---------------|---|--------------|-------|----------|-------------|
| 1 | 2 609 100 816 | Housing BLUE | 1 | -,- | 1 | 27 |
| 4 | 1 607 233 378 | Electronics Module | 1 | -,- | 1 | 39 |
| 5 | 2 609 170 134 | Shrinkable Tube | 1 | -,- | 1 | 10 |
| 6 | 2 609 100 817 | Adjusting Slide | 1 | -,- | 1 | 10 |
| 9 | 2 610 007 734 | Manufacturer's nameplate LITHIUM-ION 12V | 1 | -,- | 1 | 13 |
| 41 | 2 609 132 846 | Sticker | 1 | -,- | 1 | 13 |
| 45 | 2 609 199 241 | Gear Box | 1 | -,- | 1 | 42 |
| 48 | 2 609 170 121 | Seal ring | 1 | -,- | 1 | 10 |
| 91 | 2 607 336 881 | Battery Pack 10,8V, 2,0Ah, LI | 1 | -,- | 1 | - |
| 101 | 2 609 110 883 | Screw | 1 | -,- | 5 | 10 |
| 102 | 2 609 110 950 | Torx Flat-Head Screw | 1 | -,- | 2 | 10 |
| 103 | 2 609 110 537 | Clip | 1 | -,- | 1 | 11 |
| 104 | 2 609 110 991 | Pan head screw | 1 | -,- | 1 | 10 |
| 653 | 2 607 225 139 | Fast Charger USA/CAN 120/10,8-12V/30 MIN. | 1 | -,- | 1 | 40 |
| 802 | 2 609 199 281 | DC motor 10,8V | 1 | -,- | 1 | 34 |
| 808 | 2 610 014 586 | Nameplate | 1 | -,- | 1 | - |
| 850 | 2 609 199 320 | Coupling Half | 1 | -,- | 1 | 27 |
| 858 | 2 609 170 129 | Carrying Loop | 1 | -,- | 1 | 13 |

Illustration - Type E



Information subject to change without further notice.