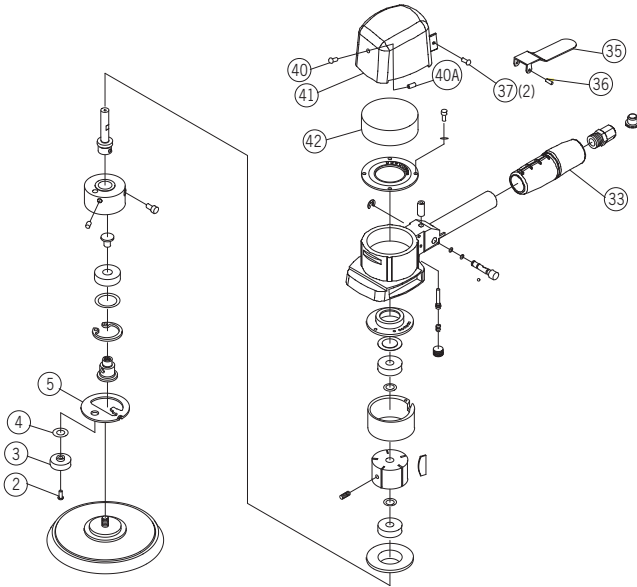


REPAIR PARTS



Ref No.	Part No.	Description	Qty
2	p	Screw	1
3	p	Balancer	1
4	p	Wave Washer	1
5	p	Drive Cover	1
33	D25356	Handle	1
35	+	Lever	1
36	+	Spring Pin	2
37	h	Screw	2
40	h	Rivet	1
40a	h	Rivet Bushing	1
41	h	Head Cap	1
42	h	Sponge	1

+ Only available in Trigger Repair Kit D25353

p Only available in Pad Locking Kit D25343

h Only available in Head Cap Kit D25348

NOTE: Parts not listed are not serviceable