

SPARE PARTS CATALOGUE

BICYCLE ENGINE

MODEL

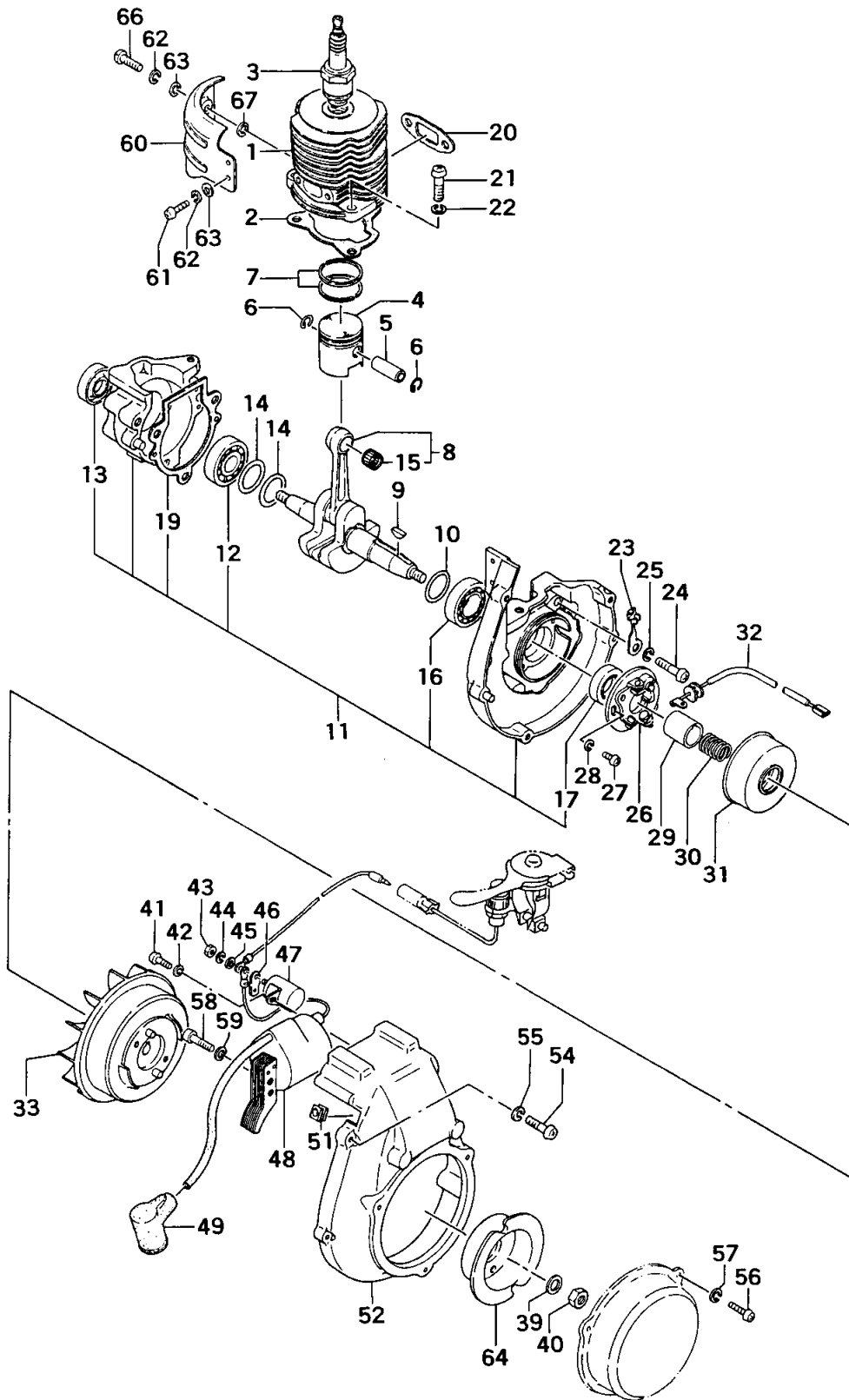
QBM-23

(Including Aqua Bug model)

SERIAL No. A002000

The logo features the word "Tanaka" in a bold, sans-serif font. Above the letter "a" is a stylized oval containing the letters "TAS".

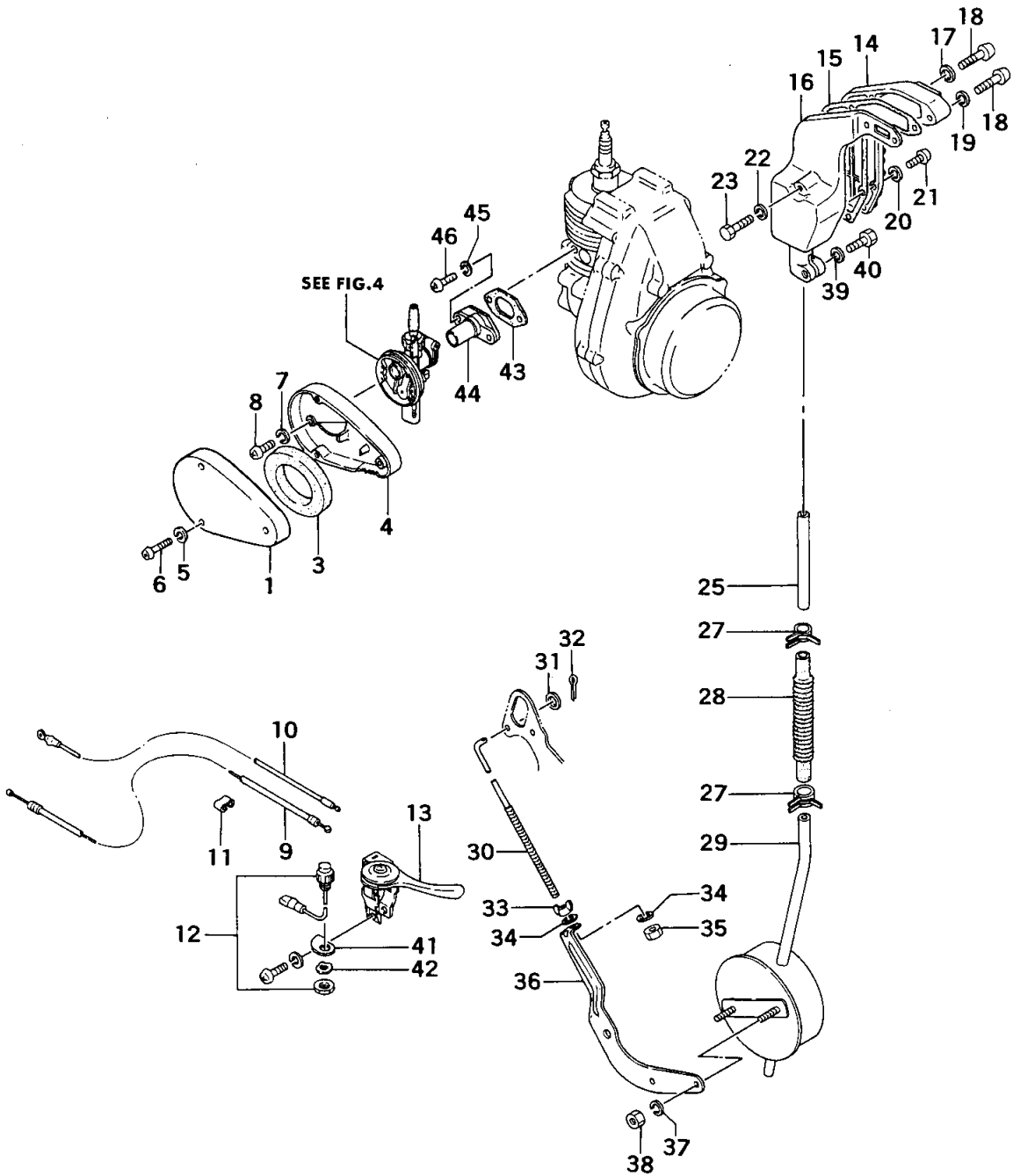
FIG.1 ENGINE



REFERENCE NUMBER	PRODUCTION PART NUMBER	PART NAME	QUANTITY	SERIAL NUMBER	SPARE PART NUMBER
FIG.1 ENGINE					
1-001	002-00500-804	CYLINDER COMP.	1	002 0010	1
1-002	017-00501-202	CYLINDER GASKET	1	017 0010	9
1-003	018-00502-200	SPARK PLUG 8M6A	1	018 0030	0
1-004	031-00500-200	PISTON	1	031 0010	3
1-005	037-00000-200	PISTON PIN 9X24	1	037 0000	8
1-006	039-00000-201	PISTON PIN CIRCLIP	2	039 0000	2
1-007	041-00000-200	PISTON RING	2	041 0000	9
1-008	046-00575-800	CRANK SHAFT COMP.	1	046 0070	3
1-009	068-02000-200	WOOD-RUFF KEY 3X13X5	1	068 0040	2
1-010	070-02401-201	CRANK SHAFT WASHER 15X22	1	070 0020	5
1-011	072-00501-900	CRANK CASE ASS'Y	1	072 0210	8
1-012	999-61620-100	BALL BEARING #6201	1	999 6133	4
1-013	999-66122-821	OIL SEAL 12287	1	999 6615	3
1-014	070-00601-201	CRANK SHAFT WASHER 12X18	2	070 0000	1
1-015	038-00000-200	PISTON PIN BUSHING	1	038 0000	5
1-016	999-61600-200	BALL BEARING #6002	1	999 6111	2
1-017	999-66152-500	OIL SEAL 15257	1	999 6622	3
1-019	090-00501-202	CRANK CASE GASKET	1	090 0010	4
1-020	737-00531-201	MUFFLER GASKET	1	737 0031	5
1-021	990-11060-201	SCREW 6X20	3	990 1133	6
1-022	992-10060-012	S.WASHER 6	3	992 1019	7
1-023	198-00501-200	CORD CLAMP	1	198 0010	1
1-024	990-11060-221	SCREW 6X22	3	990 1136	3
1-025	992-10060-012	S.WASHER 6	3	992 1019	7
1-026	159-20702-900	CONTACT BREAKER ASS'Y	1	159 0160	4
1-027	990-11040-081	SCREW 4X8	2	990 1026	3
1-028	992-01040-011	WASHER 4	2	992 0031	0
1-029	246-20701-201	MAGNETO CAM	1	246 0081	1
1-030	247-01000-201	CAM SUPPORT SPRING	1	247 0001	2
1-031	191-00501-201	CONTACT POINT COVER	1	191 0010	2
1-032	173-20702-804	PRIMARY CORD COMP.	1	173 0230	0
1-033	155-20702-812	MAGNETO ROTOR COMP.	1	155 0172	1
1-039	065-00000-200	FLYWHEEL WASHER	1	065 0000	3
1-040	066-00000-200	FLYWHEEL NUT 12	1	066 0000	0
1-041	990-11040-081	SCREW 4X8	1	990 1026	3
1-042	992-10040-012	S.WASHER 4	1	992 1007	2
1-043	991-01030-011	HEX. NUT 3	1	991 0007	6
1-044	992-10030-012	S.WASHER 3	1	992 1002	7
1-045	992-01030-011	WASHER 3	1	992 0028	6
1-046	205-00501-200	TERMINAL TAB	1	205 0000	7
1-047	177-20701-801	CONDENSER COMP.	1	177 0131	4
1-048	167-20710-801	IGNITION COIL COMP.	1	167 0160	3
1-049	157-04000-900	SPARK PLUG CAP ASS'Y	1	157 0050	0
1-051	202-10200-201	SECONDARY CORD GROMMET	1	202 0100	9
1-052	112-00539-202	FAN CASE	1	112 0260	6
1-054	990-11050-201	SCREW 5X20	3	990 1077	7
1-055	992-10050-012	S.WASHER 5	3	992 1012	4
1-056	990-11040-101	SCREW 4X10	3	990 1029	0
1-057	992-10040-012	S.WASHER 4	3	992 1007	2
1-058	990-11050-201	SCREW 5X20	2	990 1077	7
1-059	992-10050-012	S.WASHER 5	2	992 1012	4
1-060	132-00539-201	FLASH PAN	1	132 0040	2
1-061	990-11040-081	SCREW 4X8	2	990 1026	3

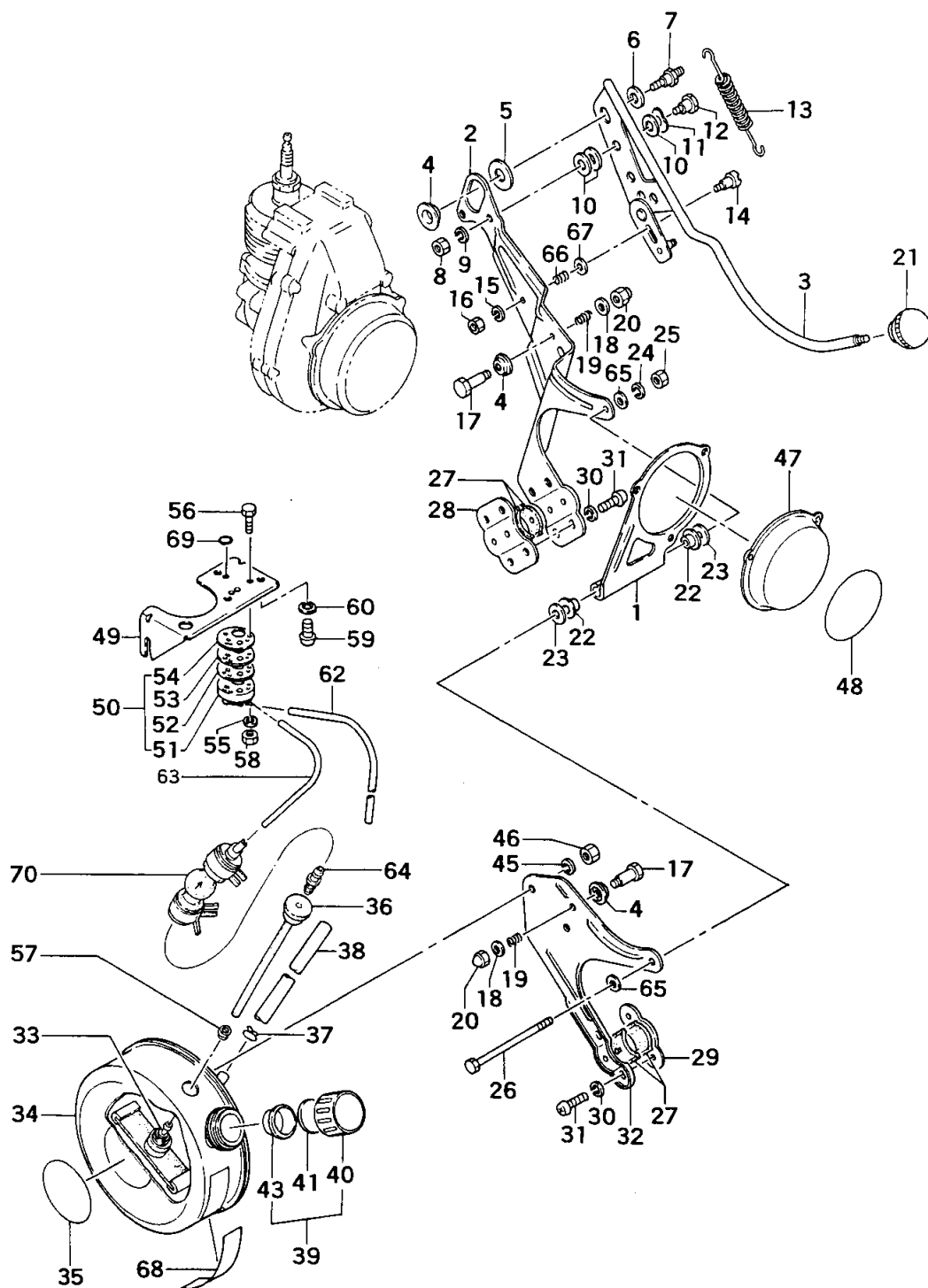
REFERENCE NUMBER	PRODUCTION PART NUMBER	PART NAME	QUANTITY	SERIAL NUMBER	SPARE PART NUMBER
FIG.1 ENGINE					
1-062	992-10040-012	S.WASHER 4	3		992 1007 2
1-063	992-01040-011	WASHER 4	3		992 0031 0
1-064	798-00539-202	STARTER PULLEY	1		798 0000 0
1-066	990-11040-101	SCREW 4X10	1		990 1029 0
1-067	751-0062W-200	MUFFLER S. GASKET	1		751 0010 6

FIG.2 AIR CLEANER & MUFFLER



REFERENCE NUMBER	PRODUCTION PART NUMBER	PART NAME	QUANTITY	SERIAL NUMBER	SPARE PART NUMBER
FIG.2 AIR CLEANER & MUFFLER					
2-001	424-00539-200	AIR CLEANER COVER	1		424 0080 4
2-003	444-00601-201	CLEANER ELEMENT A	1		444 0030 5
2-004	423-00539-203	AIR CLEANER BODY	1		423 0051 5
2-005	992-00040-011	SMALL WASHER 4	3		992 0008 2
2-006	990-11040-101	SCREW 4X10	3		990 1029 0
2-007	992-10040-012	S.WASHER 4	2		992 1007 2
2-008	990-11040-101	SCREW 4X10	2		990 1029 0
2-009	885-00539-800	THROTTLE WIRE	1		885 0220 7
2-010	178-00539-810	STOP CORD COMP.	1		178 0061 9
2-011	778-36100-200	CORD CLAMP	3		778 0110 4
2-012	170-01004-801	STOP BUTTON COMP.	1		170 0081 7
2-013	870-00005-930	THROTTLE LEVER ASS'Y	1		870 0023 0
2-014	717-00539-200	MUFFLER BODY B	1		717 0100 2
2-015	737-00539-201	MUFFLER GASKET	1		737 0040 3
2-016	716-00539-210	MUFFLER BODY A	1		716 0031 2
2-017	751-00601-200	MUFFLER S. GASKET	1		751 0000 9
2-018	990-11050-381	SCREW 5X38	2		990 1093 5
2-019	992-10050-012	S.WASHER 5	1		992 1012 4
2-020	992-10040-012	S.WASHER 4	6		992 1007 2
2-021	990-11040-141	SCREW 4X14	6		990 1036 0
2-022	992-10060-012	S.WASHER 6	1		992 1019 7
2-023	990-21060-181	BOLT 6X18	1		990 2039 6
2-025	220-36100-210	MUFFLER PIPE	1		220 0171 9
2-027	680-36100-200	CLIP	2		680 0280 2
2-028	222-36100-210	MUFFLER JOINT RUBBER	1		222 0091 4
2-029	531-36100-812	SUB MUFFLER COMP.	1		531 0021 4
2-030	330-36100-202	ADJUSTER ROD	1		330 0330 2
2-031	992-00050-011	SMALL WASHER 5	1		992 0009 1
2-032	992-90200-150	SPLIT PIN	1		992 9007 4
2-033	991-61060-012	WING NUT 6	1		991 6002 5
2-034	992-10060-012	S.WASHER 6	2		992 1019 7
2-035	991-01060-011	HEX. NUT 6	1		991 0022 5
2-036	530-36100-201	SUB MUFFLER STAY	1		530 0480 2
2-037	992-10060-012	S.WASHER 6	2		992 1019 7
2-038	991-01060-011	HEX. NUT 6	2		991 0022 5
2-039	992-10060-012	S.WASHER 6	1		992 1019 7
2-040	990-21060-201	BOLT 6X20	1		990 2041 1
2-041	640-33300-200	STOP BUTTON FIXING BASE	1		640 0170 0
2-042	992-04080-030	WAVE WASHER 8	1		992 0062 0
2-043	403-00001-200	INLET MANIFOLD GASKET	1		403 0010 2
2-044	393-00005-203	INLET MANIFOLD	1		393 0011 7
2-045	992-10050-012	S.WASHER 5	2		992 1012 4
2-046	990-11050-161	SCREW 5X16	2		990 1070 4

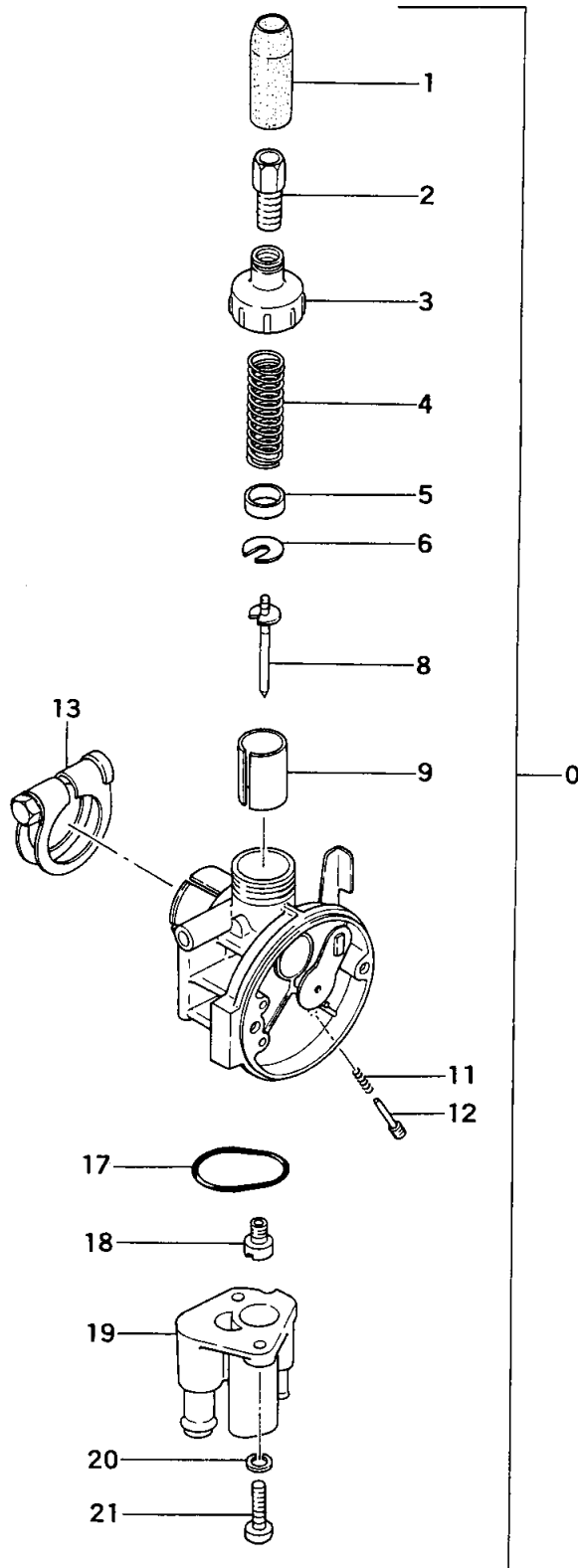
FIG.3 BRACKET & ROLLER ENGAGE LEVER



REFERENCE NUMBER	PRODUCTION PART NUMBER	PART NAME	QUANTITY	SERIAL NUMBER	SPARE PART NUMBER
FIG.3 BRACKET & ROLLER ENGAGE LEVER					
3-001	115-36100-200	BRACKET	1	115 0220 9	
3-002	106-36100-201	CLAMP BRACKET A	1	106 0160 8	
3-003	161-36100-810	ROLLER ENGAGE LEVER COMP.	1	161 0120 3	
3-004	109-36100-200	CLAMP BRACKET A GUIDE	3	109 0030 5	
3-005	307-36100-200	ENGAGE LEVER WASHER	1	307 0350 6	
3-006	992-01100-011	WASHER 10	1	992 0053 2	
3-007	301-36100-201	ENGAGE LEVER SET BOLT	1	301 0260 8	
3-008	991-01060-011	HEX. NUT 6	1	991 0022 5	
3-009	992-10060-012	S.WASHER 6	1	992 1019 7	
3-010	992-01100-011	WASHER 10	3	992 0053 2	
3-011	992-04100-030	WAVE WASHER 10	1	992 0064 8	
3-012	300-36100-200	ENGAGE LEVER BOLT	1	300 0540 6	
3-013	306-36100-202	LEVER SPRING	1	306 0280 7	
3-014	304-36100-200	LINK GUIDE BOLT	1	304 0160 6	
3-015	992-10050-012	S.WASHER 5	1	992 1012 4	
3-016	991-01050-011	HEX. NUT 5	1	991 0015 5	
3-017	299-36100-201	STEP BOLT	2	299 0020 6	
3-018	992-00050-011	SMALL WASHER 5	2	992 0009 1	
3-019	309-36100-200	ADJUSTER SPRING B	2	309 0070 5	
3-020	991-42050-012	CAP NUT 5	2	991 4006 3	
3-021	305-36100-200	KNUR	1	305 0060 0	
3-022	102-36100-202	BRACKET GUIDE PLATE	2	102 0070 4	
3-023	108-35500-200	CLAMP BRACKET BUSHING	2	108 0180 6	
3-024	992-10060-012	S.WASHER 6	1	992 1019 7	
3-025	991-01060-011	HEX. NUT 6	1	991 0022 5	
3-026	990-21061-001	BOLT 6X100	1	990 2065 1	
3-027	117-36100-200	CLAMP RUBBER	6	117 0100 6	
3-028	112-36100-201	CLAMP STAY A	1	112 1440 7	
3-029	113-36100-201	CLAMP STAY B	1	113 0230 2	
3-030	992-10060-012	S.WASHER 6	6	992 1019 7	
3-031	994-31060-251	SCREW 6X25	6	994 3021 4	
3-032	107-36100-202	CLAMP BRACKET B	1	107 0310 6	
3-033	675-04001-900	PUMP FILTER BODY ASS'Y	1	675 0100 5	
3-034	401-36100-804	TANK COMP.	1	401 0060 3	
3-035	435-36102-201	SYMBOL MARK	1	435 0110 8	
3-036	678-00539-200	RUBBER PIPE	1	678 0100 6	
3-037	680-10114-203	CLIP 13	1	680 0200 6	
3-038	700-08012-087	FUEL PIPE 8X12X37	1	700 1360 7	
3-039	595-00539-900	TANK CAP ASS'Y	1	595 0020 1	
3-040	628-00539-200	TANK CAP	1	628 0130 2	
3-041	646-0062C-200	AIR VENT VALVE B	1	646 0020 4	
3-043	629-0062A-200	TANK INNER CAP	1	629 0040 3	
3-045	992-10060-012	S.WASHER 6	3	992 1019 7	
3-046	991-01060-011	HEX. NUT 6	3	991 0022 5	
3-047	114-36100-201	BRACKET COVER	1	114 0100 5	
3-048	580-36100-202	CAUTION MARK	1	580 0090 2	
3-049	200-00539-210	PUMP FIXING PLATE	1	200 0001 1	
3-050	593-00539-900	PUMP ASS'Y	1	593 0050 8	
3-051	667-00539-801	PUMP SUCTION SIDE COMP.	1	667 0020 7	
3-052	674-04001-211	FREE VALVE	1	674 0001 4	
3-053	670-04001-211	PUMP DIAPHRAGM	1	670 0011 3	
3-054	671-04001-213	PUMP GASKET	1	671 0001 3	
3-055	992-10040-012	S.WASHER 4	3	992 1007 2	
3-056	990-11040-161	SCREW 4X16	3	990 1040 3	

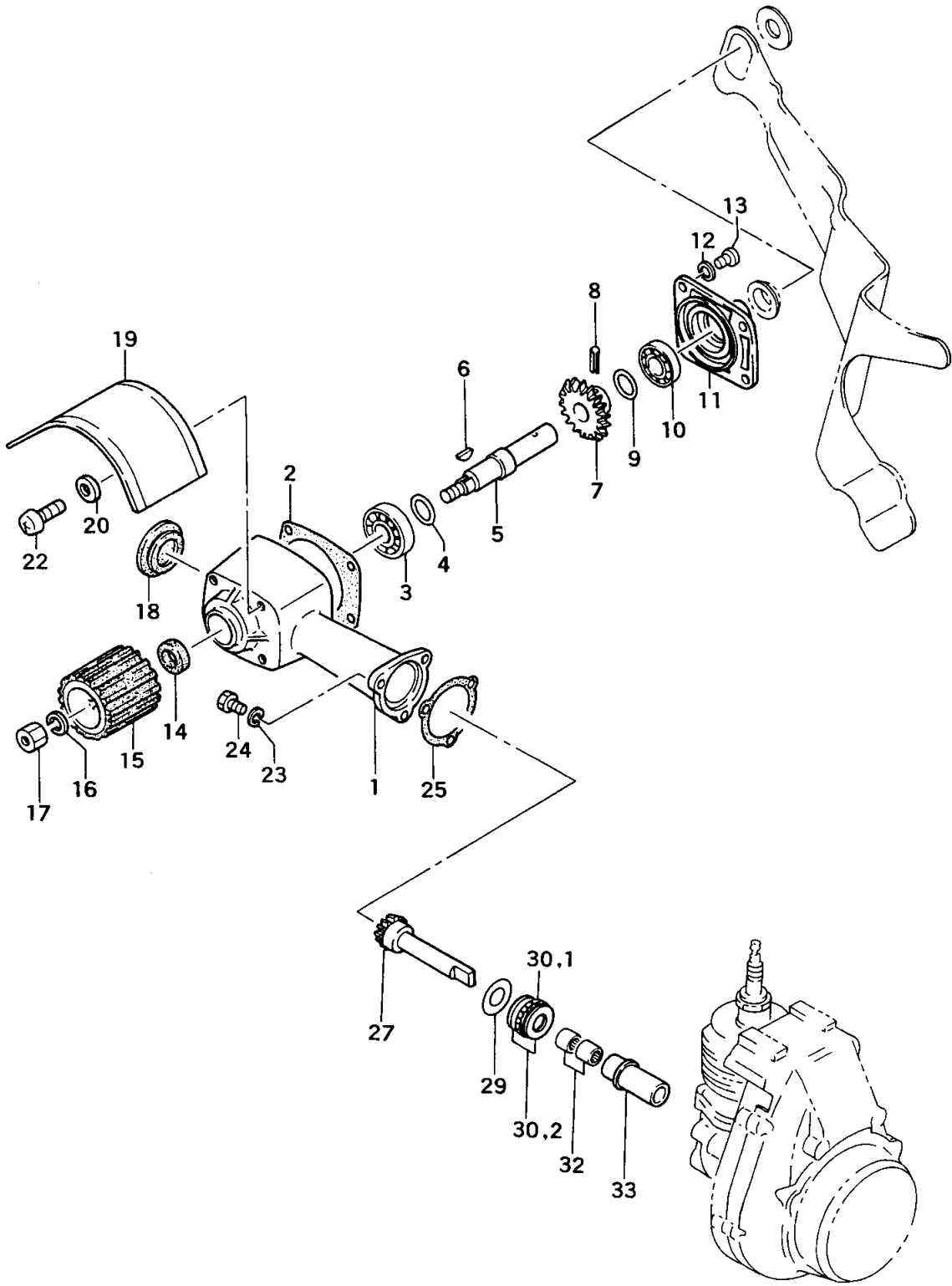
REFERENCE NUMBER	PRODUCTION PART NUMBER	PART NAME	QUANTITY	SERIAL NUMBER	SPARE PART NUMBER
FIG.3 BRACKET & ROLLER ENGAGE LEVER					
3-058	991-01040-011	HEX. NUT 4	3		991 0011 9
3-059	990-10060-101	SCREW 6X10	3		990 1003 2
3-060	992-10060-012	S.WASHER 6	3		992 1019 7
3-062	700-03005-200	FUEL PIPE 3X5X200	1		700 0710 5
3-063	700-03005-160	FUEL PIPE 3X5X160	1		700 0660 7
3-064	497-01550-200	PIPE JOINT	1		497 0010 7
3-065	992-01060-011	WASHER 6	2		992 0040 8
3-066	308-36100-201	ADJUSTER SPRING A	1		308 0050 4
3-067	992-00060-011	SMALL WASHER 6	1		992 0013 4
3-068	909-11108-201	TANK MARK	1		909 0060 4
3-069	999-67004-000	O-RING P4	1		999 6702 2
3-070	593-01550-900	PRIMER PUMP ASS*Y	1		593 0100 6

FIG.4 CARBURETOR



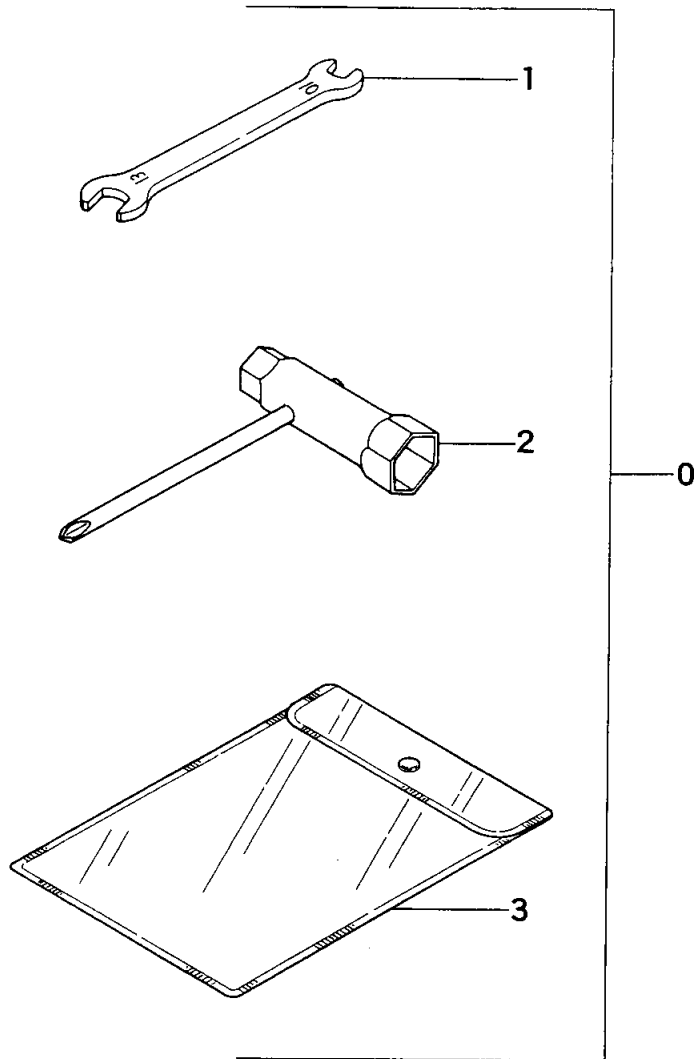
REFERENCE NUMBER	PRODUCTION PART NUMBER	PART NAME	QUANTITY	SERIAL NUMBER	SPARE PART NUMBER
FIG.4 CARBURETOR					
4-000	455-22009-903	CARBURETOR ASS'Y QDM-23	1		455 1073 9
4-001	560-22602-200	RUBBER CAP	1		560 0070 2
4-002	597-22602-200	THROTTLE CABLE ADJUSTER	1		597 0110 1
4-003	595-22602-200	BODY CAP	1		595 0380 2
4-004	594-22000-200	THROTTLE VALVE SPRING	1		594 0100 3
4-005	526-22009-202	COLLAR	1		526 0050 8
4-006	619-22602-200	THROTTLE SPRING RECEIVER	1		619 0170 4
4-008	592-22009-900		1		4
4-009	591-22009-200	THROTTLE VALVE	1		591 1090 1
4-011	623-22000-200	ADJUST SPRING	1		623 0110 3
4-012	622-22000-200	ADJUST SCREW	1		622 0130 0
4-013	561-22602-900	BODY BAND ASS'Y	1		561 0150 8
4-017	607-22000-200	CHAMBER GASKET	1		607 0370 3
4-018	599-22000-252	MAIN JET	1		599 0331 4
4-019	580-22009-800	FLUAT CHAMBER COMP.	1		580 0060 1
4-020	992-10040-012	S.WASHER 4	2		992 1007 2
4-021	990-11040-101	SCREW 4X10	2		990 1029 0

FIG.5 GEAR CASE



REFERENCE NUMBER	PRODUCTION NUMBER	PART NAME	QUANTITY	SERIAL NUMBER	SPARE PART NUMBER
FIG.5 GEAR CASE					
5-001	131-36100-201	GEAR CASE	1		131 0121 3
5-002	049-36100-200	GEAR CASE COVER GASKET	1		049 0080 1
5-003	999-61620-100	BALL BEARING #6201	1		999 6133 4
5-004	015-35500-200	PROPELLER SHAFT SHIM 0.1	V		015 0230 5
5-004	016-35500-200	PROPELLER SHAFT SHIM 0.2	V		016 0910 9
5-004	022-35500-200	PROPELLER SHAFT SHIM 0.3	V		022 0180 9
5-005	005-36100-204	GEAR SHAFT	1		005 0110 5
5-006	068-00300-200	WOOD-RUFF KEY 3X10X3.7	1		068 0010 1
5-007	017-36100-201		1		1
5-008	993-24050-240	SPRING PIN 5X24	1		993 2017 5
5-009	015-35500-200	PROPELLER SHAFT SHIM 0.1	V		015 0230 5
5-009	016-35500-200	PROPELLER SHAFT SHIM 0.2	V		016 0910 9
5-009	022-35500-200	PROPELLER SHAFT SHIM 0.3	V		022 0180 9
5-010	999-61600-100	BALL BEARING #6001	1		999 6108 8
5-011	045-36100-201	GEAR CASE COVER	1		045 0061 8
5-012	992-10050-012	S.WASHER 5	4		992 1012 4
5-013	990-11050-141	SCREW 5X14	4		990 1068 9
5-014	999-66122-266	OIL SEAL 12227	1		999 6613 5
5-015	231-36100-800	ROLLER COMP.	1		231 0140 9
5-016	992-10080-012	S.WASHER 8	1		992 1026 7
5-017	991-85080-321	LONG NUT 8X32/L.H.THREAD	1		991 8012 C
5-018	046-36100-200	GEAR CASE GROMMET	1		046 0960 3
5-019	230-36100-201	ROLLER COVER	1		230 0140 2
5-020	992-01050-011	WASHER 5	2		992 0035 6
5-022	990-11050-101	SCREW 5X10	2		990 1062 5
5-023	992-10060-012	S.WASHER 6	3		992 1019 7
5-024	990-21060-151	BOLT 6X15	3		990 2036 9
5-025	303-00200-200	GEAR CASE GASKET A	1		303 0000 4
5-027	060-36100-220	PINION	1		060 0392 8
5-029	063-35500-200	DRIVE SHAFT SHIM 0.50	V		063 0100 2
5-029	064-35500-200	DRIVE SHAFT SHIM 0.10	V		064 0100 9
5-030,1	999-62102-463	THRUST BEARING 1024	1		999 6216 0
5-030,2	999-62102-464	THRUST WASHER 1024	2		999 6217 9
5-032	999-62101-010	NEEDLE BEARING TLA 1010	2		999 6209 0
5-033	079-36100-802	ADAPTER COMP.	1		079 0090 7

FIG.6 TOOLS



REFERENCE NUMBER	PRODUCTION PART NUMBER	PART NAME	QUANTITY	SERIAL NUMBER	SPARE PART NUMBER
FIG.6 TOOLS					
6-000	985-36102-900	TOOL KIT	1		985 3005 0
6-001	805-20000-200	SPANNER 10X14	1		805 0020 7
6-002	829-20000-800	COMBI. BOX W/PLUS DRIVER 13X19	1		829 0020 1
6-003	948-32352-200	TOOL BAG	1		948 0020 1