

. - 2 610 927 569 - RA 1161

www.powertools-aftersaleservice.com

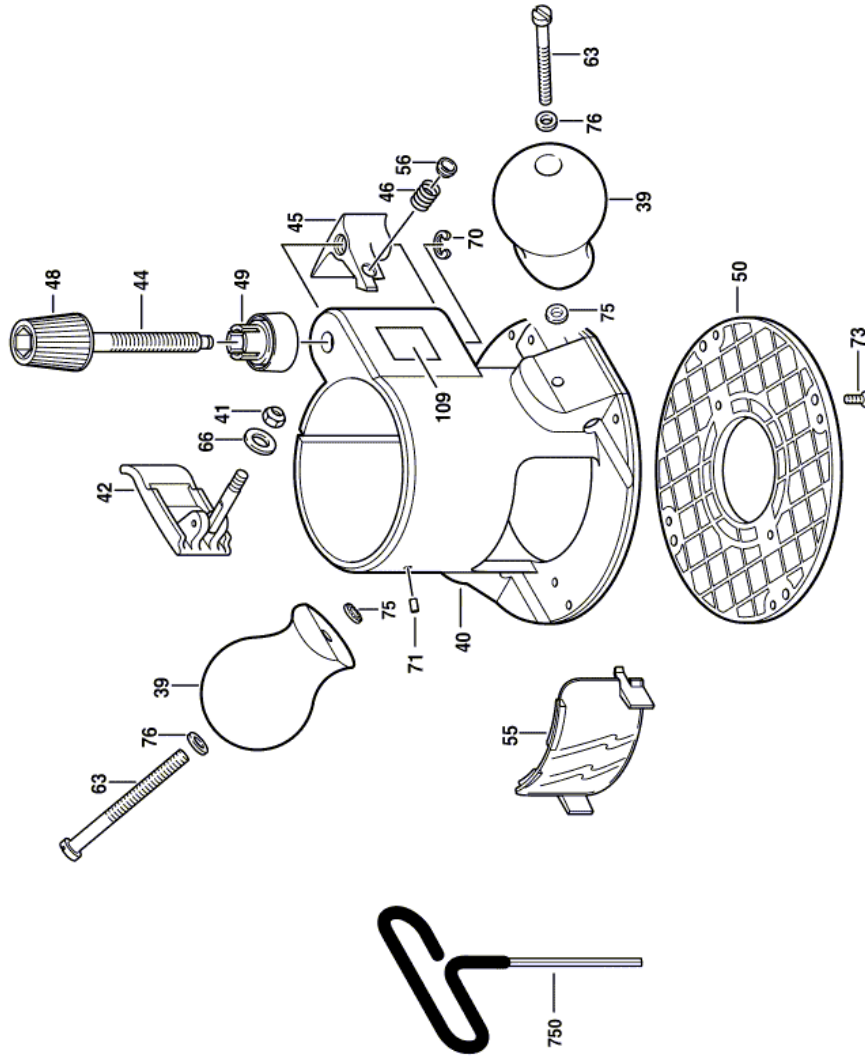
**BOSCH**

Item	Part Number	Description	Illustration	Price	Quantity	Price Group
39	2 610 991 387	Handle	1	-,-	2	24
40	2 610 925 365	Base	1	-,-	1	41
41	1 613 300 006	Hex Nut M6	1	-,-	1	11
42	2 610 915 060	Clamping Lever	1	-,-	1	20
44	2 610 922 527	Rod	1	-,-	1	15
45	2 610 991 385	Lever	1	-,-	1	19
46	2 610 991 371	Spring	1	-,-	1	12
48	2 610 993 576	Adjusting Device	1	-,-	1	13
49	2 610 993 577	Ring	1	-,-	1	16
50	2 610 928 164	Cover Plate	1	-,-	1	28
55	2 610 991 389	Chip Deflector	1	-,-	1	19
56	2 610 991 372	Cover	1	-,-	1	10
63	2 910 011 219	Socket head cap screw DIN 84-BM6x70-5.8	1	-,-	2	11
66	2 918 660 004	Washer DIN 126-9-A2	1	-,-	1	10
70	2 610 996 054	Retaining snap ring	1	-,-	1	11
71	2 610 994 492	Bolt	1	-,-	1	10
73	2 610 915 161	Screw	1	-,-	4	15
75	2 916 079 032	Serrated Lock-Washer	1	-,-	2	11
76	2 916 011 013	Plain Washer DIN 433-6,4-ST 50	1	-,-	2	10
109	2 610 928 165	Label	1	-,-	1	-
750	2 610 923 193	Adjusting Wrench	1	-,-	1	20

Product information . - 2 610 927 569 - RA 1161

Product No	2 610 927 569
Description	0; .
DIN-Text	
ID_Text_Ext	0
Trading_Description	RA 1161
Voltage_1	0 V
ID_Country_Product	---

Illustration - Type E



2 610 927 569
Issue | 05-06-15
Stand | **Fig./Abb. 1**

Modifications reserved
Änderungen vorbehalten
Modifications réservées
Salvo modificaciones

Information subject to change without further notice.