

Basic Unit - 2 610 925 470 - RA 1162

www.powertools-aftersaleservice.com



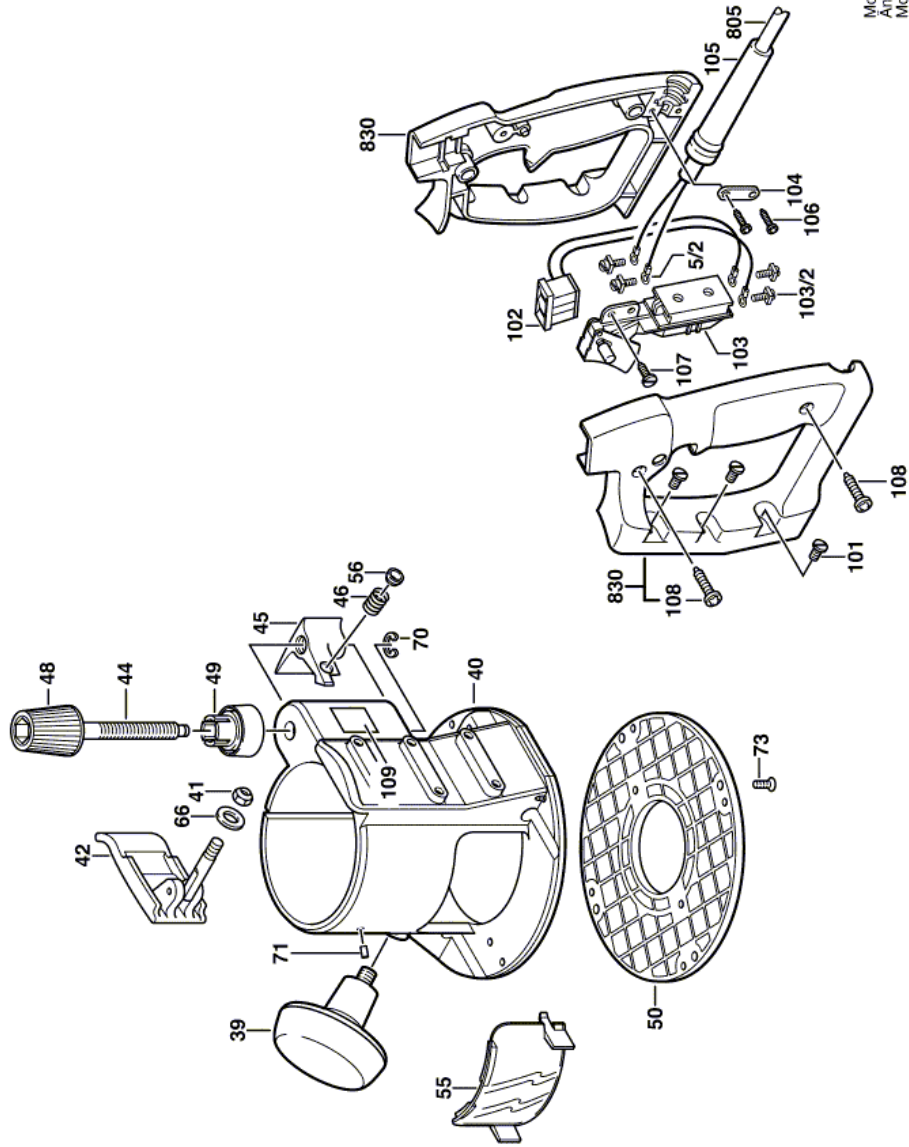
BOSCH

| Item | Part Number | Description | Illustration | Price | Quantity | Price Group |
|-------|---------------|---|--------------|-------|----------|-------------|
| 5/2 | 3 601 353 500 | Terminal | 1 | -,- | 2 | 11 |
| 39 | 2 602 026 001 | Handle BLACK | 1 | -,- | 1 | 16 |
| 40 | 2 610 924 105 | Base | 1 | -,- | 1 | - |
| 41 | 1 613 300 006 | Hex Nut M6 | 1 | -,- | 1 | 11 |
| 42 | 2 610 915 060 | Clamping Lever | 1 | -,- | 1 | 20 |
| 44 | 2 610 991 384 | Adjusting Shaft | 1 | -,- | 1 | - |
| 45 | 2 610 991 385 | Lever | 1 | -,- | 1 | 19 |
| 46 | 2 610 991 371 | Spring | 1 | -,- | 1 | 12 |
| 48 | 2 610 993 576 | Adjusting Device | 1 | -,- | 1 | 13 |
| 49 | 2 610 993 577 | Ring | 1 | -,- | 1 | 16 |
| 50 | 2 610 928 164 | Cover Plate | 1 | -,- | 1 | 28 |
| 55 | 2 610 991 389 | Chip Deflector | 1 | -,- | 1 | 19 |
| 56 | 2 610 991 372 | Cover | 1 | -,- | 1 | 10 |
| 66 | 2 918 660 004 | Washer DIN 126-9-A2 | 1 | -,- | 1 | 10 |
| 70 | 2 610 996 054 | Retaining snap ring | 1 | -,- | 1 | 11 |
| 71 | 2 610 994 492 | Bolt | 1 | -,- | 1 | 10 |
| 73 | 2 610 915 161 | Screw | 1 | -,- | 4 | 15 |
| 101 | 2 910 641 152 | Oval-Head Screw DIN 7985-M5x10-4.8 | 1 | -,- | 6 | 10 |
| 102 | 3 604 484 501 | Receptacle | 1 | -,- | 1 | 26 |
| 103 | 2 610 994 461 | On-Off Switch | 1 | -,- | 1 | - |
| 103/2 | 3 603 433 506 | Socket head cap screw | 1 | -,- | 4 | 13 |
| 104 | 3 601 032 500 | Fastening Clamp | 1 | -,- | 1 | 20 |
| 105 | 3 600 703 500 | Grommet | 1 | -,- | 1 | 16 |
| 106 | 2 910 211 211 | Tapping Screw | 1 | -,- | 2 | 14 |
| 107 | 2 910 611 424 | Tapping Screw DIN 7981-ST4,2x9,5-F-H | 1 | -,- | 1 | 10 |
| 108 | 2 910 611 021 | Tapping Screw DIN 7981-B3,9x22 | 1 | -,- | 2 | 11 |
| 109 | 2 610 941 608 | Label | 1 | -,- | 1 | - |
| 805 | 3 604 460 514 | Power supply cord USA/CDN 3,275m 2 x 1,32mm SJ 16/2 | 1 | -,- | 1 | 28 |
| 830 | 2 610 997 132 | Handle | 1 | -,- | 1 | - |

Product information Basic Unit - 2 610 925 470 - RA 1162

| | |
|---------------------|---------------------|
| Product No | 2 610 925 470 |
| Description | 182.516; Basic Unit |
| DIN-Text | |
| ID_Text_Ext | 0 |
| Trading_Description | RA 1162 |
| Voltage_1 | 0 V |
| ID_Country_Product | --- |

Illustration - Type E



Modifications reserved
Änderungen vorbehalten
Modifications réservées
Salvo modificaciones

2 610 997 013
Issue | 04-09-15
Stand | **Fig./Abb. 1**

Information subject to change without further notice.