

. - 2 610 925 360 - RA 1165

www.powertools-aftersaleservice.com

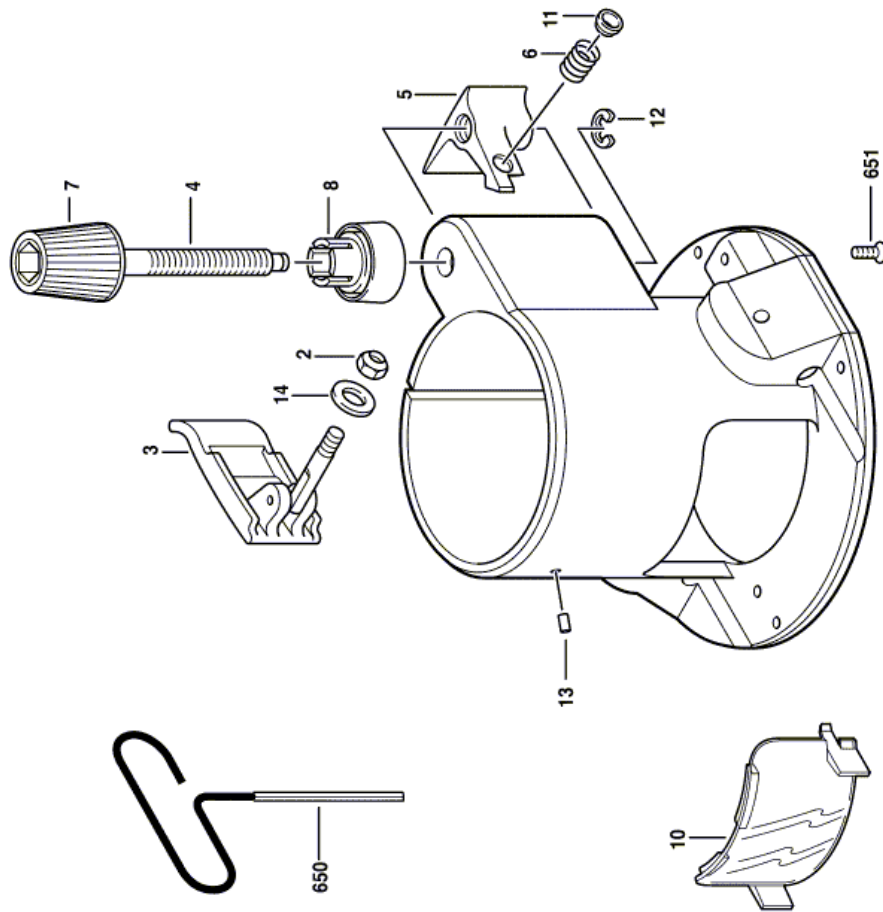
**BOSCH**

Item	Part Number	Description	Illustration	Price	Quantity	Price Group
2	1 613 300 006	Hex Nut M6	1	-,-	1	11
3	2 610 915 060	Clamping Lever	1	-,-	1	20
4	2 610 922 527	Rod	1	-,-	1	15
5	2 610 991 385	Lever	1	-,-	1	19
6	2 610 991 371	Spring	1	-,-	1	12
7	2 610 993 576	Adjusting Device	1	-,-	1	13
8	2 610 993 577	Ring	1	-,-	1	16
10	2 610 991 389	Chip Deflector	1	-,-	1	19
11	2 610 991 372	Cover	1	-,-	1	10
12	2 610 996 054	Retaining snap ring	1	-,-	1	11
13	2 610 994 492	Bolt	1	-,-	1	10
14	2 918 660 004	Washer DIN 126-9-A2	1	-,-	1	10
650	2 610 923 193	Adjusting Wrench	1	-,-	1	20
651	2 610 913 877	Screw	1	-,-	1	-

Product information . - 2 610 925 360 - RA 1165

Product No	2 610 925 360
Description	0; .
DIN-Text	
ID_Text_Ext	0
Trading_Description	RA 1165
Voltage_1	0 V
ID_Country_Product	---

Illustration - Type E



2 610 925 360
Issue | 04-09-15
Stand | **Fig./Abb. 1**

Modifications reserved
Änderungen vorbehalten
Modificacions reservées
Salvo modificaciones

Information subject to change without further notice.