

## Basic Unit - 2 610 919 881 - RA1166

www.powertools-aftersaleservice.com



**BOSCH**

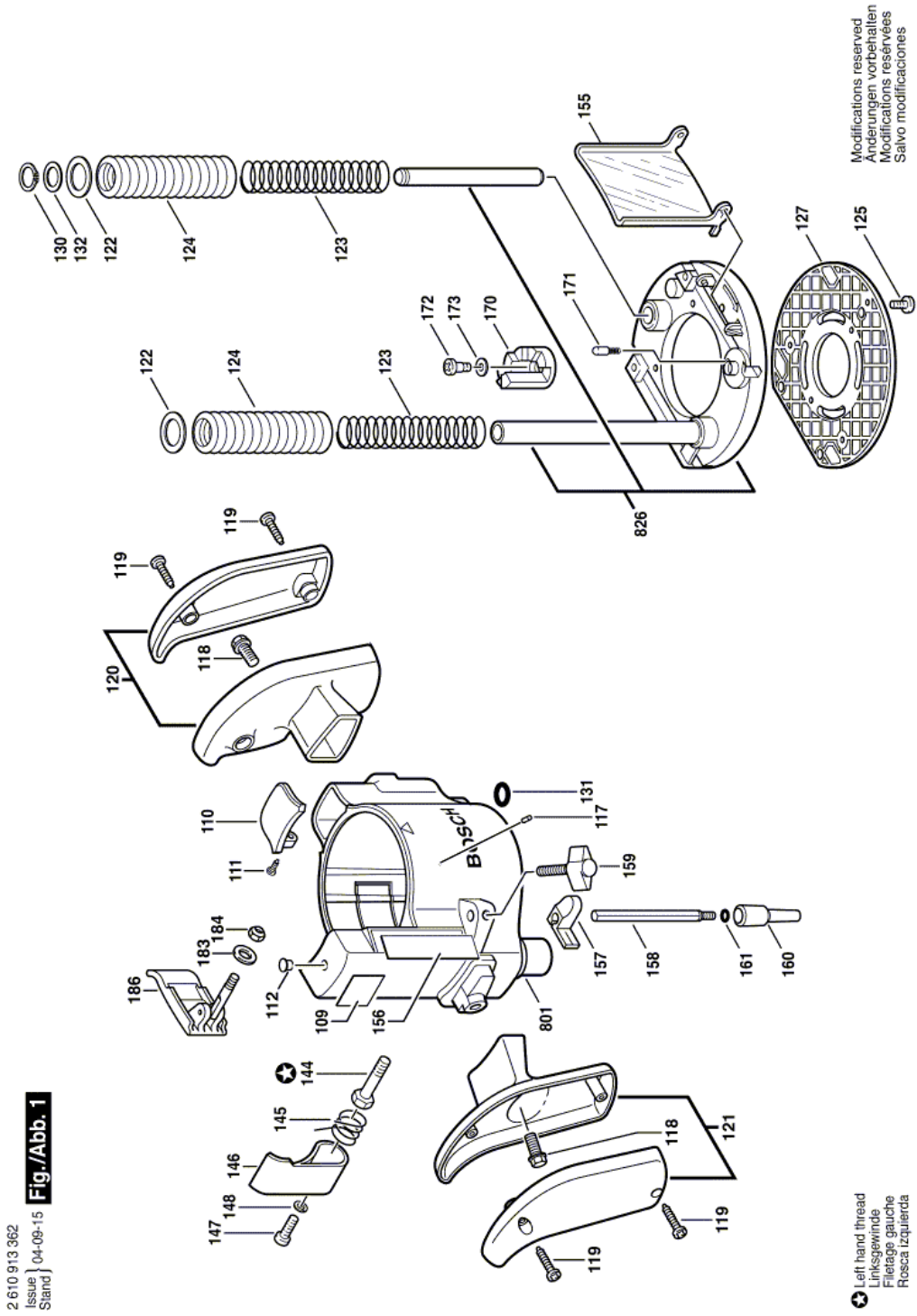
Item	Part Number	Description	Illustration	Price	Quantity	Price Group
109	2 610 941 624	Label	1	-,-	1	-
110	2 610 912 594	Protection cover	1	-,-	1	15
111	2 610 990 022	Screw	1	-,-	1	11
112	2 610 914 852	Plug	1	-,-	1	10
117	2 610 994 492	Bolt	1	-,-	1	10
118	2 610 996 143	Screw	1	-,-	2	11
119	2 610 913 441	Screw	1	-,-	4	10
120	2 610 912 597	Handle	1	-,-	1	27
121	2 610 996 107	Handle	1	-,-	1	27
122	2 610 914 639	Disc	1	-,-	2	10
123	2 610 912 598	Compression Spring	1	-,-	2	11
124	3 605 510 548	Bellows	1	-,-	2	18
125	2 610 915 161	Screw	1	-,-	3	15
127	2 610 997 099	Cover Plate	1	-,-	1	29
130	2 916 650 003	Spring retaining ring DIN 471-12x1-FSt	1	-,-	1	10
131	1 900 210 111	O-Ring 12x3 MM	1	-,-	1	13
132	2 610 913 282	Plain Washer	1	-,-	1	10
144	3 603 450 504	Lock Bolt	1	-,-	1	17
145	3 604 651 503	Compression Spring	1	-,-	1	13
146	3 602 000 510	Locking Lever	1	-,-	1	13
147	2 910 641 122	Oval-Head Screw DIN 7985-M4X12-4.8-H	1	-,-	1	13
148	2 916 680 005	Spring Lock Washer B 4 DIN 127	1	-,-	1	10
155	2 610 912 599	Chip Deflector	1	-,-	1	20
156	2 610 914 201	Reference Plate	1	-,-	1	15
157	2 610 997 094	Pointer	1	-,-	1	19
158	2 610 912 600	Rod	1	-,-	1	23
159	1 613 480 008	Wing Screw M6x20 MM	1	-,-	1	11
160	2 610 912 601	Knob	1	-,-	1	19
161	2 610 068 154	O-Ring	1	-,-	1	10
170	3 600 232 503	Depth-Gauge	1	-,-	1	24
171	2 600 590 006	Ratchet Cap	1	-,-	1	11
172	3 603 415 556	Pan head screw M4	1	-,-	1	13
173	3 916 060 500	Spring Washer	1	-,-	1	10

Item	Part Number	Description	Illustration	Price	Quantity	Price Group
183	2 918 660 004	Washer DIN 126-9-A2	1	-,-	1	10
184	1 613 300 006	Hex Nut M6	1	-,-	1	11
186	2 610 915 060	Clamping Lever	1	-,-	1	20
801	2 610 924 454	Base	1	-,-	1	43
826	2 610 997 115	Base	1	-,-	1	43

## Product information Basic Unit - 2 610 919 881 - RA1166

Product No	2 610 919 881
Description	182.516; Basic Unit
DIN-Text	
ID_Text_Ext	0
Trading_Description	RA1166
Voltage_1	0 V
ID_Country_Product	---

Illustration - Type E



Information subject to change without further notice.