

Routing Table - 2 610 914 514 - RA1180

www.powertools-aftersaleservice.com



BOSCH

Item	Part Number	Description	Illustration	Price	Quantity	Price Group
1	2 610 913 850	Table	1	-,-	1	-
2	1 609 441 956	Support bracket	2	-,-	2	-
4	2 610 923 280	Knob	2	-,-	2	-
5	2 610 915 114	Adapter Plate	2	-,-	1	-
6	2 610 915 115	Bracket	2	-,-	1	-
7	2 610 915 116	Mitre Fence	2	-,-	2	-
8	2 610 915 117	Mitre Fence	2	-,-	1	-
9	2 610 923 277	Knob	2	-,-	2	-
10	2 610 915 119	Dust-Protection Cover	2	-,-	1	-
11	2 610 915 120	Cover	2	-,-	1	-
16	2 610 915 125	Insert ring set	2	-,-	1	-
19	2 610 915 128	Table Leg	1	-,-	2	-
20	2 610 915 129	Sticker	1	-,-	1	-
20/2	2 610 996 892	On-Off Switch	1	-,-	1	38
20/3	2 610 907 969	Switch Box	1	-,-	1	-
20/4	2 610 909 533	Clamp	1	-,-	1	-
20/5	2 610 997 294	Screw	1	-,-	4	10
20/6	2 610 909 494	Cord	1	-,-	1	-
20/7	2 610 909 510	Socket	1	-,-	1	-
21	2 610 915 132	Panel	1	-,-	1	-
22	2 610 915 133	Cord	1	-,-	1	-
23	2 610 907 916	Work Board	2	-,-	2	-
24	2 610 909 247	Support	2	-,-	2	-
25	2 610 907 918	Motor Guard	2	-,-	1	-
26	2 610 909 288	Knurled Nut	2	-,-	8	-
27	2 610 910 450	Washer	2	-,-	2	-
28	2 610 909 301	Guiding bolt	2	-,-	1	-
29	2 610 915 134	Protective Guard	2	-,-	1	16
37	2 610 004 135	Washer	2	-,-	12	-
46	2 610 004 126	Nut	2	-,-	2	-
59	2 610 915 583	Spare Part	2	-,-	1	-
60	2 610 915 582	Spare Part	1	-,-	1	-
847	2 610 358 432	Adjusting Wrench 1/8"	1	-,-	1	-

Item	Part Number	Description	Illustration	Price	Quantity	Price Group
851	2 610 910 863	Assembly kit	2	-,-	1	-

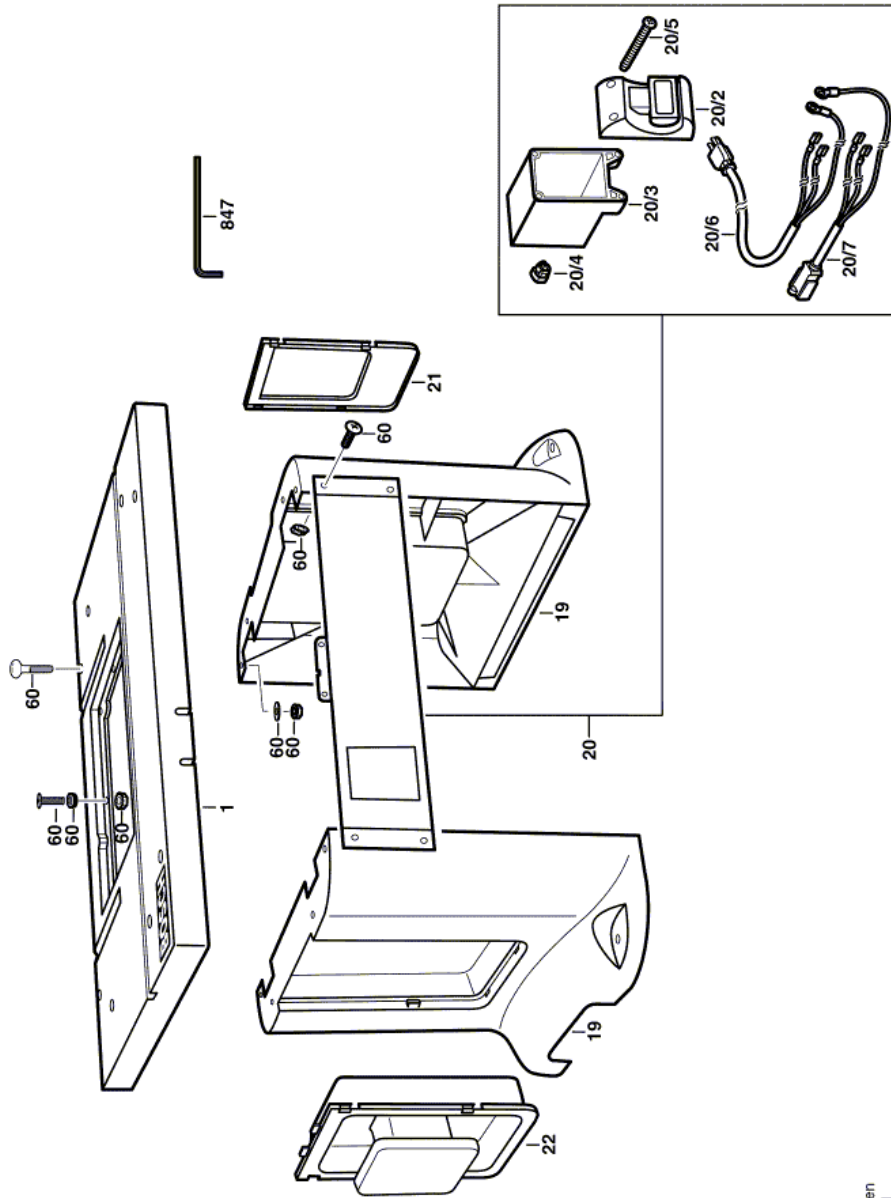
Product information Routing Table - 2 610 914 514 - RA1180

Product No	2 610 914 514
Description	258.008; Routing Table
DIN-Text	
ID_Text_Ext	0
Trading_Description	RA1180
Voltage_1	120 V
ID_Country_Product	---

Illustration - Type E

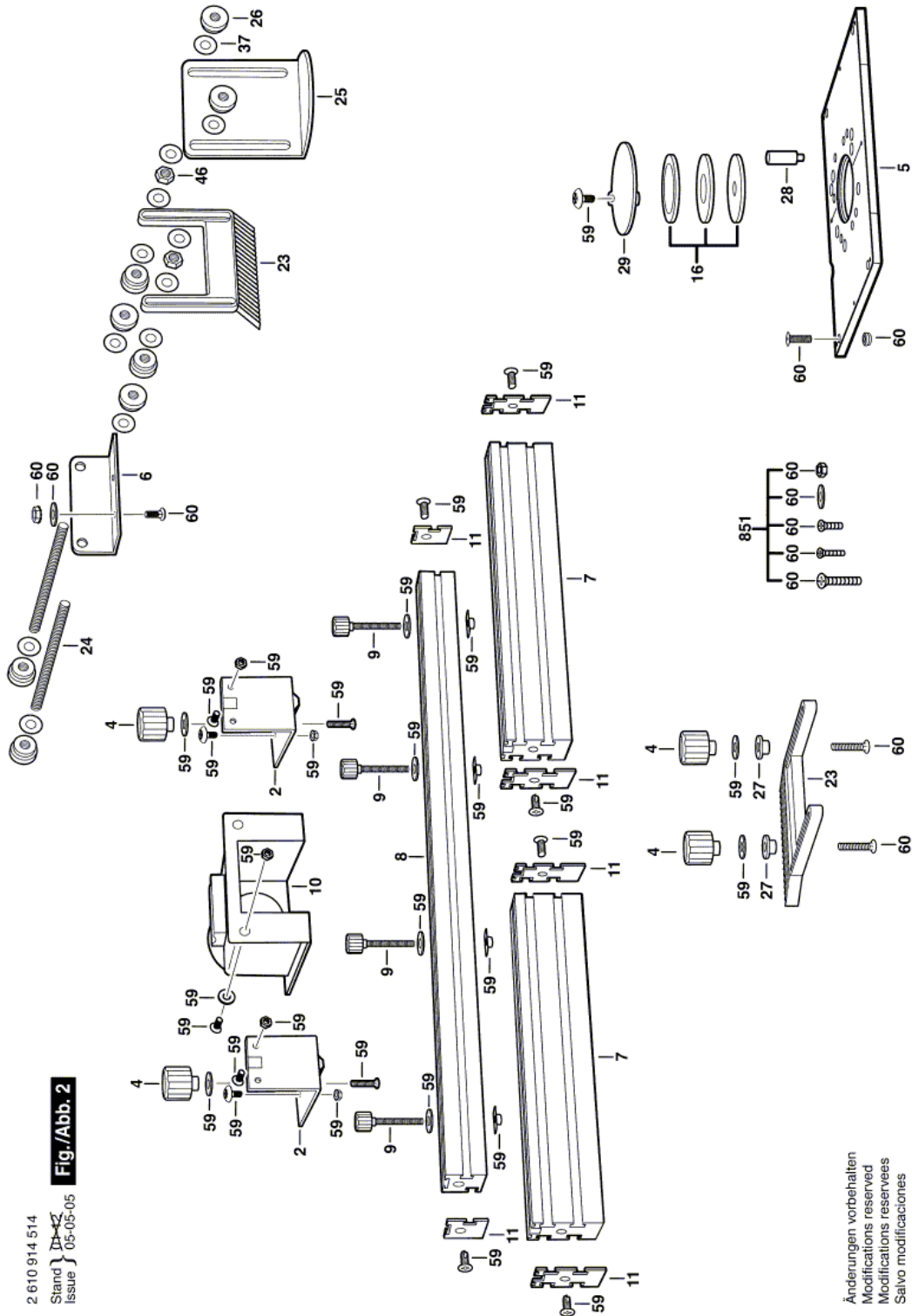
2 610 914 514
Stand J 05-05-05
Issue J

Fig./Abb. 1



Anderungen vorbehalten
Modifications reserved
Modificacions reserves
Salvo modificaciones

Illustration - Type E



Information subject to change without further notice.