

Routing Table - 2 610 930 227 - RAS570

www.powertools-aftersaleservice.com



BOSCH

Item	Part Number	Description	Illustration	Price	Quantity	Price Group
1	1 609 505 401	Table	1	-,-	1	-
4	2 610 915 548	Switch Assembly	1	-,-	1	-
17	2 610 923 283	Knob	1	-,-	3	-
18	1 609 441 662	Protective Guard	1	-,-	1	-
22	1 609 507 788	Mitre Fence	1	-,-	1	-
23	1 609 439 536	Table Leg	1	-,-	4	-
24	1 609 439 539	Router table extension	1	-,-	2	-
25	1 609 439 538	End Support	1	-,-	2	-
26	1 609 439 503	End Support	1	-,-	2	-
27	1 609 441 698	Scale	1	-,-	1	-
28	1 609 441 698	Scale	1	-,-	1	-
30	1 609 443 886	Key	1	-,-	1	-
40	1 609 518 399	Adapter Plate	1	-,-	1	-
652	2 610 928 051	Mitre Gauge	1	-,-	1	-
653	1 609 441 715	Insert ring set	1	-,-	1	-
654	1 609 505 306	Service kit	1	-,-	1	-

Product information Routing Table - 2 610 930 227 - RAS570

Product No	2 610 930 227
Description	258.008; Routing Table
DIN-Text	
ID_Text_Ext	0
Trading_Description	RAS570
Voltage_1	0 V
ID_Country_Product	---

Illustration - Type E

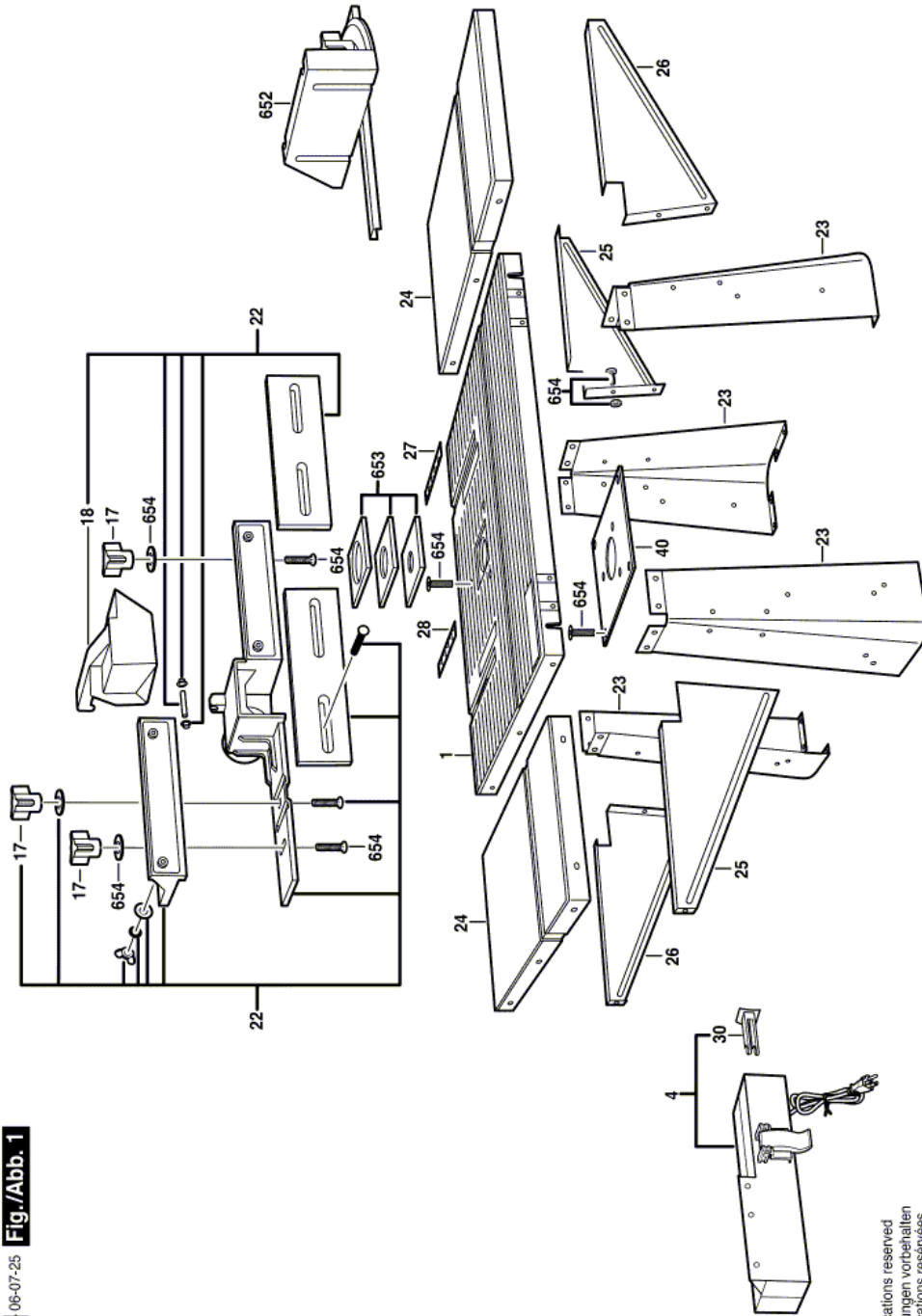


Fig./Abb. 1

2 610 930 227
Issue | 06-07-25
Stand

Modifications reserved
Änderungen vorbehalten
Modifications réservées
Salvo modificaciones

Information subject to change without further notice.