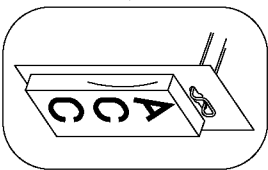
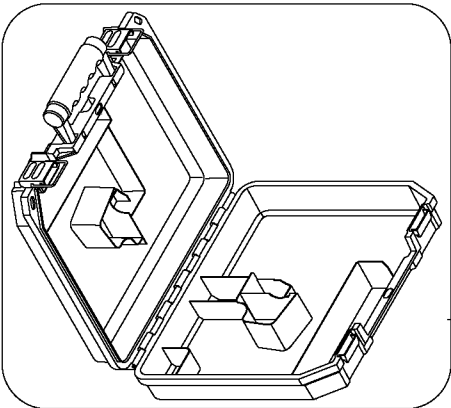


856



861



## Parts List for RS150K Type 1

Item Number	Part Number	Description	Qty Required
1	000000-00	No Longer Available	1
2	000000-00	No Longer Available	1
3	000000-00	No Longer Available	1
4	000000-00	No Longer Available	1
5	000000-00	No Longer Available	1
6	000000-00	No Longer Available	1
7	000000-00	No Longer Available	1
8	000000-00	No Longer Available	1
9	000000-00	No Longer Available	1
856	391023-00	DRYWALL BIT	1
856	DW6605	DRYWALL BIT	1
856	DW6601	GENERAL PURPOSE BIT	1
861	000000-00	No Longer Available	1