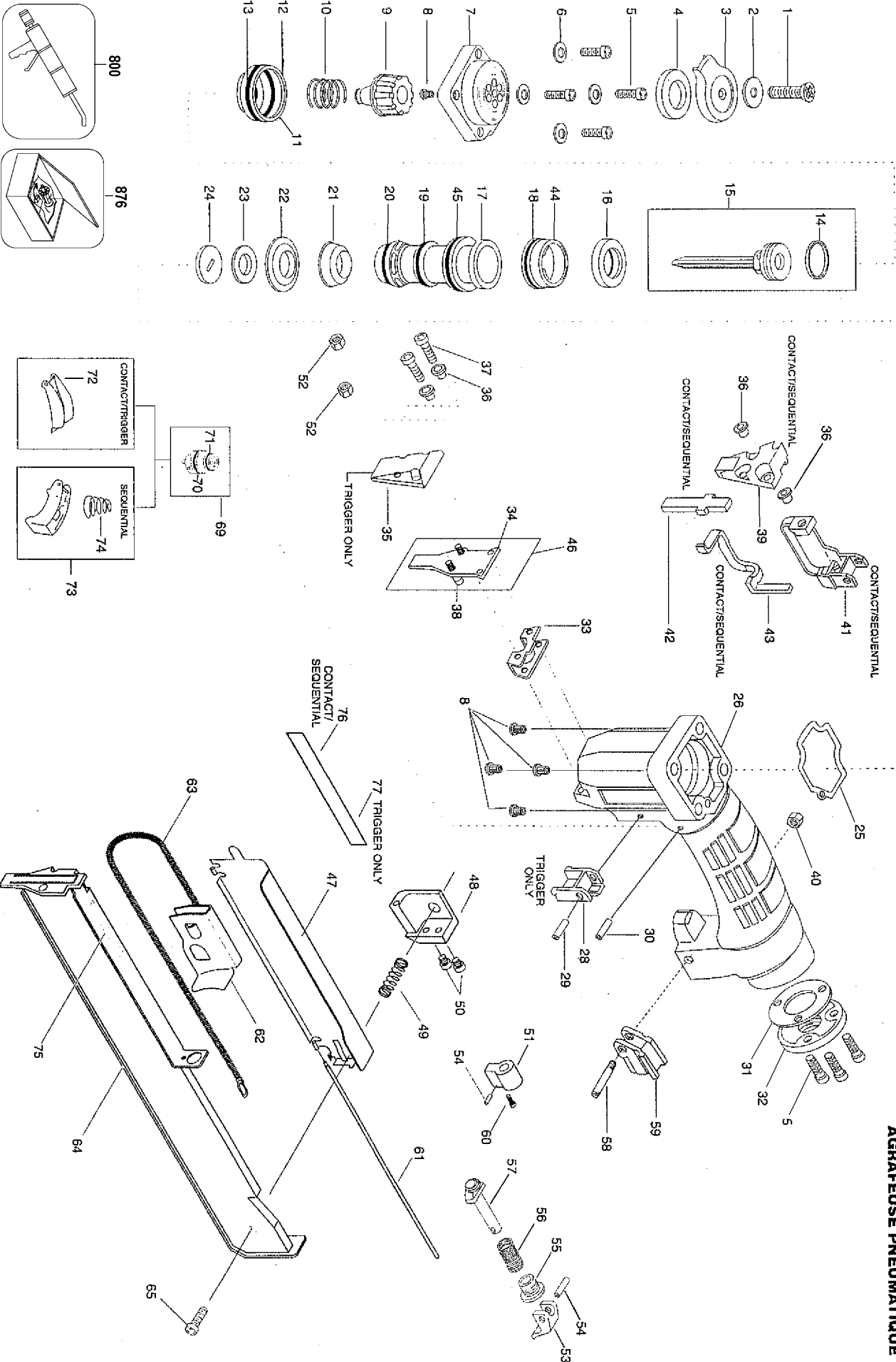


**S32SXL M**  
**PNEUMATIC STAPLER**  
**ENGRAPADORA NEUMÁTICA**  
**AGRAFEUSE PNEUMATIQUE**



IP1094-1REV B  
 USE WITH PARTS LIST IP1094-2 AND OPERATION & MAINTENANCE MANUAL 103693.

## Parts List for S32SXML Type 0

Item Number	Part Number	Description	Qty Required
1	100297	SCREW	1
2	S32030	WASHER- SPECIAL	1
3	S32032	COVER-EXHAUST	1
4	S32045	MUFFLER	1
5	100260	SCREW	1
6	S32186	WASHER- SPECIAL	1
7	T32010	CAP WITH INSERT	1
8	S32011	INSERT-M4	1
9	T32007	BUMPER- PISTON STOP	1
10	T32028	SPRING-HEAD VALVE	1
11	108572	O-RING-26MMX2MM	1
12	9R198720	HEAD VALVE	1
13	MRG035020	O-RING-1.378X.079	1
14	S32109	RING-PISTON	1
15	105541	ASS'Y-DRIVER/PISTON	1
16	T32031	SEAL-CYLINDER SLEEVE	1
17	S32208	SLEEVE-CYLINDER	1
18	RG161210	O-RING-1.612X.103 NB	1
19	T32080	CHECK SEAL	1
20	100353	O-RING-1.301X.070	1
21	102882	BUMPER	1
22	S32187	PLATE- FRAME	1
23	S32001	WASHER- URETHANE ORA	1
24	S32018	GUIDE-DRIVER	1
25	T32046	GASKET-FRAME/CAP	1
26	T32008A	FRAME	1
27	113218	LABEL-BOSTITCH	1

## Parts List for S32SXML Type 0

Item Number	Part Number	Description	Qty Required
28	106173	STOP-TRIGGER	1
29	100298	PIN-SPIRAL M3X30	1
30	102549	PIN-SPECIAL SPIROL M	1
31	S32141	GASKET- END CAP	1
32	S32140	CAP-END	1
33	S32017A	ASSEMBLY-NUT PLATE	1
34	104082	NOSE (SX)	1
35	104078	COVER-NOSE	1
36	S32184	SPACER	1
37	100258	SCREW	1
38	104086	PIN-NOSE	1
39	000000-00	No Longer Available	1
40	MHE4070-100	ELASTIC STOP NUT-M4	1
41	104527	ASSEMBLY-ARM GUIDE	1
42	S32120	ARM-LOWER CONTACT	1
43	S32127	ARM-UPPER CONTACT	1
44	S32211	RING-CYLINDER SLEEVE	1
45	100817	O-RING-1.299X.103	1
46	104559	ASSEMBLY-NOSE (SX)	1
47	104528	ASSEMBLY-TOP GUIDE	1
48	000000-00	No Longer Available	1
49	103191	SPRING-COMPRESSION	1
50	MSC4070-6	SCREW-SHCS-M4X0.70X6	1
51	104123	HOUSING-LATCH SPRING	1
52	MHE5080-100	NUT-NYLON M5X.80	1
53	000000-00	No Longer Available	1
54	100200	PIN	1

## Parts List for S32SXML Type 0

Item Number	Part Number	Description	Qty Required
55	000000-00	No Longer Available	1
56	000000-00	No Longer Available	1
57	000000-00	No Longer Available	1
58	S32066	PIN-SPECIAL	1
59	000000-00	No Longer Available	1
60	MSC4070-10	SCREW-SHCS-M4X0.70X1	1
61	104150	PIN-TOP GUIDE	1
62	104124	PUSHER (SX)	1
63	000000-00	No Longer Available	1
64	000000-00	No Longer Available	1
65	106063	STUD	1
69	TVA5	TRIGGER VLV KIT	1
70	851554	O-RING-.703X.103	1
71	86459	O-RING	1
72	CNTK2	KIT-CONTACT TRIP CON	1
73	SEQ6	KIT-SEQUENTIAL	1
74	100387	SPRING-COMPRESSION	1
75	100299	LABEL	1
76	159911	LABEL-WARNING-CT/ST	1
77	159914	LABEL-WARNING-T.O.	1
800	100653	LUBE (2CC)	1
800	100679	LUBE (1LB.CAN)	1
876	ORK10	REPAIR KIT	1
876	RBK14	BT35/50 S32/PC5000 K	1