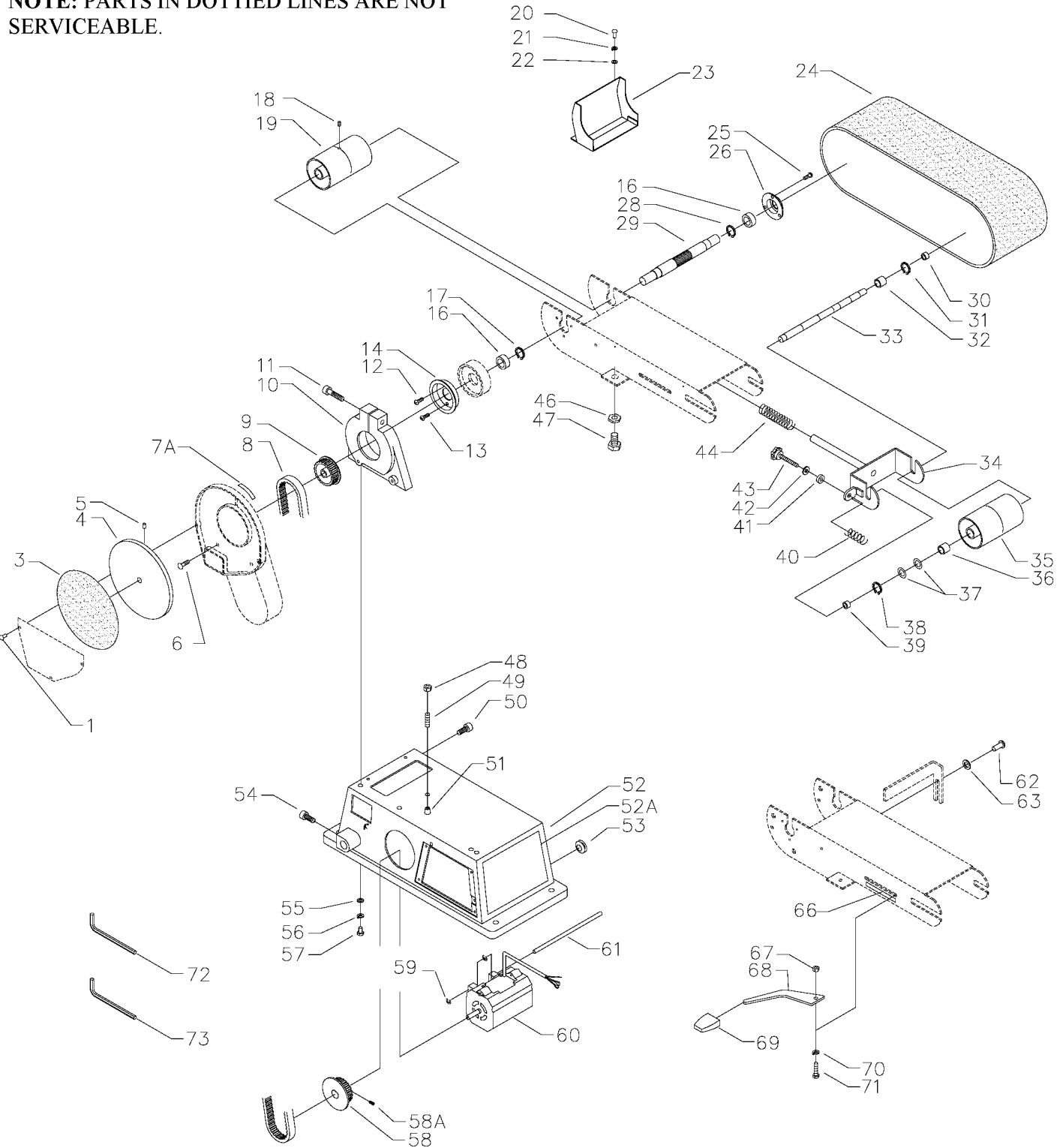
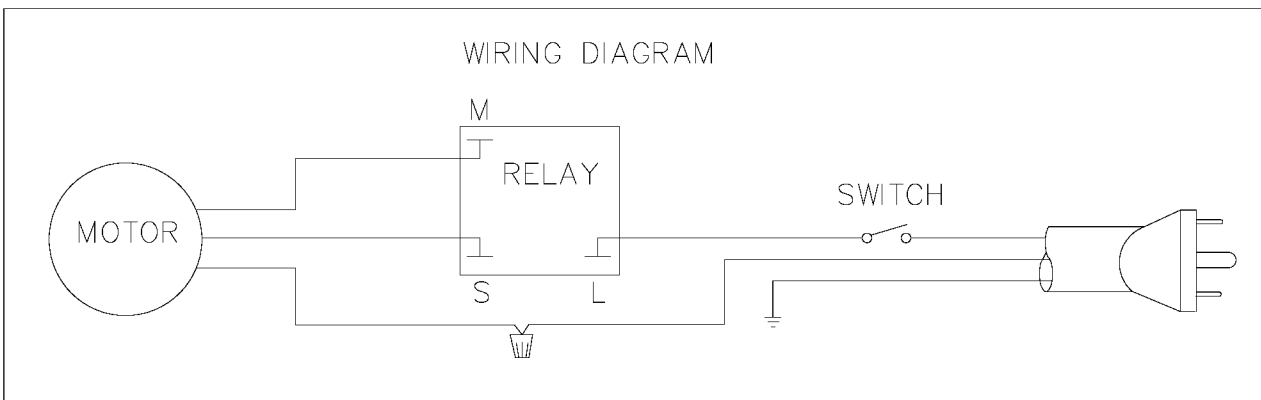
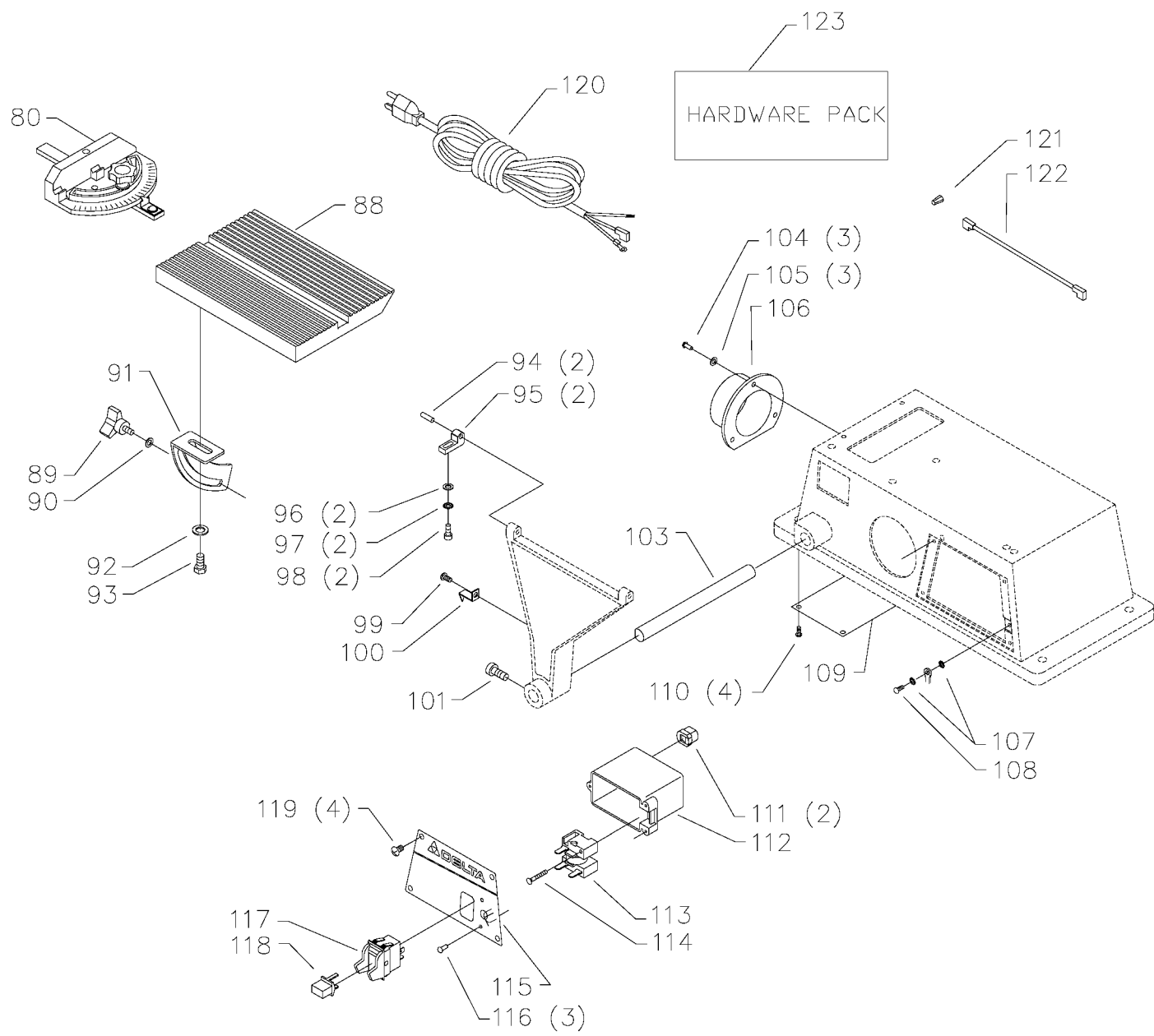


NOTE: PARTS IN DOTTIED LINES ARE NOT SERVICEABLE.





Parts List for SA446 Type 1

Item Number	Part Number	Description	Qty Required
1	488974-00	PAN HEAD SCREW	3
4	491911-00	DISC	1
5	491950-00	SET SCREW	1
6	1246090	MACH.SCREW	2
7	491924-00	GUARD	1
7	491834-00	ROTATION LABEL	1
8	491937-00	BELT	1
9	5140051-34	PULLEY & SHAFT	1
10	491951-00	BRACKET	1
11	1243554	SCREW	1
12	1343053	SCREW	1
13	90513860	SCREW	3
14	1347204	RETAINER	1
16	330003-64	BALL BEARING	2
17	491890-00	RING	1
18	491950-00	SET SCREW	2
19	491897-00	DRUM	1
20	1343053	SCREW	2
21	488808-00	LOCK WASHER	2
22	1246102	FL.WASHER	2
23	491927-00	DUST CHUTE	1
25	901021403712	SCREW	3
26	491898-00	RETAINER	1
28	491890-00	RING	1
29	5140051-34	PULLEY & SHAFT	1
30	491901-00	WASHER	1
31	491890-00	RING	1

Parts List for SA446 Type 1

Item Number	Part Number	Description	Qty Required
32	642994-00	BUSHING	1
33	491902-00	SHAFT	1
34	491904-00	BRACKET	1
35	491966-00	DRUM	1
36	642994-00	BUSHING	1
37	491918-00	WASHER	1
38	491890-00	RING	1
39	491901-00	WASHER	1
40	491903-00	SPRING	1
41	492055-00	WASHER	1
42	491905-00	WASHER	1
43	491906-00	KNOB	1
44	491899-00	SPRING	1
46	491909-00	NUT	1
47	491970-00	SCREW	1
48	330015-03	NUT,HEX	1
49	491936-00	SPECIAL SCREW	1
50	1246054	CAP SCREW	1
51	1347209	BUMPER	1
52	491952-00	BASE	1
52	491832-00	WARNING LABEL	1
53	1341544	GROMMET	1
54	1246054	CAP SCREW	1
55	488822-00	FLAT WASHER	2
56	488813-00	LOCK WASHER	2
57	491889-00	SCREW HEX HEAD	2
58	491938-00	MOTOR PULLEY	1

Parts List for SA446 Type 1

Item Number	Part Number	Description	Qty Required
58	491922-00	SET SCREW	1
59	492051-00	RING	2
60	491939-00	MOTOR 1PH .33HP	1
61	491932-00	SUPPORT ROD	1
62	901010600611S	CAP SCREW	1
63	904010101604S	STEEL WASHER	1
66	491833-00	LABEL	1
67	491930-00	NUT	1
68	90519662	LEVER ASSEMBLY	1
69	000000-00	No Longer Available	1
70	491957-00	LOCK WASHER	1
71	901010600623	CAP SCREW	1
72	491940-00	HEX WRENCH	1
73	491916-00	HEX WRENCH	1
80	000000-00	No Longer Available	1
88	491953-00	TABLE ASSY.	1
89	491829-00	KNOB	1
90	5140010-69	WASHER	1
91	491910-00	SCALE	1
92	491956-00	WASHER	1
93	489047-00	CAP SCREW	1
94	492053-00	PIN	2
95	492054-00	SUPPORT	2
96	5140010-69	WASHER	2
97	491958-00	LOCK WASHER	2
98	901030100224	CAP SCREW	2
99	491948-00	SCREW	1

Parts List for SA446 Type 1

Item Number	Part Number	Description	Qty Required
100	491828-00	POINTER	1
101	1246054	CAP SCREW	1
103	492052-00	SUPPORT ROD	1
104	1343053	SCREW	3
105	1246102	FL. WASHER	3
106	491954-00	DUST SPOUT	1
107	491958-00	LOCK WASHER	1
108	1341235	SCREW	1
108	1341235	SCREW	1
109	491934-00	COVER	1
110	1246047	MACH SCREW	4
111	489133-00	STRAIN RELIEF	2
112	491915-00	SWITCH BOX	1
113	491913-00	RELAY	1
114	491919-00	SCREW	1
116	488974-00	PAN HEAD SCREW	3
117	489105-00	SWITCH	1
118	489105-00	SWITCH	1
118	1343758	KEY	1
119	488829-00	SCREW	4
120	1341566	CORD	1
121	488979-00	WIRE NUT	1
122	491935-00	JUMPER WIRE	1
123	492987-00	HARDWARE PACK	1