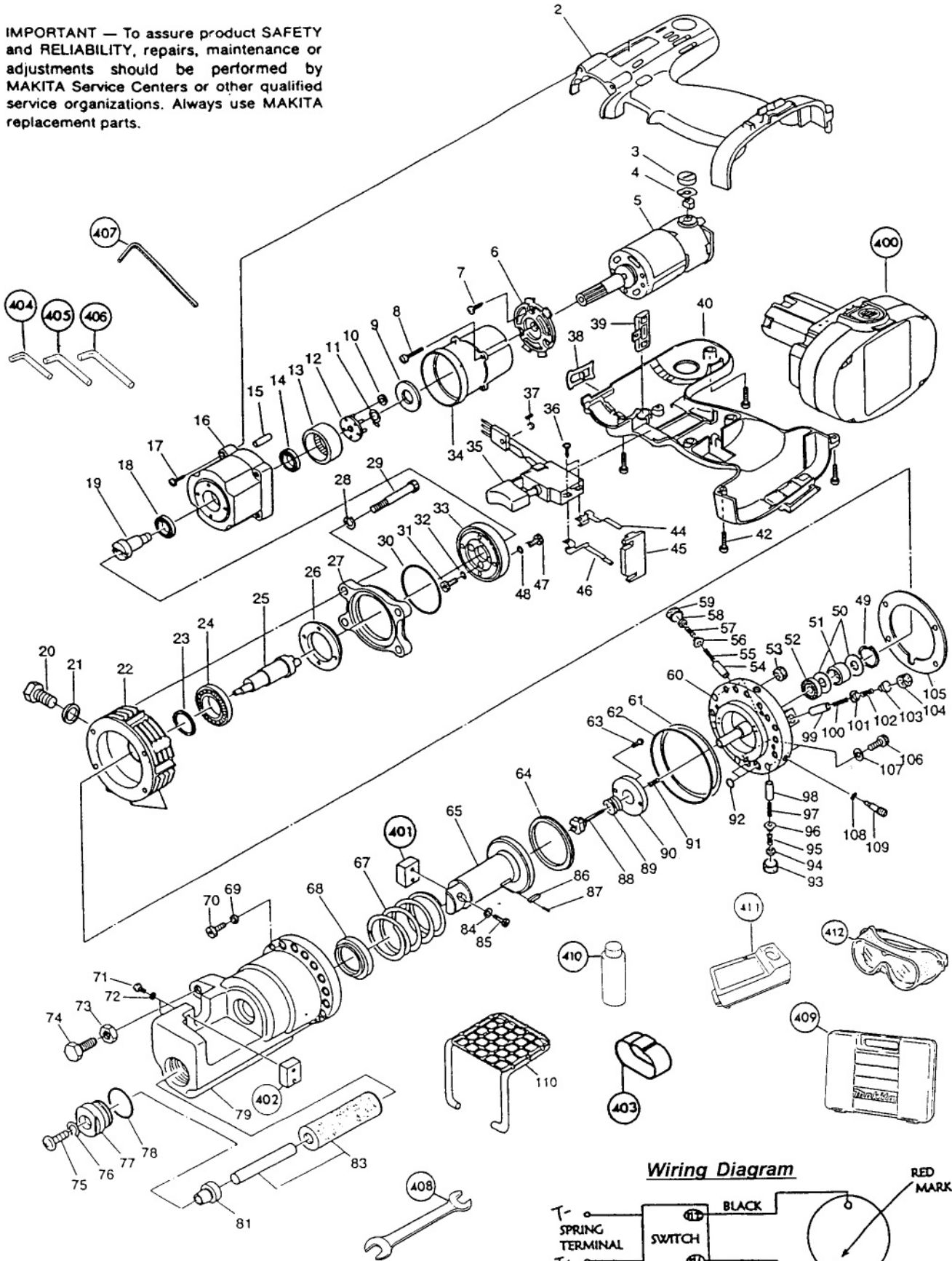




# CORDLESS STEEL ROD CUTTER

Model SC190DWDE

**IMPORTANT** — To assure product **SAFETY** and **RELIABILITY**, repairs, maintenance or adjustments should be performed by **MAKITA** Service Centers or other qualified service organizations. Always use **MAKITA** replacement parts.



**Wiring Diagram**

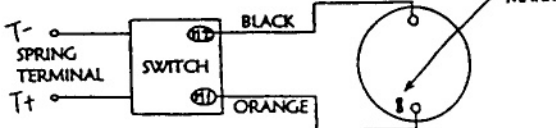


Fig.	Part No.	Qty. Used	Description	Fig.	Part No.	Qty. Used	Description
2	183032-3	1	HOUSING SET (Incl. Fig. 40)	61	SC06503260	1	BACK UP RING G70
3	643954-4	2	HOLDER CAP	62	SC06505350	1	O RING for Cylinder G70
4	191971-3	1	CARBON BRUSH CB-430 SET	63	922102-1	2	H.S.H. BOLT M4x6
5	629743-1	1	DC MOTOR (Incl. Fig. 3 & 4)	64	SC00000096	1	ROD PACKING
6	317069-0	1	MOTOR BRACKET	65	SC03112300	1	CUTTER ROD
7	266134-1	3	TAPPING SCREW ST 4x8	67	SC04000050	1	RETURN SPRING (for Cutter Rod)
8	911017-7	4	P.H. SCREW M3x12	68	SC06503510	1	DUST SEAL
9	267187-3	1	FLAT WASHER 16	69	SC07620040	11	WASHER HW8
10	226368-8	5	SPUR GEAR 14	70	922441-9	11	H.S.H. BOLT M8x25
11	961004-6	1	RETAINING RINGS-8	71	SC00000057	2	H.S.H. BOLT 6x18
12	152594-2	1	CARRIER COMPLATE	72	941151-9	2	FLAT WASHER 6
13	226397-1	1	INTERNAL GEAR 45	73	931601-2	1	HEX. NUT M12
14	211136-2	1	BALL BEARING 6801LLB	74	SC00000134	1	HOLD BOLT
15	256054-7	1	PIN 4	75	SC00000034	1	WOOD SCREW 5x60
16	317324-0	1	GEAR CASE B	76	942201-3	1	SPRING WASHER 8
17	265999-8	4	TAPPING SCREW 4x25	77	SC03507010	1	BUSHING HOLDER
18	211136-2	1	BALL BEARING 6801LLB	78	SC06505320	1	O RING P26
19	323970-9	1	SPINDLE	79	SC03103200	1	BAR HOLDER
20	921522-6	1	HEX. BOLT M10x16	81	SC03507000	1	BUSHING
21	SC00000056	1	SEALING WASHER	83	SC09004910	1	OIL LEVELER SACK
22	SC03213500	1	PUMP CASE	84	941101-4	2	FLAT WASHER 5
23	SC00000054	1	OIL SEAL	85	SC00000098	2	H.S.H. BOLT 5x15
24	SC00000050	1	BALL BEARING 6002RU	86	SC00000030	1	KEY
25	SC03501390	1	ECCENTRIC SHAFT	87	SC00000070	1	SPRING PIN 2.5x10
26	SC03251400	1	THRUST FIXING FLANGE	88	SC03500310	1	RELEASE VALVE
27	SC03221700	1	MOTOR FLANGE	89	SC00000032	1	VALVE RETURN SPRING
28	941152-7	4	FLAT WASHER 6	90	SC00000481	1	STOPPER PLATE #45423
29	922382-9	4	H.S.H. BOLT M6x60	91	SC00000023	1	RELEASE VALVE SPRING
30	SC06505500	1	O RING S60	92	SC06505010	2	O RING P6
31	922127-5	4	H.S.H. BOLT M4x16	93	SC00000076	1	URETHAN PACKING
32	941052-1	4	FLAT WASHER 4	94	SC00000018	1	SPRING SUPPORTER
33	SC03222300	1	MOTOR MOUNTING FLANGE	95	SC00000021	1	CHECK VALVE SPRING
34	416628-8	1	GEAR CASE A	96	SC00000017	1	CHECK VALVE
35	651968-9	1	SWITCH C3LA-2A	97	SC00000022	1	PISTON RETURN SPRING
36	652038-7	2	P.H. SCREW M3x8	98	SC00000015	1	PISTON
37	911006-2	1	P.H. SCREW M3x8	99	SC00000015	1	PISTON
38	417151-6	1	COVER	100	SC00000022	1	PISTON RETURN SPRING
39	417150-8	1	LOCK LEVER	101	SC00000017	1	CHECK VALVE
40	183032-3	1	HOUSING SET (Incl. Fig. 2)	102	SC00000021	1	CHECK VALVE SPRING
42	266130-9	8	T. SCREW BIND PT 3x16	103	SC00000018	1	SPRING SUPPORTER
44	654168-0	1	SPRING TERMINAL (+)	104	SC00000076	1	URETHAN PACKING
45	687085-9	1	HOLDER	105	SC04601470	1	LINER B
46	654169-8	1	SPRING TERMINAL (-)	106	922432-0	3	H.S.H. BOLT M8x20
47	922127-5	4	H.S.H. BOLT M4x16	107	941202-8	3	FLAT WASHER 8
48	941052-1	4	FLAT WASHER 4	108	SC06505300	1	O RING S4
49	SC07411020	1	RETAINING RING RTW-26	109	SC03501420	1	RETURN BULB
50	SC00000019	2	NEEDLE BEARING SUPPORTER	110	SC03505570	1	PROTECTIVE COVER
51	SC00000048	1	NEEDLE BEARING	<u>ACCESSORIES</u>			
52	SC00000049	1	BALL BEARING 608	400	193159-1	2	NI-MH BATTERY 1834(2.6A)
53	SC00000020	3	MAGNET	401	SC00000580	1	CUTTER BLADE SET (Incl. Fig. 402)
54	SC00000015	1	PISTON	402	SC00000580	1	CUTTER BLADE SET (Incl. Fig. 401)
55	SC00000022	1	PISTON RETURN SPRING	403	414938-7	2	BATTERY COVER
56	SC00000017	1	CHECK VALVE	404	783201-2	1	HEX WRENCH 3
57	SC00000021	1	CHECK VALVE SPRING				
58	SC00000018	1	SPRING SUPPORTER				
59	SC00000076	1	URETHAN PACKING				
60	SC03206100	1	CYLINDER				

Fig.	Part No.	Qty. Used	Description	Fig.	Part No.	Qty. Used	Description
405	783202-0	1	HEX. WRENCH 4	409	SC08100920	1	PLASTIC CARRYING CASE
406	783203-8	1	HEX. WRENCH 5	410	SC00000106	1	OIL 35CC
407	783204-6	1	HEX. WRENCH 6	411	DC1801	1	18V UNIVERSAL CHARGER
408	781212-1	1	WRENCH 17-19	412	191686-2	1	SAFETY GOGGLES

09-00

3 Model SC190DWDE